



ABB

OEM Instrument Transformer Reference

INDEX

Primary Current	Window Diameter (in.)	Type	Product Bulletin	Page No.
600 VOLT CURRENT TRANSFORMERS				
50 to 1000	2.50	IMC	42-810	2-3
200 to 4000	4.25	SCE	42-863	2-3
200 to 3000	4.00	SCN	42-866	4-5
200 to 3000	4.00	SCN-D	42-866	4-5
50 to 1000	1.50 to 3.75	SCH	42-864	6-9
50 to 4000	2.25 to 4.62	SCG	42-865	8-11
200 to 4000	5.75	SCM	42-868	12-13
200 to 4000	5.75	SCL	42-867	12-13
200 to 4000	5.75	SCL-D	42-867	14-15
200 to 5000	5.75	SCO	42-869	14-15
600 to 4000	5.50	CLC	42-824	16-17
1000 to 6000	8.25	CLE	42-826	18-19
600 to 4000	5.50	RLC	42-828	20-21
50 to 5000	5.5 & 6.5	RCI	42-881	22-23
200 to 4000	4.50 & 5.25	SCB	42-883	24-25
200 to 4000	4.50	RCB	42-885	26-27
200 to 4000	5.75	SCA	42-882	28-29
200 to 4000	5.75	RCA	42-884	30-31
200 to 4000	3.05 & 3.80	SCJ	42-886	32-33
100 to 2500	1.63 & 2.00	SCS	42-887	34-35
50 to 6000	6.0 to 8.13	SCP	42-888	36-37
50 to 6000	6.00 to 8.13	SCD	42-880	38-39
Multi Ratio		AUX	42-850	40-41
LOW VOLTAGE SWITCHGEAR CTs				
100 to 6000		DSM	42-862	42-43
MEDIUM VOLTAGE SWITCHGEAR CTs				
50 to 4000	4.00 to 7.00	RCT	42-854	44-45
150 to 4000	4.00 to 7.00	RTL	42-855	46-47
50 to 100	4.75	BYZ	42-856	48-49
50 to 100	7.25	BYZ-S	42-861	48-49
75 to 6000	6.50	SCV	42-860	50-51
50 to 6000	6.50	SCV-D	42-860A	52-53
50 to 5000	5.25	SAB-1	42-878	54-55
50 to 5000	6.50	SAB-2	42-878	54-55
1500 to 5000	5.25	SAB-1D	42-878	56-57
1500 to 5000	6.50	SAB-2D	42-878	56-57
50 to 4000	7.02	SCR	42-879	58-59
50 to 4000	7.02	SCR-D	42-879	60-61

Primary Voltage/Current	Class	Type	Product Bulletin	Page No.
600 VOLT VOLTAGE TRANSFORMERS				
69.4 to 600	Indoor	PPD	42-872	62-63
240 to 600	Indoor/Outdoor	PPM	42-873	62-63
69.4 to 480	Indoor/Outdoor	PPX		62-63
5kV - 36kV CURRENT TRANSFORMERS				
5 to 1200A	5, 8.7 kV Indoor	KIR-60/75	42-914	64-65
5 to 1200A	15 kV Indoor	KIR-11	42-914	66-67
200 to 5000A	15-36 kV Outdoor	KOTD	42-940	68-71
5kV - 34.5kV VOLTAGE TRANSFORMERS				
2400 TO 4800	5 kV Indoor	VIY-60	42-951	72-73
2400 to 14400	8.7, 15 kV Indoor	VIZ-75/11	42-955	74-77
14400 to 24000	25 kV Indoor	VIY/VIZ-12G	42-976A	78-79
14400 to 24000	25 kV Indoor	VIZ-12/15/15G	42-976	80-83
20125 to 34500	34.5 kV Indoor	VIZ-20/20G	42-960	84-85
18000 to 24000	25 kV Indoor	VIZZ-15/15G	42-959	86-87
12000 to 24940	25 kV Outdoor	VOY-15, 15G	42-970	88-89
27600 to 34500	25 kV Outdoor	VOY-20, 20G		90-91
20125 to 34500	36 kV Outdoor	VOHD-200, 200G	42-977	92-93
12000 to 24940	25 kV Outdoor	VOZZ-15, 15G	42-978	92-93
27600 to 34500	36 kV Outdoor	VOZZ-20, 20G	42-979	94-95
Circuit Breaker Application Guide				96-97
Accuracy Standards				98-99
Cross Reference				98-99
Standard Current Transformer Multi-Ratio Taps				100

600V CURRENT TRANSFORMERS

TYPE IMC



U.L. Recognized
File No. E96461

600 Volts, Indoor
10 kV BIL, 25 thru 400 Hz

Mechanical Rating:
180 x Normal



Wt. - 3.5 lbs.

Primary Current Rating	Style Number	IEEE Meter	
		B0.1	B0.2
50	7524A98G11	2.4	
100	7524A98G01	1.2	
150	7524A98G02	1.2	1.2
200	7524A98G03	0.6	1.2
250	7524A98G04	0.6	1.2
300	7524A98G05	0.6	0.6
400	7524A98G06	0.6	0.6
500	7524A98G07	0.3	0.3
600	7524A98G08	0.3	0.3
800	7524A98G09	0.3	0.3
1000	7524A98G10	0.3	0.3

TYPE SCE



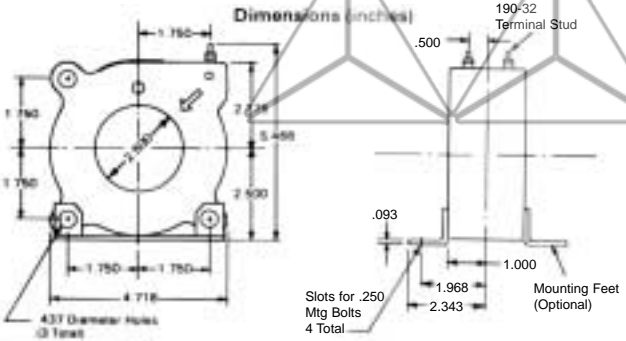
U.L. Recognized
File No. E96461

600 Volts, Indoor
10 kV BIL, 25 thru 400 Hz

Mechanical Rating:
180 x Normal

Primary Current Rating	Style Number	IEEE Meter	
		B0.1	B0.2
200	7525A44G01	1.2	1.2
300	7525A44G02	0.6	0.6
400	7525A44G03	0.3	0.6
500	7525A44G05	0.3	0.3
600	7525A44G06	0.3	0.3
800	7525A44G08	0.3	0.3
1000	7525A44G09	0.3	0.3
1200	7525A44G10	0.3	0.3
1500	7525A44G11	0.3	0.3
1600	7525A44G12	0.3	0.3
2000	7525A44G13	0.3	0.3
2500	7525A44G14	0.3	0.3
3000	7525A44G15	0.3	0.3
4000	7525A44G17	0.3	0.3

PB 42-810



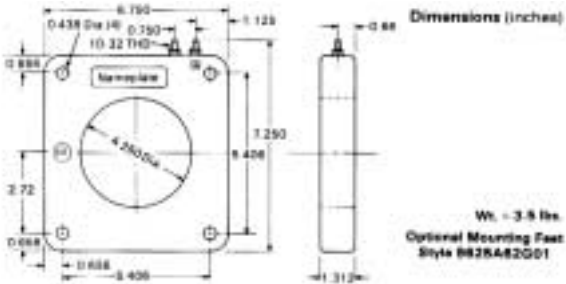
Accuracy
B0.5 B0.9 B1.8

Rating Factor
(30°C Amb.)

Thermal Rating
(x Normal, 1 sec.)

			2.0	100
			2.0	100
			2.0	100
2.4			2.0	100
2.4			2.0	100
0.6			2.0	100
0.6	0.6	2.4	2.0	100
0.6	0.3	2.4	2.0	100
0.6	0.3	1.2	1.5	80
0.3	0.3	0.6	1.33	60
0.3	0.3	0.6	1.0	50

PB 42-863



Accuracy
B0.5 B0.9 B1.8

Rating Factor
(30°C Amb.)

Thermal Rating
(x Normal, 1 sec.)

			2.0	100
1.2	2.4		2.0	100
1.2	1.2	2.4	2.0	100
0.6	1.2	2.4	2.0	100
0.6	0.6	1.2	1.5	80
0.3	0.6	0.6	1.33	60
0.3	0.3	0.6	1.33	60
0.3	0.3	0.6	1.33	60
0.3	0.3	0.6	1.33	60
0.3	0.3	0.6	1.33	60
0.3	0.3	0.3	1.33	60
0.3	0.3	0.3	1.33	60
0.3	0.3	0.3	1.33	60
0.3	0.3	0.3	1.0	50

600V CURRENT TRANSFORMERS

TYPE SCN



600 Volts, Indoor
10 kV BIL, 25 thru 400 Hz
Mechanical Rating:
180 x Normal

Primary Current Rating	Style Number	IEEE Meter	
		B0.1	B0.2
200	7526A79G01	1.2	1.2
300	7526A79G02	0.6	0.6
400	7526A79G03	0.3	0.3
600	7526A79G04	0.3	0.3
800	7526A79G05	0.3	0.3
1000	7526A79G06	0.3	0.3
1200	7526A79G07	0.3	0.3
1500	7526A79G08	0.3	0.3
2000	7526A79G09	0.3	0.3
2500	7526A79G10	0.3	0.3
3000	7526A79G11	0.3	0.3

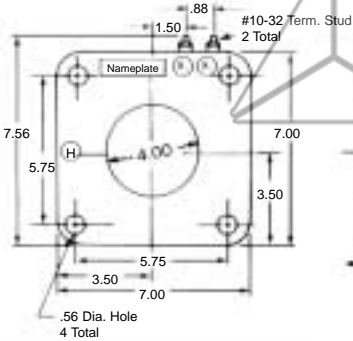
TYPE SCN-D



600 Volts, Indoor
10 kV BIL, 25 thru 400 Hz
Mechanical Rating:
180 x Normal

Primary Current Rating	Style Number	IEEE Meter	
		B0.1	B0.2
200	7526A80G01	1.2	1.2
300	7526A80G02	0.6	0.6
400	7526A80G03	0.3	0.3
600	7526A80G04	0.3	0.3
800	7526A80G05	0.3	0.3
1000	7526A80G06	0.3	0.3
1200	7526A80G07	0.3	0.3
1500	7526A80G08	0.3	0.3
2000	7526A80G09	0.3	0.3
2500	7526A80G10	0.3	0.3
3000	7526A80G11	0.3	0.3

PB 42-866



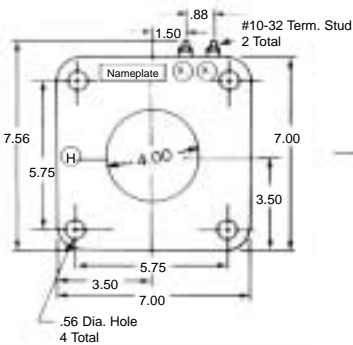
Dimensions (inches)

Wt. - 9 lbs.

Optional Mounting Feet
Style 9625A66G01

Accuracy	Rating	Relay	Rating	Thermal
B0.5	B0.9	B1.8	Accuracy	Rating
			Factor	(x Normal, 1 sec.)
			(30°C Amb.)	
2.4			C10	100
1.2	2.4		C10	100
0.6	1.2	2.4	C20	100
0.3	0.6	1.2	C20	100
0.3	0.6	1.2	C20	80
0.3	0.3	0.6	C50	60
0.3	0.3	0.6	C50	60
0.3	0.3	0.6	C50	60
0.3	0.3	0.3	C50	60
0.3	0.3	0.3	C50	60
0.3	0.3	0.3	C50	60

PB 42-866



Dimensions (inches)

Wt. - 12.5 lbs.

Optional Mounting Feet
Style 9625A66G02

Accuracy	Rating	Relay	Rating	Thermal
B0.5	B0.9	B1.8	Accuracy	Rating
			Factor	(x Normal, 1 sec.)
			(30°C Amb.)	
2.4			C20	100
1.2			C20	100
0.6	1.2	2.4	C50	100
0.3	0.6	0.6	C50	100
0.3	0.6	0.6	C50	80
0.3	0.3	0.6	C50	60
0.3	0.3	0.6	C100	60
0.3	0.3	0.3	C100	60
0.3	0.3	0.3	C100	60
0.3	0.3	0.3	C100	60
0.3	0.3	0.3	C100	60

600V CURRENT TRANSFORMERS

TYPE SCH



U.L. Recognized





File No. E96461

600 Volts, Indoor

10 kV BIL, 25 thru 400 Hz

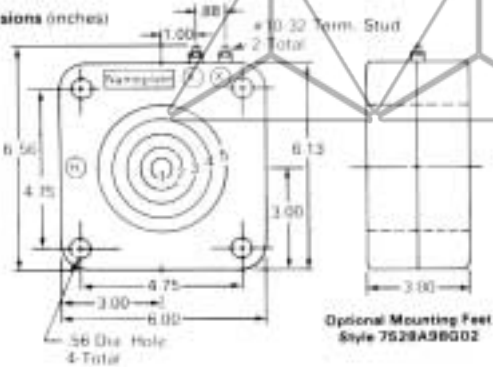
Mechanical Rating:

180 x Normal

	Primary Current Rating	Style Number	IEEE Meter B0.1 B0.2	
Type SCH-1 (1.50" Window)				
 <p>wt. = 15 lbs.</p>	50	7525A31G01	2.4	2.4
	75	7525A31G02	1.2	1.2
	100	7525A31G03	0.6	1.2
	150	7525A31G04	0.3	0.6
	200	7525A31G05	0.3	0.3
	250	7525A31G06	0.3	0.3
	300	7525A31G07	0.3	0.3
	400	7525A31G08	0.3	0.3
Type SCH-2 (2.25" Window)				
 <p>wt. = 13 lbs.</p>	75	7525A32G02	1.2	2.4
	100	7525A32G03	0.6	1.2
	150	7525A32G04	0.3	0.6
	200	7525A32G05	0.3	0.3
	250	7525A32G06	0.3	0.3
	300	7525A32G07	0.3	0.3
	400	7525A32G08	0.3	0.3
	500	7525A32G09	0.3	0.3
	600	7525A32G10	0.3	0.3
	Type SCH-3 (3.00" Window)			
 <p>wt. = 11 lbs.</p>	100	7525A33G03	0.6	1.2
	150	7525A33G04	0.6	0.6
	200	7525A33G05	0.3	0.6
	250	7525A33G06	0.3	0.3
	300	7525A33G07	0.3	0.3
	400	7525A33G08	0.3	0.3
	500	7525A33G09	0.3	0.3
	600	7525A33G10	0.3	0.3
	800	7525A33G12	0.3	0.3
	Type SCH-4 (3.375" Window)			
 <p>wt. = 9 lbs.</p>	150	7525A34G04	0.6	0.6
	200	7525A34G05	0.6	0.6
	250	7525A34G06	0.3	0.3
	300	7525A34G07	0.3	0.3
	400	7525A34G08	0.3	0.3
	500	7525A34G09	0.3	0.3
	600	7525A34G10	0.3	0.3
	800	7525A34G12	0.3	0.3

PB 42-864

Dimensions (inches)



Accuracy			Relay Accuracy	Rating Factor (30°C Amb.)	Thermal Rating (x Normal, 1 sec.)
B0.5	B0.9	B1.8			

			C10	2.0	100
2.4			C10	2.0	100
2.4	2.4		C20	2.0	100
1.2	1.2	2.4	C20	2.0	100
0.6	1.2	1.2	C20	2.0	100
0.3	0.6	1.2	C50	1.5	80
0.3	0.3	0.6	C50	1.5	80
0.3	0.3	0.3	C100	1.5	80


			C10	2.0	100
2.4			C10	2.0	100
1.2	2.4	2.4	C20	2.0	100
0.6	1.2	2.4	C20	2.0	100
0.3	0.6	1.2	C20	2.0	100
0.3	0.6	1.2	C50	2.0	100
0.3	0.3	0.6	C50	1.5	80
0.3	0.3	0.3	C50	1.5	80
0.3	0.3	0.3	C100	1.5	80

			C10	2.0	100
2.4			C10	2.0	100
1.2	2.4		C10	2.0	100
0.6	1.2	2.4	C20	2.0	100
0.6	1.2	1.2	C20	2.0	100
0.6	0.6	1.2	C20	2.0	100
0.3	0.6	0.6	C50	2.0	100
0.3	0.3	0.6	C50	1.5	80
0.3	0.3	0.3	C50	1.5	80
0.3	0.3	0.3	C100	1.33	60

			C10	2.0	100
1.2	2.4		C10	2.0	100
1.2	2.4		C10	2.0	100
0.6	1.2	2.4	C20	2.0	100
0.6	1.2	2.4	C20	2.0	100
0.3	0.6	0.6	C20	2.0	100
0.3	0.3	0.6	C20	1.5	80
0.3	0.3	0.6	C50	1.5	80
0.3	0.3	0.3	C50	1.33	60

600V CURRENT TRANSFORMERS

TYPE SCH CONT'D.

	Primary Current Rating	Style Number	IEEE Meter	
			B0.1	B0.2
Type SCH-5 (3.75" Window)				
 wt. = 8.5 lbs.	150	7525A35G04	0.6	1.2
	200	7525A35G05	0.6	0.6
	250	7525A35G06	0.3	0.6
	300	7525A35G07	0.3	0.3
	400	7525A35G08	0.3	0.3
	500	7525A35G09	0.3	0.3
	600	7525A35G10	0.3	0.3
	800	7525A35G12	0.3	0.3
	1000	7525A35G13	0.3	0.3

TYPE SCG



U.L. Recognized


File No. E96461

600 Volts, Indoor


10 kV BIL, 25 thru 400 Hz

Mechanical Rating:

180 x Normal

	Primary Current Rating	Style Number	IEEE Meter	
			B0.1	B0.2
Type SCG-1 (2.25" Window)				
 wt. = 27 lbs.	50	7525A26G01	2.4	2.4
	75	7525A26G02	1.2	1.2
	100	7525A26G03	0.6	1.2
	150	7525A26G04	0.3	0.6
	200	7525A26G05	0.3	0.3
	250	7525A26G06	0.3	0.3
	300	7525A26G07	0.3	0.3
	400	7525A26G08	0.3	0.3
	500	7525A26G09	0.3	0.3
600	7525A26G10	0.3	0.3	

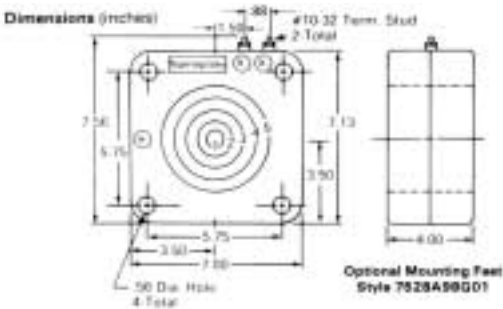
Type SCG-2 (2.75" Window)

 wt. = 23 lbs.	50	7525A27G01	2.4	
	75	7525A27G02	1.2	1.2
	100	7525A27G03	0.6	1.2
	150	7525A27G04	0.3	0.6
	200	7525A27G05	0.3	0.3
	250	7525A27G06	0.3	0.3
	300	7525A27G07	0.3	0.3
	400	7525A27G08	0.3	0.3
	500	7525A27G09	0.3	0.3
	600	7525A27G10	0.3	0.3
	800	7525A27G12	0.3	0.3
	1000	7525A27G13	0.3	0.3
	1200	7525A27G14	0.3	0.3
	1500	7525A27G15	0.3	0.3

PB 42-864

Accuracy			Relay Accuracy	Rating Factor (30°C Amb.)	Thermal Rating (x Normal, 1 sec.)
B0.5	B0.9	B1.8			
			C10	2.0	100
2.4			C10	2.0	100
1.2	2.4		C10	2.0	100
1.2	2.4	2.4	C10	2.0	100
0.6	1.2	2.4	C10	2.0	100
0.3	0.6	1.2	C20	2.0	100
0.3	0.6	1.2	C20	1.5	80
0.3	0.3	0.6	C20	1.5	80
0.3	0.3	0.3	C50	1.33	60
0.3	0.3	0.3	C50	1.33	60

PB 42-865






Accuracy			Relay Accuracy	Rating Factor (30°C Amb.)	Thermal Rating (x Normal, 1 sec.)
B0.5	B0.9	B1.8			
			C10	2.0	100
2.4			C20	2.0	100
2.4	2.4		C20	2.0	100
1.2	1.2	2.4	C50	2.0	100
0.6	0.6	1.2	C50	2.0	100
0.3	0.6	1.2	C50	2.0	100
0.3	0.3	0.6	C100	2.0	100
0.3	0.3	0.3	C100	2.0	100
0.3	0.3	0.3	C100	1.5	80
0.3	0.3	0.3	C200	1.5	80

			C10	2.0	100
			C10	2.0	100
2.4	2.4		C20	2.0	100
1.2	1.2	2.4	C20	2.0	100
0.6	1.2	1.2	C50	2.0	100
0.6	0.6	1.2	C50	2.0	100
0.3	0.6	0.6	C50	2.0	100
0.3	0.3	0.6	C100	1.5	80
0.3	0.3	0.3	C100	1.5	80
0.3	0.3	0.3	C100	1.5	80
0.3	0.3	0.3	C200	1.33	60
0.3	0.3	0.3	C200	1.33	60
0.3	0.3	0.3	C200	1.33	60
0.3	0.3	0.3	C200	1.33	60

600V CURRENT TRANSFORMERS

TYPE SCG CONT'D.

	Primary Current Rating	Style Number	IEEE Meter	
			B0.1	B0.2
Type SCG-3 (3.25" Window)				
 <p>wt. = 21 lbs.</p>	50	7525A28G01	2.4	2.4
	75	7525A28G02	1.2	2.4
	100	7525A28G03	1.2	1.2
	150	7525A28G04	0.6	0.6
	200	7525A28G05	0.3	0.6
	250	7525A28G06	0.3	0.3
	300	7525A28G07	0.3	0.3
	400	7525A28G08	0.3	0.3
	500	7525A28G09	0.3	0.3
	600	7525A28G10	0.3	0.3
	800	7525A28G12	0.3	0.3
	1000	7525A28G13	0.3	0.3
	1200	7525A28G14	0.3	0.3
	1500	7525A28G15	0.3	0.3
	Type SCG-4 (4.00" Window)			
 <p>wt. = 19 lbs.</p>	50	7525A29G01	2.4	4.8
	75	7525A29G02	2.4	2.4
	100	7525A29G03	1.2	1.2
	150	7525A29G04	0.6	0.6
	200	7525A29G05	0.3	0.6
	250	7525A29G06	0.3	0.3
	300	7525A29G07	0.3	0.3
	400	7525A29G08	0.3	0.3
	500	7525A29G09	0.3	0.3
	600	7525A29G10	0.3	0.3
	800	7525A29G12	0.3	0.3
	1000	7525A29G13	0.3	0.3
	1200	7525A29G14	0.3	0.3
	1500	7525A29G15	0.3	0.3
	2000	7525A29G17	0.3	0.3
	2500	7525A29G18	0.3	0.3
	3000	7525A29G19	0.3	0.3
4000	7525A29G20	0.3	0.3	
Type SCG-5 (4.625" Window)				
 <p>wt. = 14 lbs.</p>	50	7525A30G01	2.4	4.8
	75	7525A30G02	2.4	2.4
	100	7525A30G03	1.2	2.4
	150	7525A30G04	1.2	1.2
	200	7525A30G05	0.6	0.6
	250	7525A30G06	0.3	0.6
	300	7525A30G07	0.3	0.3
	400	7525A30G08	0.3	0.3
	500	7525A30G09	0.3	0.3
	600	7525A30G10	0.3	0.3
	800	7525A30G12	0.3	0.3
	1000	7525A30G13	0.3	0.3
	1200	7525A30G14	0.3	0.3
	1500	7525A30G15	0.3	0.3
	2000	7525A30G17	0.3	0.3
	2500	7525A30G18	0.3	0.3
	3000	7525A30G19	0.3	0.3
4000	7525A30G20	0.3	0.3	

PB 42-865

Accuracy			Relay Accuracy	Rating Factor (30°C Amb.)	Thermal Rating (x Normal, 1 sec.)
B0.5	B0.9	B1.8			
			C10	2.0	100
			C10	2.0	100
2.4			C20	2.0	100
1.2	2.4	2.4	C20	2.0	100
0.6	1.2	2.4	C50	2.0	100
0.6	0.6	1.2	C50	2.0	100
0.3	0.6	1.2	C50	2.0	100
0.3	0.3	0.6	C100	2.0	100
0.3	0.3	0.3	C100	1.5	80
0.3	0.3	0.3	C100	1.5	80
0.3	0.3	0.3	C200	1.5	80
0.3	0.3	0.3	C200	1.33	60
0.3	0.3	0.3	C200	1.33	60
0.3	0.3	0.3	C200	1.33	60
			C10	2.0	100
			C10	2.0	100
2.4			C20	2.0	100
1.2	2.4		C20	2.0	100
1.2	1.2	2.4	C20	2.0	100
0.6	0.6	1.2	C20	2.0	100
0.6	1.2	1.2	C20	2.0	100
0.6	0.6	1.2	C50	2.0	100
0.3	0.3	0.6	C50	2.0	100
0.3	0.3	0.6	C50	1.5	80
0.3	0.3	0.3	C100	1.5	80
0.3	0.3	0.3	C100	1.5	80
0.3	0.3	0.3	C100	1.33	60
0.3	0.3	0.3	C100	1.33	60
0.3	0.3	0.3	C100	1.33	60
0.3	0.3	0.3	C200	1.33	60
0.3	0.3	0.3	C200	1.33	60
0.3	0.3	0.3	C200	1.33	60
0.3	0.3	0.3	C200	1.33	60
0.3	0.3	0.3	C200	1.0	60
			C10	2.0	100
	2.4		C10	2.0	100
1.2	2.4		C20	2.0	100
1.2	1.2	2.4	C20	2.0	100
0.6	1.2	2.4	C20	2.0	100
0.3	0.6	1.2	C50	2.0	100
0.3	0.6	0.6	C50	2.0	100
0.3	0.3	0.6	C50	1.5	80
0.3	0.3	0.3	C50	1.33	60
0.3	0.3	0.3	C100	1.33	60
0.3	0.3	0.3	C100	1.33	60
0.3	0.3	0.3	C50	1.33	60
0.3	0.3	0.3	C100	1.33	60
0.3	0.3	0.3	C20	1.33	60
0.3	0.3	0.3	C20	1.33	60
0.3	0.3	0.3	C20	1.0	60

600V CURRENT TRANSFORMERS

TYPE SCM



U.L. Recognized
File No. E96461

600 Volts, Indoor
10 kV BIL, 25 thru 400 Hz

Mechanical Rating:
180 x Normal

Primary Current Rating	Style Number	IEEE Meter	
		B0.1	B0.2
200	7525A36G01	2.4	
300	7525A36G02	1.2	2.4
400	7525A36G03	0.6	1.2
500	7525A36G04	0.6	0.6
600	7525A36G05	0.3	0.6
800	7525A36G06	0.3	0.3
1000	7525A36G07	0.3	0.3
1200	7525A36G08	0.3	0.3
1500	7525A36G09	0.3	0.3
1600	7525A36G10	0.3	0.3
2000	7525A36G11	0.3	0.3
2500	7525A36G12	0.3	0.3
3000	7525A36G13	0.3	0.3
4000	7525A36G14	0.3	0.3

TYPE SCN-D



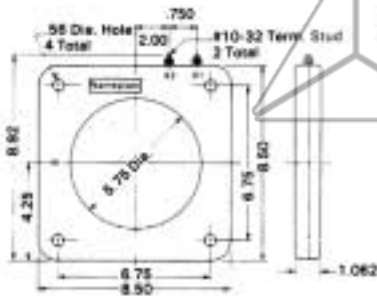
600 Volts, Indoor
10 kV BIL, 25 thru 400 Hz

Mechanical Rating:
180 x Normal

Primary Current Rating	Style Number	IEEE Meter	
		B0.1	B0.2
200	7526A81G01	1.2	1.2
300	7526A81G02	0.6	0.6
400	7526A81G03	0.6	0.6
600	7526A81G04	0.3	0.3
800	7526A81G05	0.3	0.3
1000	7526A81G06	0.3	0.3
1200	7526A81G07	0.3	0.3
1500	7526A81G08	0.3	0.3
2000	7526A81G09	0.3	0.3
2500	7526A81G10	0.3	0.3
3000	7526A81G11	0.3	0.3
4000	7526A81G12	0.3	0.3

PB 42-868

Dimensions (inches)



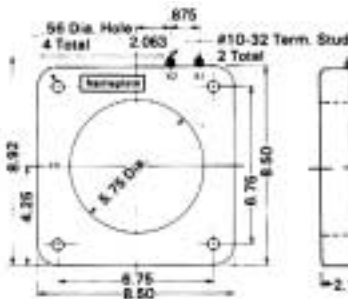
Wt. = 5 lbs.

Optional Mounting Feet
Style 9625A84G01

Accuracy			Relay Accuracy	Rating Factor (30°C Amb.)	Thermal Rating (x Normal, 1 sec.)
B0.5	B0.9	B1.8			
			—	1.33	60
			C5	1.33	60
2.4			C5	1.33	60
1.2	2.4		C5	1.33	60
1.2	2.4		C10	1.33	60
0.6	1.2		C10	1.33	60
0.6	0.6	1.2	C10	1.33	60
0.3	0.6	1.2	C15	1.33	60
0.3	0.6	0.6	C15	1.33	60
0.3	0.6	0.6	C5	1.33	60
0.3	0.3	0.6	C10	1.33	60
0.3	0.3	0.3	C10	1.33	60
0.3	0.3	0.3	C15	1.33	60
0.3	0.3	0.3	—	1.0	50

PB 42-867

Dimensions (inches)



Wt. = 10 lbs.

Optional Mounting Feet
Style 9625A84G02

Accuracy			Relay Accuracy	Rating Factor (30°C Amb.)	Thermal Rating (x Normal, 1 sec.)
B0.5	B0.9	B1.8			
2.4			C10	2.0	100
1.2	2.4		C10	2.0	100
1.2	2.4		C20	2.0	100
0.3	0.6	1.2	C20	2.0	100
0.3	0.3	0.6	C20	2.0	100
0.3	0.3	0.6	C50	1.5	80
0.3	0.3	0.3	C50	1.5	80
0.3	0.3	0.3	C50	1.33	60
0.3	0.3	0.3	C50	1.33	60
0.3	0.3	0.3	C50	1.33	60
0.3	0.3	0.3	C50	1.33	60
0.3	0.3	0.3	C50	1.33	60

600V CURRENT TRANSFORMERS

TYPE SCL-D



600 Volts, Indoor
 10 kV BIL, 25 thru 400 Hz
Mechanical Rating:
 180 x Normal

Primary Current Rating	Style Number	IEEE Meter	
		B0.1	B0.2
200	7526A82G01	0.6	1.2
300	7526A82G02	0.6	0.6
400	7526A82G03	0.3	0.3
600	7526A82G04	0.3	0.3
800	7526A82G05	0.3	0.3
1000	7526A82G06	0.3	0.3
1200	7526A82G07	0.3	0.3
1500	7526A82G08	0.3	0.3
2000	7526A82G09	0.3	0.3
2500	7526A82G10	0.3	0.3
3000	7526A82G11	0.3	0.3
4000	7526A82G12	0.3	0.3

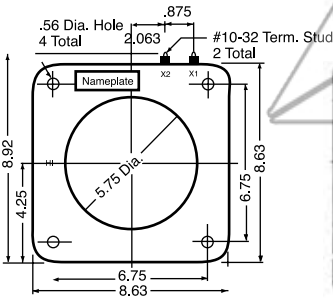
TYPE SCO



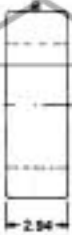
600 Volts, Indoor
 10 kV BIL, 25 thru 400 Hz
Mechanical Rating:
 180 x Normal

Primary Current Rating	Style Number	IEEE Meter	
		B0.1	B0.2
200	7526A81G01	1.2	1.2
300	7526A81G02	0.6	0.6
400	7526A81G03	0.6	0.6
600	7526A81G04	0.3	0.3
800	7526A81G05	0.3	0.3
1000	7526A81G06	0.3	0.3
1200	7526A81G07	0.3	0.3
1500	7526A81G08	0.3	0.3
2000	7526A81G09	0.3	0.3
2500	7526A81G10	0.3	0.3
3000	7526A81G11	0.3	0.3
4000	7526A81G12	0.3	0.3
5000	7526A83G19		
600 MR	7526A83G13	0.3	0.3
1200 MR	7526A83G14	0.3	0.3
2000 MR	7526A83G15	0.3	0.3
3000 MR	7526A83G16	0.3	0.3
4000 MR	7526A83G17	0.3	0.3

PB 42-867



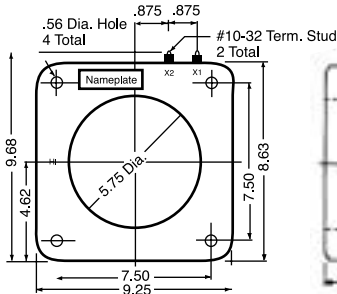
Dimensions (inches)



Wt. = 16 lbs.
Optional Mounting Feet
Style 9825A84G03

Accuracy			Relay Accuracy	Rating Factor (30°C Amb.)	Thermal Rating (x Normal, 1 sec.)
B0.5	B0.9	B1.8			
2.4			C10	2.0	100
1.2	2.4		C20	2.0	100
0.6	1.2	2.4	C20	2.0	100
0.3	0.6	1.2	C50	2.0	100
0.3	0.3	0.6	C50	2.0	100
0.3	0.3	0.3	C100	1.5	80
0.3	0.3	0.3	C100	1.5	80
0.3	0.3	0.3	C100	1.33	60
0.3	0.3	0.3	C100	1.33	60
0.3	0.3	0.3	C100	1.33	60
0.3	0.3	0.3	C100	1.33	60
0.3	0.3	0.3	C100	1.33	60

PB 42-869



Dimensions (inches)



Wt. = 20 lbs.
Optional Mounting Feet
Style 9825A83G01

Accuracy			Relay Accuracy	Rating Factor (30°C Amb.)	Thermal Rating (x Normal, 1 sec.)
B0.5	B0.9	B1.8			
2.4			C20	2.0	100
1.2	2.4		C20	2.0	100
0.6	1.2	2.4	C50	2.0	100
0.6	0.6	1.2	C100	2.0	100
0.3	0.3	0.6	C100	2.0	100
0.3	0.3	0.3	C100	1.5	80
0.3	0.3	0.3	C200	1.5	80
0.3	0.3	0.3	C200	1.33	60
0.3	0.3	0.3	C200	1.33	60
0.3	0.3	0.3	C200	1.33	60
0.3	0.3	0.3	C200	1.33	60
0.3	0.3	0.3	C100	1.33	60
0.3	0.3	0.3	C100	1.0	60
0.3	0.3	0.3	C200	1.5	80
0.3	0.3	0.3	C200	1.33	60
0.3	0.3	0.3	C200	1.33	60
0.3	0.3	0.3	C200	1.33	60
0.6	0.6	1.2	C100	2.0	100

600V CURRENT TRANSFORMERS

TYPE CLC



U.L. Recognized

File No. E96461

600 Volts, Indoor/Outdoor

10 kV BIL, 25 thru 400 Hz

Mechanical Rating:

180 x Normal

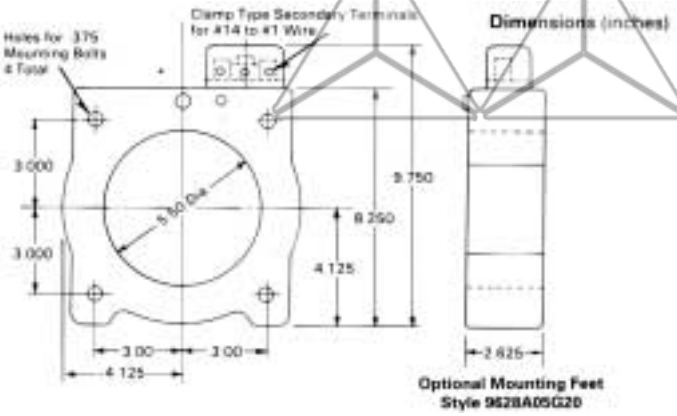


Wt. - 11 lbs.

	Primary Current Rating	Style Number	IEEE Meter	
			B0.1	B0.2
	600	7524A58G16	0.3	0.3
	800	7524A58G01	0.3	0.3
	1000	7524A58G02	0.3	0.3
	1200	7524A58G03	0.3	0.3
	1500	7524A58G04	0.3	0.3
	2000	7524A58G05	0.3	0.3
	3000	7524A58G06	0.3	0.3
	4000	7524A58G07	0.3	0.3
	600/1200	7524A58G08	0.3	0.3
	800/1600	7524A58G09	0.3	0.3
	1000/2000	7524A58G10	0.3	0.3
	1500/3000	7524A58G11	0.3	0.3
	2000/4000	7524A58G12	0.3	0.3

© Tap Connection

PB 42-824



Accuracy			Relay Accuracy	Rating Factor (30°C Amb.)
B0.5	B0.9	B1.8		

0.3			C30	3.0
0.3			C30	2.0
0.3			C50	2.0
0.3	0.3		C30	2.0
0.3	0.3		C30	3.0
0.3	0.3	0.3	C50	2.0
0.3	0.3	0.3	C10	1.5
0.3	0.3	0.3	-	1.33
		②	C10	3.0
0.3	0.3		C30	2.0
		②	C20	3.0
0.3	0.3	0.3	C30	2.0
0.3		②	C30	3.0
0.3	0.3	0.3	C50	2.0
0.3	0.3	②	-	2.0
0.3	0.3	0.3	C10	1.5
0.3	0.3	0.3②	-	2.0
0.3	0.3	0.3	-	1.33

600V CURRENT TRANSFORMERS

TYPE CLE



U.L. Recognized

File No. E96461

600 Volts, Indoor/Outdoor

10 kV BIL, 25 thru 400 Hz

Mechanical Rating:

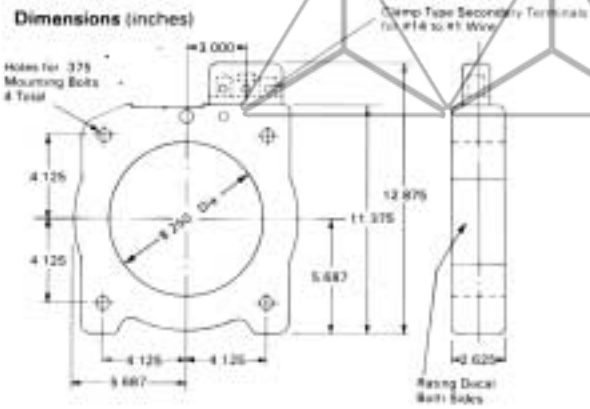
180 x Normal

	Primary Current Rating	Style Number	IEEE Meter	
			B0.1	B0.2
<p>Wt. - 16 lbs.</p>	2000	7524A63G01	0.3	0.3
	3000	7524A63G02	0.3	0.3
	4000	7524A63G03	0.3	0.3
	5000	7524A63G04	0.3	0.3
	6000	7524A63G05	0.3	0.3
	1000/2000	7524A63G06	0.3	0.3
	1500/3000	7524A63G07	0.3	0.3
	2000/4000	7524A63G08	0.3	0.3
	2500/5000	7524A63G09	0.3	0.3
	3000/6000	7524A63G10	0.3	0.3

② Tap Connection

PB 42-826

Dimensions (inches)



Accuracy			Relay Accuracy	Rating Factor (30°C Amb.)
B0.5	B0.9	B1.8		
0.3			C50	2.0
0.3	0.3	0.3	C100	2.0
0.3	0.3	0.3	C100	1.5
0.3	0.3	0.3	C100	1.33
0.3	0.3	0.3	-	1.0
0.3		②	C30	3.0
0.3	0.3		C50	2.0
0.3		②	C50	3.0
0.3	0.3	0.3	C100	2.0
0.3	0.3	②	C50	2.0
0.3	0.3	0.3	C100	1.5
0.3	0.3	0.3②	C100	2.0
0.3	0.3	0.3	C200	1.33
0.3	0.3	0.3②	-	1.33
0.3	0.3	0.3	-	1.0

600V CURRENT TRANSFORMERS

TYPE RLC



U.L. Recognized

File No. E96461

600 Volts, Indoor/Outdoor

10 kV BIL, 25 thru 400 Hz

Mechanical Rating:

180 x Normal

Weight = 29#



Wt. = 21 lbs.

Primary Current Rating	Style Number	IEEE Meter	
		B0.1	B0.2
800	7524A52G02	0.3	0.3
1000	7524A52G04	0.3	0.3
1200	7524A52G05	0.3	0.3
1500	7524A52G06	0.3	0.3
2000	7524A52G07	0.3	0.3
3000	7524A52G08	0.3	0.3
4000	7524A52G09	0.3	0.3
600/1200	7524A52G10	0.3	0.3
1000/2000	7524A52G12	0.3	0.3
		0.3	0.3
1500/3000	7524A52G13	0.3	0.3
		0.3	0.3
2000/4000	7524A52G14	0.3	0.3
		0.3	0.3

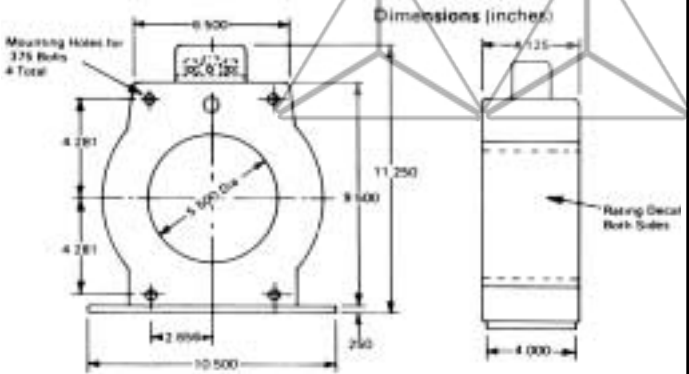
Primary Current Rating	Style Number	IEEE Meter	
		B0.1	B0.2
1000	9625A21G01	0.3	0.3
2000	9625A21G02	0.3	0.3
3000	9625A21G03	0.3	0.3
4000	9625A21G04	0.3	0.3
1000/2000	9625A21G05	0.3	0.3
		0.3	0.3
1500/3000	9625A21G06	0.3	0.3
		0.3	0.3
2000/4000	9625A21G07	0.3	0.3
		0.3	0.3



HI RELAY ACCURACY

© Tap Connection, X2-X3

PB 42-828



Accuracy			Relay Accuracy	Rating Factor (30°C Amb.)	Thermal Rating (x Normal, 1 sec.)
B0.5	B0.9	B1.8			
0.3	0.3	0.6	C100	2.0	80
0.3	0.3	0.6	C100	2.0	80
0.3	0.3	0.3	C200	2.0	100
0.3	0.3	0.3	C200	2.0	100
0.3	0.3	0.3	C200	1.5	100
0.3	0.3	0.3	C200	1.33	100
0.3	0.3	0.3	C200	1.33	100
0.3	0.6	1.2②	C100	2.0	80
0.3	0.3	0.3	C200	2.0	80
0.3	0.3	0.6②	C100	2.0	100
0.3	0.3	0.3	C200	1.5	100
0.3	0.3	0.3②	C100	1.5	100
0.3	0.3	0.3	C200	1.33	100
0.3	0.3	0.3②	C100	1.5	100
0.3	0.3	0.3	C200	1.33	100

Accuracy			Relay Accuracy	Rating Factor (30°C Amb.)	Thermal Rating (x Normal, 1 sec.)
B0.5	B0.9	B1.8			
0.3	0.3	0.3	C200	2.0	80
0.3	0.3	0.3	C400	1.5	100
0.3	0.3	0.3	C400	1.5	100
0.3	0.3		C400	1.5	100
0.3	0.3	0.3②	C200	2.0	100
0.3	0.3	0.3	C400	1.5	100
0.3	0.3	0.3②	C200	1.5	100
0.3	0.3	0.3	C400	1.33	100
0.3	0.3	0.3②	C200	1.5	100
0.3	0.3		C400	1.33	100

600V CURRENT TRANSFORMERS

TYPE RCI



U.L. Recognized

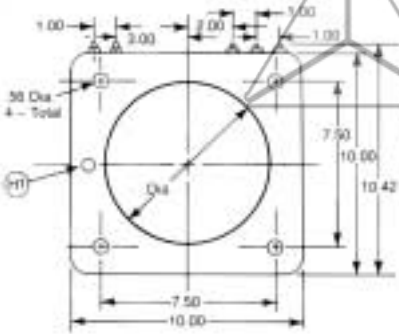
File No. E96461

600 Volts, Indoor

10 kV BIL, 25 thru 400 Hz

	Primary Current Rating	Style Number	IEEE Metering	
			B0.1	B0.2
Type RCI-1 (5.5" Window)				
	50	9628A31G01	2.4	
	75	9628A31G02	1.2	2.4
	100	9628A31G03	1.2	1.2
	200	9628A31G04	0.3	0.6
	300	9628A31G05	0.3	0.3
	400	9628A31G06	0.3	0.3
	600	9628A31G07	0.3	0.3
	800	9628A31G08	0.3	0.3
	1000	9628A31G09	0.3	0.3
	1200	9628A31G10	0.3	0.3
	1500	9628A31G11	0.3	0.3
	2000	9628A31G12	0.3	0.3
	2500	9628A31G13	0.3	0.3
	3000	9628A31G14	0.3	0.3
	4000	9628A31G15	0.3	0.3
	5000	9628A31G16	0.3	0.3
Type RCI-1 Multi-Ratio (5.5" Window)				
	600	9628A36G01		
	1200	9628A36G02		
	2000	9628A36G03		
	3000	9628A36G04		
	4000	9628A36G05		
Type RCI-2 (6.5" Window)				
	50	9628A32G01	4.8	
	75	9628A32G02	2.4	4.8
	100	9628A32G03	1.2	2.4
	200	9628A32G04	0.6	0.6
	300	9628A32G05	0.3	0.3
	400	9628A32G06	0.3	0.3
	600	9628A32G07	0.3	0.3
	800	9628A32G08	0.3	0.3
	1000	9628A32G09	0.3	0.3
	1200	9628A32G10	0.3	0.3
	1500	9628A32G11	0.3	0.3
	2000	9628A32G12	0.3	0.3
	2500	9628A32G13	0.3	0.3
	3000	9628A32G14	0.3	0.3
	4000	9628A32G15	0.3	0.3
	5000	9628A32G16	0.3	0.3
Type RCI-2 Multi-Ratio (6.5" Window)				
	600	9628A37G01		
	1200	9628A37G02		
	2000	9628A37G03		
	3000	9628A37G04		
	4000	9628A37G05		
	5000	9628A37G06		

PB 42-881



Dimensions (inches)

Type	Window Dia.	Weight (lbs.)
RC-1	5.00	90
RC-2	6.50	90

RC-1 and RC-2 are 5" Deep

Accuracy @ 60 Hz			Relay Accuracy	Rating Factor (30°C Amb.)
B0.5	B0.9	B1.8		

			C10	2.0
			C20	2.0
2.4			C20	2.0
1.2	1.2	2.4	C50	2.0
0.3	0.6	1.2	C100	2.0
0.3	0.3	0.6	C100	2.0
0.3	0.3	0.3	C200	2.0
0.3	0.3	0.3	C200	2.0
0.3	0.3	0.3	C200	2.0
0.3	0.3	0.3	C400	2.0
0.3	0.3	0.3	C400	1.5
0.3	0.3	0.3	C400	1.33
0.3	0.3	0.3	C400	1.33
0.3	0.3	0.3	C400	1.33
0.3	0.3	0.3	C400	1.33
0.3	0.3	0.3	C400	1.33

			C200	1.33
			C400	1.33
			C400	1.33
			C400	1.33
			C400	1.33

			C10	2.0
			C10	2.0
			C20	2.0
			C50	2.0
1.2	2.4	2.4	C50	2.0
0.6	1.2	1.2	C100	2.0
0.3	0.6	1.2	C100	2.0
0.3	0.3	0.6	C100	2.0
0.3	0.3	0.3	C200	2.0
0.3	0.3	0.3	C200	2.0
0.3	0.3	0.3	C200	2.0
0.3	0.3	0.3	C400	1.5
0.3	0.3	0.3	C400	1.33
0.3	0.3	0.3	C400	1.33
0.3	0.3	0.3	C400	1.33
0.3	0.3	0.3	C400	1.33
0.3	0.3	0.3	C400	1.33

			C100	1.33
			C200	1.33
			C200	1.33
			C400	1.33
			C400	1.33
			C400	1.33

600V CURRENT TRANSFORMERS

TYPE SCB



U.L. Recognized



File No. E96461

600 Volts, Indoor

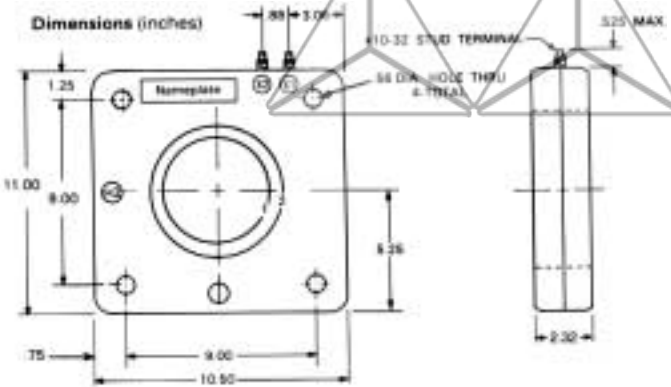
10 kV BIL, 25 thru 400 Hz

Mechanical Rating:

180 x Normal

	Primary Current Rating	Style Number	IEEE Meter	
			B0.1	B0.2
Type SCB-1 (4.50" Window)				
 <p>wt = 29 lbs.</p>	200	7525A20G01	0.6	0.6
	300	7525A20G02	0.3	0.3
	400	7525A20G03	0.3	0.3
	600	7525A20G04	0.3	0.3
	800	7525A20G05	0.3	0.3
	1000	7525A20G06	0.3	0.3
	1200	7525A20G07	0.3	0.3
	1500	7525A20G08	0.3	0.3
	2000	7525A20G09	0.3	0.3
	2500	7525A20G10	0.3	0.3
	3000	7525A20G11	0.3	0.3
	4000	7525A20G12	0.3	0.3
Multi-Ratio, IEEE, 5 Terminals				
	600 MR	7525A20G13	0.3	0.3
	1200 MR	7525A20G14	0.3	0.3
	2000 MR	7525A20G15	0.3	0.3
	3000 MR	7525A20G16	0.3	0.3
	4000 MR	7525A20G17	0.3	0.3
Type SCB-2 (5.25" Window)				
 <p>wt = 26 lbs.</p>	200	7525A24G01	0.6	0.6
	300	7525A24G02	0.3	0.3
	400	7525A24G03	0.3	0.3
	600	7525A24G04	0.3	0.3
	800	7525A24G05	0.3	0.3
	1000	7525A24G06	0.3	0.3
	1200	7525A24G07	0.3	0.3
	1500	7525A24G08	0.3	0.3
	2000	7525A24G09	0.3	0.3
	2500	7525A24G10	0.3	0.3
	3000	7525A24G11	0.3	0.3
	4000	7525A24G12	0.3	0.3
Multi-Ratio, IEEE, 5 Terminals				
	600 MR	7525A24G13	0.3	0.3
	1200 MR	7525A24G14	0.3	0.3
	2000 MR	7525A24G15	0.3	0.3
	3000 MR	7525A24G16	0.3	0.3
	4000 MR	7525A24G17	0.3	0.3

PB 42-883



Accuracy			Relay Accuracy	Rating Factor (30°C Amb.)	Thermal Rating (x Normal, 1 sec.)
B0.5	B0.9	B1.8			
1.2	2.4		C20	2.0	100
0.3	1.2	1.2	C50	2.0	100
0.3	0.3	1.2	C100	2.0	100
0.3	0.3	0.6	C100	2.0	100
0.3	0.3	0.3	C100	1.5	80
0.3	0.3	0.3	C200	1.5	80
0.3	0.3	0.3	C200	1.5	80
0.3	0.3	0.3	C200	1.5	80
0.3	0.3	0.3	C400	1.33	60
0.3	0.3	0.3	C400	1.33	60
0.3	0.3	0.3	C400	1.33	60
0.3	0.3	0.3	C400	1.33	60
0.3	0.3	0.6	C100	1.5	80
0.3	0.3	0.3	C200	1.5	80
0.3	0.3	0.3	C400	1.33	60
0.3	0.3	0.3	C400	1.33	60
0.3	0.3	0.3	C400	1.33	60
1.2	2.4		C20	2.0	100
0.6	1.2	2.4	C50	2.0	100
0.3	0.6	1.2	C50	2.0	100
0.3	0.3	0.6	C100	2.0	100
0.3	0.3	0.3	C100	1.5	80
0.3	0.3	0.3	C100	1.5	80
0.3	0.3	0.3	C200	1.5	80
0.3	0.3	0.3	C200	1.5	80
0.3	0.3	0.3	C200	1.33	60
0.3	0.3	0.3	C200	1.33	60
0.3	0.3	0.3	C200	1.33	60
0.3	0.3	0.3	C200	1.33	60
0.3	0.3	0.6	C100	1.5	80
0.3	0.3	0.3	C200	1.5	80
0.3	0.3	0.3	C200	1.33	60
0.3	0.3	0.3	C200	1.33	60
0.3	0.3	0.3	C200	1.33	60

600V CURRENT TRANSFORMERS

TYPE RCB



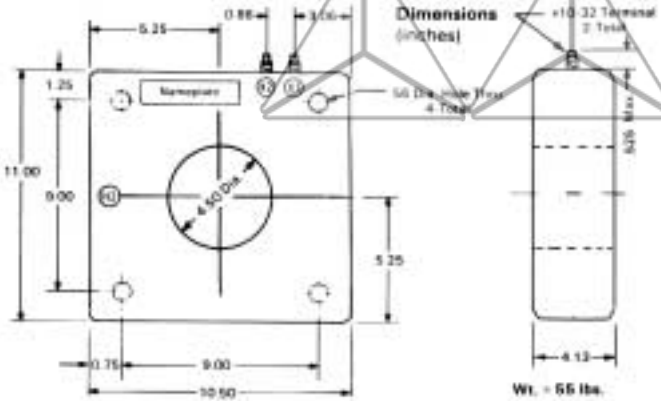
600 Volts, Indoor
 10 kV BIL, 25 thru 400 Hz
Mechanical Rating:
 180 x Normal

Primary Current Rating	Style Number	IEEE Meter	
		B0.1	B0.2
200	7525A49G01	0.3	0.6
300	7525A49G02	0.3	0.3
400	7525A49G03	0.3	0.3
600	7525A49G04	0.3	0.3
800	7525A49G05	0.3	0.3
1000	7525A49G06	0.3	0.3
1200	7525A49G07	0.3	0.3
1500	7525A49G08	0.3	0.3
2000	7525A49G09	0.3	0.3
2500	7525A49G10	0.3	0.3
3000	7525A49G11	0.3	0.3
4000	7525A49G12	0.3	0.3

Multi-Ratio, IEEE, 5 Terminals

600 MR	7525A49G13	0.3	0.3
1200 MR	7525A49G14	0.3	0.3
2000 MR	7525A49G15	0.3	0.3
3000 MR	7525A49G16	0.3	0.3
4000 MR	7525A49G17	0.3	0.3

PB 42-885



Accuracy			Relay Accuracy	Rating Factor (30°C Amb.)	Thermal Rating (x Normal, 1 sec.)
B0.5	B0.9	B1.8			
1.2	1.2	2.4	C50	2.0	100
0.6	0.6	1.2	C100	2.0	100
0.3	0.6	0.6	C100	2.0	100
0.3	0.3	0.3	C200	2.0	100
0.3	0.3	0.3	C200	1.5	80
0.3	0.3	0.3	C200	1.5	80
0.3	0.3	0.3	C400	1.5	80
0.3	0.3	0.3	C400	1.5	80
0.3	0.3	0.3	C800	1.33	60
0.3	0.3	0.3	C800	1.33	60
0.3	0.3	0.3	C800	1.33	60
0.3	0.3	0.3	C800	1.33	60
0.3	0.3	0.3	C200	2.0	100
0.3	0.3	0.3	C400	1.5	80
0.3	0.3	0.3	C800	1.33	60
0.3	0.3	0.3	C800	1.33	60
0.3	0.3	0.3	C800	1.33	60

600V CURRENT TRANSFORMERS

TYPE SCA



U.L. Recognized
File No. E96461

600 Volts, Indoor
10 kV BIL, 25 thru 400 Hz

Mechanical Rating:
180 x Normal

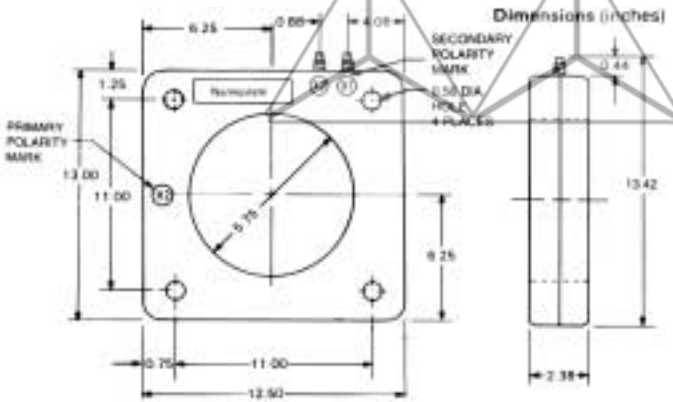
wt. = 34 lbs.

Primary Current Rating	Style Number	IEEE Meter	
		B0.1	B0.2
200	7525A48G01	0.6	1.2
300	7525A48G02	0.3	0.6
400	7525A48G03	0.3	0.3
600	7525A48G04	0.3	0.3
800	7525A48G05	0.3	0.3
1000	7525A48G06	0.3	0.3
1200	7525A48G07	0.3	0.3
1500	7525A48G08	0.3	0.3
2000	7525A48G09	0.3	0.3
2500	7525A48G10	0.3	0.3
3000	7525A48G11	0.3	0.3
4000	7525A48G12	0.3	0.3

Multi-Ratio, IEEE, 5 Terminals

600 MR	7525A48G13	0.3	0.3
1200 MR	7525A48G14	0.3	0.3
2000 MR	7525A48G15	0.3	0.3
3000 MR	7525A48G16	0.3	0.3
4000 MR	7525A48G17	0.3	0.3

PB 42-882



Accuracy			Relay Accuracy	Rating Factor (30°C Amb.)	Thermal Rating (x Normal, 1 sec.)
B0.5	B0.9	B1.8			
2.4	2.4		C50	2.0	100
1.2	1.2	2.4	C50	2.0	100
0.6	1.2	2.4	C100	2.0	100
0.3	0.3	0.6	C100	2.0	100
0.3	0.3	0.3	C100	1.5	80
0.3	0.3	0.3	C200	1.5	80
0.3	0.3	0.3	C200	1.5	80
0.3	0.3	0.3	C200	1.33	60
0.3	0.3	0.3	C400	1.33	60
0.3	0.3	0.3	C400	1.33	60
0.3	0.3	0.3	C400	1.33	60
0.3	0.3	0.3	C400	1.33	60

0.3	0.3	0.3	C100	2.0	100
0.3	0.3	0.3	C200	1.5	80
0.3	0.3	0.3	C400	1.33	60
0.3	0.3	0.3	C400	1.33	60
0.3	0.3	0.3	C400	1.33	60

600V CURRENT TRANSFORMERS

TYPE RCA



600 Volts, Indoor
 10 kV BIL, 25 thru 400 Hz
Mechanical Rating:
 180 x Normal

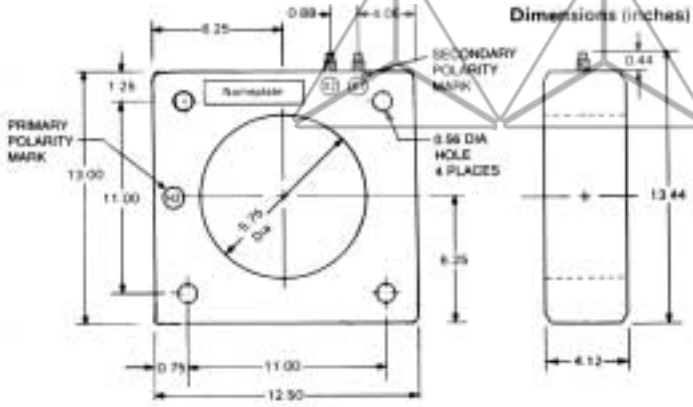
wt. = 58 lbs.

Primary Current Rating	Style Number	IEEE Meter	
		B0.1	B0.2
200	7525A19G01	0.6	0.6
300	7525A19G02	0.3	0.3
400	7525A19G03	0.3	0.3
600	7525A19G04	0.3	0.3
800	7525A19G05	0.3	0.3
1000	7525A19G06	0.3	0.3
1200	7525A19G07	0.3	0.3
1500	7525A19G08	0.3	0.3
2000	7525A19G09	0.3	0.3
2500	7525A19G10	0.3	0.3
3000	7525A19G11	0.3	0.3
4000	7525A19G12	0.3	0.3

Multi-Ratio, IEEE, 5 Terminals

600 MR	7525A19G13	0.3	0.3
1200 MR	7525A19G14	0.3	0.3
2000 MR	7525A19G15	0.3	0.3
3000 MR	7525A19G16	0.3	0.3
4000 MR	7525A19G17	0.3	0.3

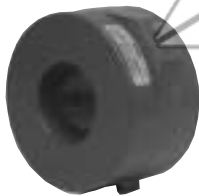
PB 42-884



Accuracy			Relay Accuracy	Rating Factor (30°C Amb.)	Thermal Rating (x Normal, 1 sec.)
B0.5	B0.9	B1.8			
1.2	1.2	2.4	C50	2.0	100
0.6	1.2	1.2	C100	2.0	100
0.3	0.6	1.2	C100	2.0	100
0.3	0.3	0.3	C200	2.0	100
0.3	0.3	0.3	C200	1.5	80
0.3	0.3	0.3	C200	1.5	80
0.3	0.3	0.3	C400	1.5	80
0.3	0.3	0.3	C400	1.33	60
0.3	0.3	0.3	C800	1.33	60
0.3	0.3	0.3	C800	1.33	60
0.3	0.3	0.3	C800	1.33	60
0.3	0.3	0.3	C800	1.33	60
0.3	0.3	0.3	C200	2.0	100
0.3	0.3	0.3	C400	1.5	80
0.3	0.3	0.3	C800	1.33	60
0.3	0.3	0.3	C800	1.33	60
0.3	0.3	0.3	C800	1.33	60

600V CURRENT TRANSFORMERS

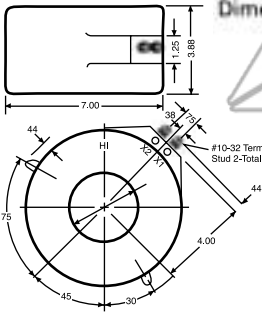
TYPE SCJ



U.L. Recognized
File No. E96461

600 Volts, Indoor
10 kV BIL, 25 thru 400 Hz
Rating Factor = 1.33 (30° Amb.)

	Primary Current Rating	Style Number	IEEE B0.1
Type SCJ-1R (3.05" Window)			
	200	9628A43G01	0.6
	250	9628A43G02	0.6
	300	9628A43G03	0.3
	400	9628A43G04	0.3
	500	9628A43G05	0.3
	600	9628A43G06	0.3
	800	9628A43G07	0.3
	1000	9628A43G08	0.3
	1200	9628A43G09	0.3
	1500	9628A43G10	0.3
	2000	9628A43G11	0.3
	2500	9628A43G12	0.3
	3000	9628A43G13	0.3
	3200	9628A43G14	0.3
	4000	9628A43G15	0.3
Type SCJ-1M (3.05" Window)			
	200	9628A42G01	0.6
	250	9628A42G02	0.6
	300	9628A42G03	0.6
	400	9628A42G04	0.3
	500	9628A42G05	0.3
	600	9628A42G06	0.3
	800	9628A42G07	0.3
	1000	9628A42G08	0.3
	1200	9628A42G09	0.3
	1500	9628A42G10	0.3
	2000	9628A42G11	0.3
	2500	9628A42G12	0.3
	3000	9628A42G13	0.3
	3200	9628A42G14	0.3
	4000	9628A42G15	0.3
Type SCJ-2R (3.80" Window)			
	1000	9628A45G01	0.3
	1200	9628A45G02	0.3
	1500	9628A45G03	0.3
	2000	9628A45G04	0.3
	2500	9628A45G05	0.3
	3000	9628A45G06	0.3
	3200	9628A45G07	0.3
	4000	9628A45G08	0.3
Type SCJ-2M (3.80" Window)			
	1000	9628A44G01	0.3
	1200	9628A44G02	0.3
	1500	9628A44G03	0.3
	2000	9628A44G04	0.3
	2500	9628A44G05	0.3
	3000	9628A44G06	0.3
	3200	9628A44G07	0.3
	4000	9628A44G08	0.3



Dimensions (Inches)

Type	Window Dia. (Inches)	Weight (lbs.)
SCJ-1R	3.05	18
SCJ-1M	3.05	12
SCJ-2R	3.80	16
SCJ-2M	3.80	9

Metering @ 60 Hertz

B0.2 B0.5 B0.9 B1.8 Relay Accuracy

0.6	1.2	2.4	2.4	C20
0.6	1.2	1.2	2.4	C20
0.6	0.6	1.2	1.2	C20
0.3	0.6	0.6	1.2	C50
0.3	0.3	0.6	0.6	C50
0.3	0.3	0.3	0.6	C50
0.3	0.3	0.3	0.3	C100
0.3	0.3	0.3	0.3	C70
0.3	0.3	0.3	0.3	C70
0.3	0.3	0.3	0.3	C110
0.3	0.3	0.3	0.3	C80
0.3	0.3	0.3	0.3	C100
0.3	0.3	0.3	0.3	C70
0.3	0.3	0.3	0.3	C70
0.3	0.3	0.3	0.3	C50

1.2	2.4	2.4	4.8	
0.6	1.2	2.4	4.8	
0.6	1.2	1.2	2.4	
0.3	0.6	1.2	1.2	
0.3	0.6	0.6	1.2	
0.3	0.3	0.6	0.6	
0.3	0.3	0.3	0.6	
0.3	0.3	0.3	0.6	
0.3	0.3	0.3	0.3	
0.3	0.3	0.3	0.3	
0.3	0.3	0.3	0.3	
0.3	0.3	0.3	0.3	
0.3	0.3	0.3	0.3	
0.3	0.3	0.3	0.3	

0.3	0.3	0.3	0.6	C70
0.3	0.3	0.3	0.3	C70
0.3	0.3	0.3	0.3	C110
0.3	0.3	0.3	0.3	C80
0.3	0.3	0.3	0.3	C100
0.3	0.3	0.3	0.3	C70
0.3	0.3	0.3	0.3	C70
0.3	0.3	0.3	0.3	C50

0.3	0.3	0.3	0.6	
0.3	0.3	0.3	0.3	
0.3	0.3	0.3	0.3	
0.3	0.3	0.3	0.3	
0.3	0.3	0.3	0.3	
0.3	0.3	0.3	0.3	
0.3	0.3	0.3	0.3	
0.3	0.3	0.3	0.3	

600V CURRENT TRANSFORMERS

TYPE SCS

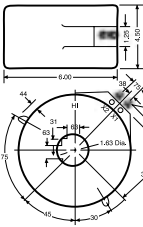


U.L. Recognized
File No. E96461

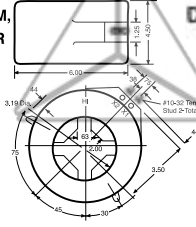
600 Volts, Indoor
10 kV BIL, 25 thru 400 Hz
Rating Factor = 1.33 (30° Amb.)

Primary Current Rating	Style Number	IEEE B0.1
Type SCS-1R (1.63" Window)		
100	9628A39G01	1.2
150	9628A39G02	0.6
200	9628A39G03	0.6
300	9628A39G04	0.3
400	9628A39G05	0.3
600	9628A39G06	0.3
800	9628A39G07	0.3
1000	9628A39G08	0.3
1200	9628A39G09	0.3
1500	9628A39G10	0.3
1600	9628A39G11	0.3
2000	9628A39G12	0.3
2500	9628A39G13	0.3
Type SCS-1M (1.63" Window)		
100	9628A38G01	1.2
150	9628A38G02	0.6
200	9628A38G03	0.6
300	9628A38G04	0.3
400	9628A38G05	0.3
600	9628A38G06	0.3
800	9628A38G07	0.3
1000	9628A38G08	0.3
1200	9628A38G09	0.3
1500	9628A38G10	0.3
1600	9628A38G11	0.3
2000	9628A38G12	0.3
2500	9628A38G13	0.3
Type SCS-2R (2.00" Window)		
100	9628A41G01	1.2
150	9628A41G02	1.2
200	9628A41G03	0.6
300	9628A41G04	0.3
400	9628A41G05	0.3
600	9628A41G06	0.3
800	9628A41G07	0.3
1000	9628A41G08	0.3
1200	9628A41G09	0.3
1500	9628A41G10	0.3
1600	9628A41G11	0.3
2000	9628A41G12	0.3
2500	9628A41G13	0.3
Type SCS-2M (2.00" Window)		
100	9628A40G01	1.2
150	9628A40G02	1.2
200	9628A40G03	0.6
300	9628A40G04	0.3
400	9628A40G05	0.3
600	9628A40G06	0.3
800	9628A40G07	0.3
1000	9628A40G08	0.3
1200	9628A40G09	0.3
1500	9628A40G10	0.3
1600	9628A40G11	0.3
2000	9628A40G12	0.3
2500	9628A40G13	0.3

SCS-1M
SCS-1R



SCS-2M,
SCS-2R



Dimensions (Inches)

Type	Window Dia. (Inches)	Weight (lbs.)
SCS-1R	1.63	20
SCS-1M	1.63	13
SCS-2R	2.00	14
SCS-2M	2.00	8

Metering @ 60 Hertz
B0.2 B0.5

B0.9

B1.8

Relay Accuracy

1.2	2.4	2.4	4.8	C20
0.6	1.2	1.2	2.4	C20
0.6	0.6	1.2	1.2	C50
0.3	0.3	0.6	0.6	C50
0.3	0.3	0.3	0.6	C100
0.3	0.3	0.3	0.3	C100
0.3	0.3	0.3	0.3	C100
0.3	0.3	0.3	0.3	C200
0.3	0.3	0.3	0.3	C200
0.3	0.3	0.3	0.3	C200
0.3	0.3	0.3	0.3	C200
0.3	0.3	0.3	0.3	C200
0.3	0.3	0.3	0.3	C200

2.4	4.8	4.8		
0.6	1.2	1.2	4.8	
0.6	1.2	1.2	2.4	
0.3	0.6	0.6	1.2	
0.3	0.3	0.3	0.6	
0.3	0.3	0.3	0.6	
0.3	0.3	0.3	0.3	
0.3	0.3	0.3	0.3	
0.3	0.3	0.3	0.3	
0.3	0.3	0.3	0.3	
0.3	0.3	0.3	0.3	
0.3	0.3	0.3	0.3	

2.4	4.8			C5
1.2	2.4	4.8		C10
1.2	2.4	2.4		C15
0.6	1.2	1.2	2.4	C20
0.3	0.6	1.2	2.4	C30
0.3	0.3	0.6	0.6	C50
0.3	0.3	0.6	0.6	C50
0.3	0.3	0.3	0.6	C80
0.3	0.3	0.3	0.6	C70
0.3	0.3	0.3	0.3	C80
0.3	0.3	0.3	0.3	C80
0.3	0.3	0.3	0.3	C30
0.3	0.3	0.3	0.3	C30

2.4	4.8			
1.2	2.4	4.8		
1.2	2.4	2.4		
0.6	1.2	1.2	2.4	
0.3	0.6	1.2	2.4	
0.3	0.3	0.6	0.6	
0.3	0.3	0.6	0.6	
0.3	0.3	0.3	0.6	
0.3	0.3	0.3	0.3	
0.3	0.3	0.3	0.3	
0.3	0.3	0.3	0.3	
0.3	0.3	0.3	0.3	

600V CURRENT TRANSFORMERS

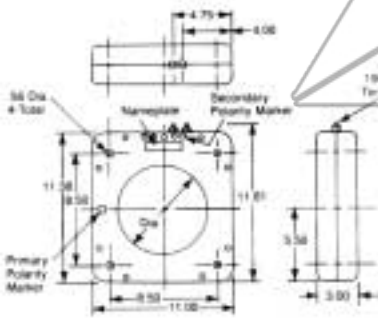
TYPE SCP



600 Volts, Indoor
10 kV BIL, 25 thru 400 Hz

Primary Current Rating	Style Number	Rating Factor
Type SCP-1 (6.00" Window)		
50	9628A03G01	2.0
75	9628A03G02	2.0
100	9628A03G03	2.0
150	9628A03G04	2.0
200	9628A03G05	2.0
300	9628A03G06	2.0
400	9628A03G07	2.0
600	9628A03G08	2.0
800	9628A03G09	2.0
1000	9628A03G10	1.5
1200	9628A03G11	1.5
1500	9628A03G12	1.5
2000	9628A03G13	1.33
2500	9628A03G14	1.33
3000	9628A03G15	1.33
Type SCP-2 (7.25" Window)		
50	9628A06G01	2.0
75	9628A06G02	2.0
100	9628A06G03	2.0
150	9628A06G04	2.0
200	9628A06G05	2.0
300	9628A06G06	2.0
400	9628A06G07	2.0
600	9628A06G08	2.0
800	9628A06G09	2.0
1000	9628A06G10	1.5
1200	9628A06G11	1.5
1500	9628A06G12	1.5
2000	9628A06G13	1.33
2500	9628A06G14	1.33
3000	9628A06G15	1.33
4000	9628A06G16	1.33
5000	9628A06G17	1.33
Type SCP-3 (8.13" Window)		
50	9628A07G01	2.0
100	9628A07G03	2.0
200	9628A07G05	2.0
300	9628A07G06	2.0
400	9628A07G07	2.0
600	9628A07G08	2.0
800	9628A07G09	2.0
1000	9628A07G10	1.5
1200	9628A07G11	1.5
1500	9628A07G12	1.5
2000	9628A07G13	1.33
2500	9628A07G14	1.33
3000	9628A07G15	1.33
4000	9628A07G16	1.33
5000	9628A07G17	1.33
6000	9628A07G18	1.33

Dimensions (Inches)



Type	Window Dia. inches	Weight
SCP-1	6.0	40#
SCP-2	7.25	30#
SCP-3	8.13	28#

IEEE Metering Accuracy

B.1	B.2	B.5	B.9
2.4			
1.2	2.4		
1.2	1.2	2.4	
0.6	0.6	1.2	2.4
0.6	0.6	1.2	2.4
0.3	0.3	0.6	0.6
0.3	0.3	0.3	0.6
0.3	0.3	0.3	0.3
0.3	0.3	0.3	0.3
0.3	0.3	0.3	0.3
0.3	0.3	0.3	0.3
0.3	0.3	0.3	0.3
0.3	0.3	0.3	0.3
0.3	0.3	0.3	0.3
0.3	0.3	0.3	0.3

Relay Accuracy

C10
C10
C20
C20
C50
C50
C100
C100
C200
C200
C200
C200
C200
C200
C200
C200
C200
C200
C200
C200
C200
C200
C200

4.8			
2.4	2.4		
1.2	2.4		
1.2	1.2	2.4	
0.6	0.6	1.2	2.4
0.3	0.3	0.6	1.2
0.3	0.3	0.3	0.6
0.3	0.3	0.3	0.6
0.3	0.3	0.3	0.3
0.3	0.3	0.3	0.3
0.3	0.3	0.3	0.3
0.3	0.3	0.3	0.3
0.3	0.3	0.3	0.3
0.3	0.3	0.3	0.3
0.3	0.3	0.3	0.3
0.3	0.3	0.3	0.3
0.3	0.3	0.3	0.3
0.3	0.3	0.3	0.3
0.3	0.3	0.3	0.3

C10
C10
C20
C20
C50
C50
C100
C100
C100
C100
C100
C100
C100
C100
C100
C100
C100
C100
C100
C100
C100
C100
C100
C100

①			
①			
1.2	1.2	2.4	
0.6	0.6	1.2	2.4
0.6	0.6	0.6	1.2
0.3	0.3	0.6	1.2
0.3	0.3	0.3	0.6
0.3	0.3	0.3	0.6
0.3	0.3	0.3	0.3
0.3	0.3	0.3	0.3
0.3	0.3	0.3	0.3
0.3	0.3	0.3	0.3
0.3	0.3	0.3	0.3
0.3	0.3	0.3	0.3
0.3	0.3	0.3	0.3
0.3	0.3	0.3	0.3
0.3	0.3	0.3	0.3
0.3	0.3	0.3	0.3
0.3	0.3	0.3	0.3
0.3	0.3	0.3	0.3
0.3	0.3	0.3	0.3
0.3	0.3	0.3	0.3
0.3	0.3	0.3	0.3
0.3	0.3	0.3	0.3
0.3	0.3	0.3	0.3




C10
C20
C20
C20
C50
C50
C100
C100
C100
C100
C100
C100
C100
C100
C100
C100
C100
C100
C100
C100
C100
C100
C100
C100
C100
C100
C100

600V CURRENT TRANSFORMERS

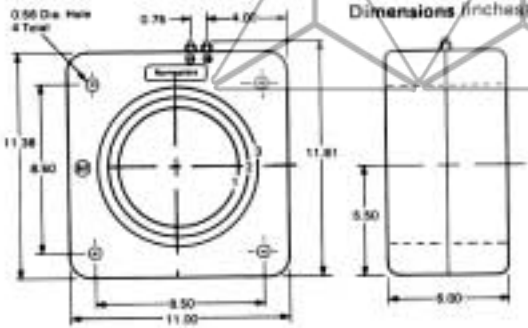
TYPE SCD



600 Volts, Indoor
 10 kV BIL, 25 thru 400 Hz
Mechanical Rating:
 180 x Normal

	Primary Current Rating	Style Number	IEEE Meter B0.1	B0.2
Type SCD-1 (6.00" Window)				
 <p>wt. = 60 lbs.</p>	50	7525A45G01	1.2	2.4
	75	7525A45G02	1.2	1.2
	100	7525A45G03	0.6	1.2
	150	7525A45G04	0.6	0.6
	200	7525A45G05	0.3	0.6
	300	7525A45G06	0.3	0.3
	400	7525A45G07	0.3	0.3
	600	7525A45G08	0.3	0.3
	800	7525A45G09	0.3	0.3
	1000	7525A45G10	0.3	0.3
	1200	7525A45G11	0.3	0.3
	1500	7525A45G12	0.3	0.3
	2000	7525A45G13	0.3	0.3
2500	7525A45G14	0.3	0.3	
3000	7525A45G15	0.3	0.3	
Type SCD-2 (7.25" Window)				
 <p>wt. = 52 lbs.</p>	200	7525A46G01	0.6	0.6
	300	7525A46G02	0.3	0.3
	400	7525A46G03	0.3	0.3
	600	7525A46G04	0.3	0.3
	800	7525A46G05	0.3	0.3
	1000	7525A46G06	0.3	0.3
	1200	7525A46G07	0.3	0.3
	1500	7525A46G08	0.3	0.3
	2000	7525A46G09	0.3	0.3
	2500	7525A46G10	0.3	0.3
	3000	7525A46G11	0.3	0.3
	4000	7525A46G12	0.3	0.3
	5000	7525A46G13	0.3	0.3
Type SCG-5 (4.625" Window)				
 <p>wt. = 45 lbs.</p>	200	7525A47G01	0.6	0.6
	300	7525A47G02	0.3	0.3
	400	7525A47G03	0.3	0.3
	600	7525A47G04	0.3	0.3
	800	7525A47G05	0.3	0.3
	1000	7525A47G06	0.3	0.3
	1200	7525A47G07	0.3	0.3
	1500	7525A47G08	0.3	0.3
	2000	7525A47G09	0.3	0.3
	2500	7525A47G10	0.3	0.3
	3000	7525A47G11	0.3	0.3
	4000	7525A47G12	0.3	0.3
	5000	7525A47G13	0.3	0.3
6000	7525A47G14	0.3	0.3	

PB 42-880

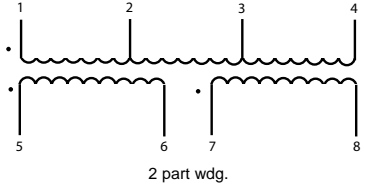


Accuracy			Relay Accuracy	Rating Factor (30°C Amb.)	Thermal Rating (x Normal, 1 sec.)
B0.5	B0.9	B1.8			
			C10	2.0	100
2.4			C20	2.0	100
2.4			C50	2.0	100
0.6	1.2	2.4	C50	2.0	100
0.6	1.2	1.2	C100	2.0	100
0.3	0.6	0.6	C100	2.0	100
0.3	0.3	0.6	C200	2.0	100
0.3	0.3	0.3	C200	2.0	100
0.3	0.3	0.3	C400	2.0	100
0.3	0.3	0.3	C400	1.5	80
0.3	0.3	0.3	C400	1.5	80
0.3	0.3	0.3	C800	1.5	80
0.3	0.3	0.3	C800	1.33	60
0.3	0.3	0.3	C800	1.33	60
0.3	0.3	0.3	C800	1.33	60
0.6	1.2	2.4	C50	2.0	100
0.3	0.6	1.2	C100	2.0	100
0.3	0.3	0.6	C100	2.0	100
0.3	0.3	0.3	C200	2.0	100
0.3	0.3	0.3	C200	2.0	100
0.3	0.3	0.3	C400	1.5	80
0.3	0.3	0.3	C400	1.5	80
0.3	0.3	0.3	C400	1.5	80
0.3	0.3	0.3	C400	1.33	60
0.3	0.3	0.3	C400	1.33	60
0.3	0.3	0.3	C400	1.33	60
0.3	0.3	0.3	C400	1.33	60
0.3	0.3	0.3	C400	1.33	60
1.2	2.4	2.4	C50	2.0	100
0.6	1.2	1.2	C50	2.0	100
0.3	0.6	0.6	C100	2.0	100
0.3	0.3	0.6	C100	2.0	100
0.3	0.3	0.3	C200	2.0	100
0.3	0.3	0.3	C200	2.0	100
0.3	0.3	0.3	C200	2.0	100
0.3	0.3	0.3	C400	2.0	100
0.3	0.3	0.3	C400	2.0	100
0.3	0.3	0.3	C400	1.33	60
0.3	0.3	0.3	C400	1.33	60
0.3	0.3	0.3	C400	1.33	60
0.3	0.3	0.3	C400	1.33	60
0.3	0.3	0.3	C400	1.33	60

AUXILIARY CURRENT TRANSFORMERS

Indoor
Test Voltage: 2500 Volts
 25 Through 60 Hertz

Multi-Ratio Winding Development
 tapped wdg.

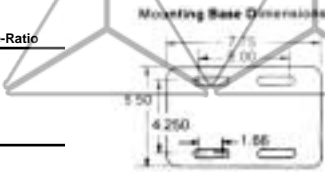


2 part wdg.

Ratio	Style Number	Winding Turns			Winding Turns	
		1-2	2-3	3-4	5-6	7-8
Multi	7881A02G01	160	40	67	800	800
Multi	7881A02G02	160	40	67	200	200
Multi	7881A02G03	80	20	33	80	80
Multi	7881A02G04	80	20	33	800	800
Multi	7881A02G05	80	20	33	400	400
Multi	7881A02G06	80	20	33	100	100
Multi	7881A02G07	195	7	32	117	117
Multi	7881A03G01	125	25	50	25	25
Multi	7881A03G02	160	40	67	40	40
Multi	7881A03G03	160	40	67	80	80
Multi	7881A03G04	160	40	67	400	400
Single						
		H_1	H_2	X_1	X_2	
5.5	7881A01G01	140			140	
10.5	7881A01G02	70			140	
15.5	7881A01G03	47			141	

Dimensions (inches)

	Dimensions & Weights	
	Multi-Ratio	Single-Ratio
Height	6.94	6.37
Width	5.50	5.75
Length	8.37	7.75
Weight	27	25



Typical Accuracy Values at 800 ampere turns are:

Relay	Meter
Multi-Ratio: T40	0.3 @ 2.5 VA, 0.6 @ 5.0 thru 45 VA (90% pf)
Single Ratio: T30	Same

Auxiliary CT's offer a wide selection of turns ratios for use in changing the overall ratio of main CT's. Available ratios can be determined from the wdg. turns tabulation. The max. continuous current rating of multi-ratio transfs. can be calculated as follows:

Full wdg. $I_{max} = 1600 / \text{Full wdg. turns}$

$$\text{Tap conn. } I_{max} = \sqrt{\frac{\text{Full wdg. turns}}{\text{Tap turns}} \times \frac{1600}{\text{Full wdg. turns}}} \quad \left. \vphantom{\frac{\text{Full wdg. turns}}{\text{Tap turns}}} \right\} \begin{array}{l} \text{2 part wdg.} \\ \text{fully utilized} \end{array}$$

Example: 7881A02G03

Wdg. 1-4 = 133 turns, $I_{max} = 1600 / 133 = 12 \text{ mps.}$

2 part wdg. (series) = 160 turns, $I_{max} = 1600 / 160 = 10 \text{ amps.}$

2 part wdg. (//) = 80 turns, $I_{max} = 1600 / 80 = 20 \text{ amps.}$




$$\text{Tap conn. 1-2} = 80 \text{ turns, } I_{max} = \sqrt{\frac{133}{80} \times \frac{1600}{133}} = 15.5 \text{ amps.}$$

Single ratio auxiliary CT's have a nominal output of 5 amperes and a continuous current rating factor of 1.33.

LOW VOLTAGE SWITCHGEAR

TYPE DSM



	Primary Current Rating	Style Number	IEEE Meter B0.1	B0.2
Type DSM-16 (800–2000A DS Breaker)				
 <p>wt. = 2.4 lbs.</p>	100	449D701G01	1.2	
	150	449D701G02	1.2	
	200	449D701G03	1.2	1.2
	300	449D701G04	0.6	0.6
	400	449D701G05	0.3	0.6
	600	449D701G06	0.3	0.3
	800	449D701G07	0.3	0.3
	1200	449D701G08	0.3	0.3
	1500	449D701G18	0.3	0.3
	1600	449D701G09	0.3	0.3
2000	449D701G10	0.3	0.3	
Type DSM-32 (3200A DS Breaker)				
 <p>wt. = 5.5 lbs.</p>	2400	449D701G11	0.3	0.3
	2500	449D701G14	0.3	0.3
	3000	449D701G15	0.3	0.3
	3200	449D701G12	0.3	0.3
	4000	449D701G13	0.3	0.3
Mounting brackets required on Phase B only –				
Type DSM-40 (4000A DS Breaker)				
 <p>wt. = 7.0 lbs.</p>	4000	151D026G01	0.3	0.3
	5000	151D026G02	0.3	0.3
	6000	151D026G03	0.3	0.3

PB 42-862

U.L. Recognized


File No. E96461

600 Volts, Indoor

10 kV BIL, 25 thru 400 Hz

Mechanical Rating:

180 x Normal

Dimensioned for bus
Structure mounting on 
DS Circuit Breakers

Accuracy			Rating	Thermal
B0.5	B0.9	B1.8	Factor	Rating
			(30°C Amb.)	(x Normal, 1 sec.)

			2.0	100
			2.0	100
			2.0	100
1.2	2.4		2.0	100
1.2	1.2		2.0	100
0.6	1.2	1.2	1.5	80
0.3	0.6	1.2	1.5	80
0.3	0.3	0.6	1.33	60
0.3	0.3	0.6	1.33	60
0.3	0.3	0.3	1.33	60
0.3	0.3	0.3	1.33	60

0.3	0.3	0.6	1.33	60
0.3	0.3	0.6	1.33	60
0.3	0.3	0.3	1.33	60
0.3	0.3	0.3	1.33	60
0.3	0.3	0.3	1.33	60

0.3	0.3	0.3	1.33	60
0.3	0.3	0.3	1.33	60
0.3	0.3	0.3	1.33	60

MEDIUM VOLTAGE SWITCHGEAR

TYPE RCT

Indoor
Test Voltage: 2500V
25 thru 400 Hertz



	Primary Current Rating ①	Style Number	IEEE Meter	
			B0.1	B0.2
Type RCT-5				
	50	593C309G01	1.2	
	75	593C303G01	0.6	1.2
	100	593C310G01	0.6	1.2
	150	593C320G01	0.6	0.6
	200	593C330G01	0.6	0.6
	250	593C343G01	0.6	0.6
	300	593C350G01	0.6	0.6
	400	593C370G01	0.3	0.3
	600	593C400G01	0.3	0.3
	800	593C420G01	0.3	0.3
	1000	593C433G01	0.3	0.3
	1200	593C440G01	0.3	0.3
	1500	593C470G01	0.3	0.3
	2000	593C480G01	0.3	0.3
	2500	593C530G01	0.3	0.3
	3000	593C552G01	0.3	0.3
Type RCT-15				
	50	593C308G01	2.4	
	75	593C304G01	0.6	1.2
	100	593C311G01	0.6	1.2
	150	593C321G01	0.6	0.6
	200	593C332G01	0.6	0.6
	250	593C344G01	0.6	0.6
	300	593C352G01	0.3	0.3
	400	593C372G01	0.3	0.3
	600	593C403G01	0.3	0.3
	800	593C421G01	0.3	0.3
	1000	593C434G01	0.3	0.3
	1200	593C443G01	0.3	0.3
	1500	593C472G01	0.3	0.3
	2000	593C484G01	0.3	0.3
	2500	593C532G01	0.3	0.3
	3000	593C553G01	0.3	0.3
	4000	593C581G01	0.3	0.3
Type RCT-7				
	2000	593C516G01	0.3	0.3
	2500	593C537G01	0.3	0.3
	3000	593C572G01	0.3	0.3
	4000	593C592G01	0.3	0.3
	5000	593C604G01	0.3	0.3

PB 42-854

Mechanical Rating: 180 x Normal

Thermal Rating: 180 x rated current, 1 second

Continuous Current Rating Factor:

1.33 at 30°C Ambient

1.00 at 55°C Ambient

U.L. Recognized File No. E96461

Primary Current	Type	Dimensions (Inches)					
		A	B	C	D	E	F
50 thru 600	RCT-5	4.00	6.88	7.00	4.00	2.0	2.0
800 thru 3000	RCT-5	4.81	6.88	7.00	4.00	2.0	2.0
50 thru 600	RCT-15	5.75	9.50	6.75	5.50	2.12	1.5
800 thru 4000	RCT-15	6.56	9.50	6.75	5.50	2.12	1.5
2000 thru 5000	RCT-7	7.00	9.50	6.75	5.50	2.12	1.5

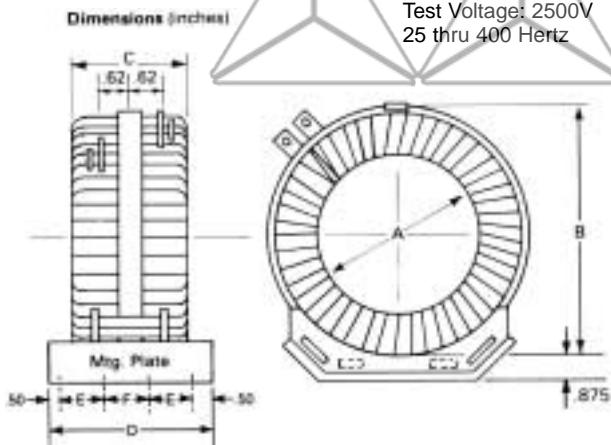
Accuracy			Relay Accuracy	Weight
B0.5	B0.9	B1.8		
			C10	34
2.4			C20	33
2.4			C20	34
1.2			C50	34
1.2	1.2	2.4	C50	29
0.6	1.2	1.2	C50	30
1.2	1.2	2.4	C20	21
1.2	1.2	2.4	C100	28
0.3	0.3	0.6	C100	25
0.3	0.3	0.6	C50	15
0.3	0.3	0.6	C50	16
0.3	0.3	0.3	C100	18
0.3	0.3	0.3	C100	20
0.3	0.3	0.3	C100	20
0.3	0.3	0.3	C100	21
0.3	0.3	0.3	C100	23

			C20	67
2.4			C20	65
2.4			C50	65
1.2			C50	62
0.6	1.2	2.4	C100	64
0.6	0.6	1.2	C100	64
0.6	0.6	1.2	C100	66
0.3	0.6	0.6	C200	66
0.3	0.3	0.6	C200	59
0.3	0.3	0.6	C100	38
0.3	0.3	0.3	C200	33
0.3	0.3	0.3	C200	33
0.3	0.3	0.3	C200	36
0.3	0.3	0.3	C200	35
0.3	0.3	0.3	C100	25
0.3	0.3	0.3	C100	25
0.3	0.3	0.3	C100	28

0.3	0.3	0.3	C400	41
0.3	0.3	0.3	C400	35
0.3	0.3	0.3	C400	37
0.3	0.3	0.3	C200	36
0.3	0.3	0.3	C200	38

MEDIUM VOLTAGE SWITCHGEAR CT's

TYPE RTL



Indoor

Test Voltage: 2500V
25 thru 400 Hertz

Mechanical Rating: 180 x Normal

Thermal Rating: 60 x rated current,
1 second

Continuous Current Rating Factor:

1.33 at 30°C Ambient

1.00 at 55°C Ambient

	Primary Current Rating ①	Style Number	IEEE Meter B0.1 B0.2	
Type RTL-5				
	150	3834A03G01	0.6	1.2
	200	3834A04G01	0.6	1.2
	250	3834A05G01	0.6	1.2
	300	3834A06G01	0.6	1.2
	400	3834A07G01	0.3	0.6
	600	3834A09G01	0.3	0.3
	800	3834A10G01	0.3	0.3
	1000	3834A11G01	0.3	0.3
	1200	3834A19G01	0.3	0.3
	1500	3834A20G01	0.3	0.3
	2000	3834A14G01	0.3	0.3
Type RTL-15				
	150	3834A23G01	0.6	1.2
	200	3834A24G01	0.6	1.2
	250	3834A25G01	0.6	1.2
	300	3834A26G01	0.6	1.2
	400	3834A27G01	0.3	0.6
	600	3834A29G01	0.3	0.3
	800	3834A30G01	0.3	0.3
	1000	3834A31G01	0.3	0.3
	1200	3834A32G01	0.3	0.3
	1500	3834A33G01	0.3	0.3
Type RTL-7				
	2000	3834A34G01	0.3	0.3
	2500	3834A35G01	0.3	0.3
	3000	3834A36G01	0.3	0.3
	4000	3834A37G01	0.3	0.3



U.L. Recognized File No. E96461

Primary Current	Type	Limiting Dimensions (Inches)					
		A	B	C	D	E	F
150 thru 600	RTL-5	4.00	6.88	3.50	7.00	2.00	2.00
800 thru 1000	RTL-5	4.81	6.88	3.50	7.00	2.00	2.00
1200 thru 1500	RTL-5	4.81	6.88	3.75	7.00	2.00	2.00
2000	RTL-5	4.91	6.88	3.75	7.00	2.00	2.00
150 thru 600	RTL-15	5.75	9.50	3.38	6.75	2.12	1.50
800 thru 1500	RTL-15	6.56	9.50	3.38	6.75	2.12	1.50
2000 thru 4000	RTL-7	7.00	9.50	3.38	6.75	2.12	1.50

Accuracy			Relay Accuracy	Weight
B0.5	B0.9	B1.8		
			C20	17
			C20	15
			C20	15
			C20	13
1.2	1.2	2.4	C50	17
0.3	1.2	2.4	C50	14
0.3	1.2	1.2	C50	13
0.3	0.6	1.2	C50	13
0.3	0.3	0.3	C100	13
0.3	0.3	0.3	C100	13
0.3	0.3	0.3	C100	13

			C20	26
			C20	22
			C20	17
			C20	16
1.2	1.2	2.4	C50	22
0.3	1.2	2.4	C50	19
0.3	0.6	1.2	C50	15
0.3	0.6	1.2	C50	16
0.3	0.3	0.3	C100	18
0.3	0.3	0.3	C100	17

0.3	0.3	0.3	C100	17
0.3	0.3	0.3	C100	18
0.3	0.3	0.3	C100	17
0.3	0.3	0.3	C100	17

ordered separately.

MEDIUM VOLTAGE SWITCHGEAR CT's

TYPE BYZ



Indoor

Test Voltage: 2500V
25 thru 400 Hertz

U.L. Recognized
File No. E96461

Ratings:

Mechanical Rating: 180 x rated current
Thermal Rating: 100 x rated current for one second

Primary Current Rating	Style Number
50	592C102G01
100	592C102G03

TYPE BYZ-S



U.L. Recognized
File No. E96461

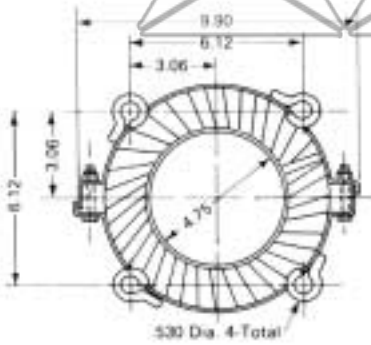
600 Volts, Indoor
10 kV BIL, 25 thru 400 Hz

Mechanical Rating:
180 x Normal

Thermal Rating:
100 x Rated Current, 1 Second

Primary Current Rating
50
100

PB 42-856



Window Diameter (inches)

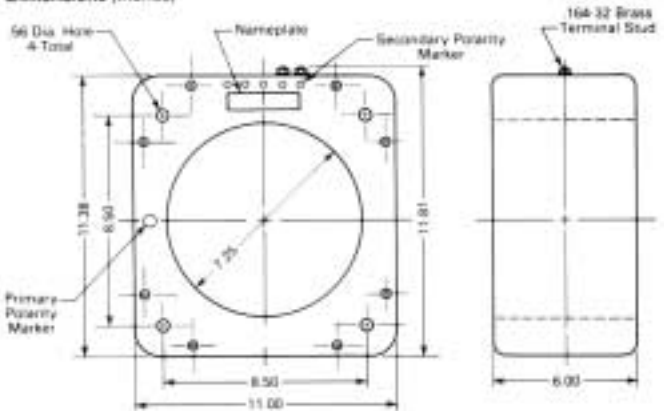
Relay Accuracy Class

4.75
4.75

C15
C30

PB 42-861

Dimensions (inches)



Style Number

Relay Accuracy Class

6353C97H01
6353C97H02

C10
C20

MEDIUM VOLTAGE SWITCHGEAR CT's

TYPE SCV



U.L. Recognized

File No. E96461

600 Volts, Indoor

10 kV BIL, 25 thru 400 Hz

Mechanical Rating:

180 x Normal

Thermal Rating:

80 x Rated Current, 1 Second

Continuous Current Rating Factor:

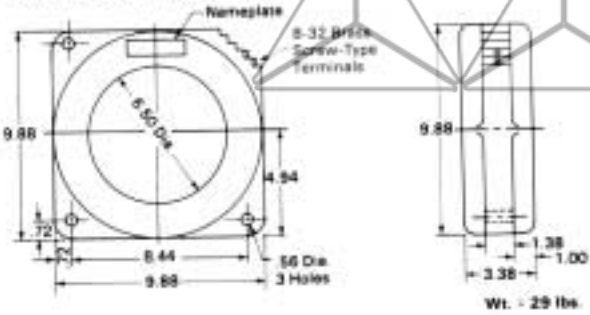
2.0 at 30°C Ambient

1.5 at 55°C Ambient

Primary Current Rating	Style Number	IEEE B0.1
75	6353C88H20	2.4
100	6353C88H01	1.2
150	6353C88H02	0.6
200	6353C88H03	0.6
250	6353C88H04	0.6
300	6353C88H05	0.3
400	6353C88H06	0.3
500	6353C88H07	0.3
600	6353C88H08	0.3
800	6353C88H09	0.3
1000	6353C88H10	0.3
1200	6353C88H11	0.3
1500	6353C88H12	0.3
2000	6353C88H13	0.3
2500	6353C88H14	0.3
3000	6353C88H15	0.3
4000	6353C88H16	0.3
Multi-Ratio, IEEE, 5 Terminals		
600 MR	6350C23H01	0.3
1200 MR	6350C24H01	0.3
2000 MR	6350C25H01	0.3
3000 MR	6350C26H01	0.3
4000 MR	6350C27H01	0.3

PB 42-860

Dimensions (inches)



Meter Accuracy				Relay Accuracy
B0.2	B0.5	B0.9	B1.8	

2.4				C10
2.4				C10
1.2	2.4			C20
0.6	1.2			C20
0.6	1.2	2.4		C20
0.6	1.2	1.2	2.4	C20
0.3	0.6	1.2	1.2	C50
0.3	0.3	0.6	1.2	C100
0.3	0.3	0.6	0.6	C100
0.3	0.3	0.3	0.6	C100
0.3	0.3	0.3	0.3	C200
0.3	0.3	0.3	0.3	C200
0.3	0.3	0.3	0.3	C200
0.3	0.3	0.3	0.3	C200
0.3	0.3	0.3	0.3	C200
0.3	0.3	0.3	0.3	C200
0.3	0.3	0.3	0.3	C200

0.3	0.3	0.6	0.6	C100
0.3	0.3	0.3	0.3	C200
0.3	0.3	0.3	0.3	C200
0.3	0.3	0.3	0.3	C200
0.3	0.3	0.3	0.3	C200

MEDIUM VOLTAGE SWITCHGEAR CT's

TYPE SCV-D



U.L. Recognized

File No. E96461

600 Volts, Indoor

10 kV BIL, 25 thru 400 Hz

Mechanical Rating:

180 x Normal

Thermal Rating:

80 x Rated Current, 1 Second

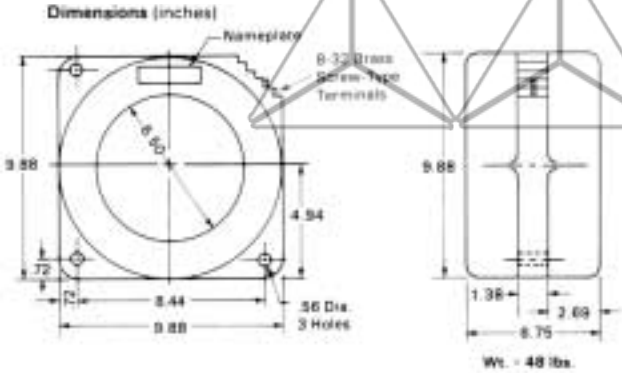
Continuous Current Rating Factor:

2.0 at 30°C Ambient

1.5 at 55°C Ambient

Primary Current Rating	Style Number	IEEE B0.1
50	6353C89H01	2.4
75	6353C89H02	1.2
100	6353C89H03	0.6
150	6353C89H04	0.6
200	6353C89H05	0.3
250	6353C89H06	0.3
300	6353C89H07	0.3
400	6353C89H08	0.3
500	6353C89H09	0.3
600	6353C89H10	0.3
800	6353C89H11	0.3
1000	6353C89H12	0.3
1200	6353C89H13	0.3
1500	6353C89H14	0.3
2000	6353C89H15	0.3
2500	6353C89H16	0.3
3000	6353C89H17	0.3
4000	6353C89H18	0.3
Multi-Ratio, IEEE, 5 Terminals		
600 MR	6436C46H01	0.3
1200 MR	6436C47H01	0.3
2000 MR	6436C48H01	0.3
3000 MR	6436C49H01	0.3
4000 MR	6436C50H01	0.3

PB 42-860A



Meter Accuracy				Relay Accuracy
B0.2	B0.5	B0.9	B1.8	

				C10
1.2	2.4			C20
1.2	2.4			C20
0.6	1.2	1.2	2.4	C50
0.3	0.6	1.2	2.4	C50
0.3	0.6	0.6	2.4	C50
0.3	0.3	0.6	1.2	C100
0.3	0.3	0.3	0.6	C100
0.3	0.3	0.3	0.3	C100
0.3	0.3	0.3	0.3	C200
0.3	0.3	0.3	0.3	C200
0.3	0.3	0.3	0.3	C200
0.3	0.3	0.3	0.3	C200
0.3	0.3	0.3	0.3	C400
0.3	0.3	0.3	0.3	C400
0.3	0.3	0.3	0.3	C400
0.3	0.3	0.3	0.3	C400
0.3	0.3	0.3	0.3	C400

0.3	0.3	0.3	0.6	C200
0.3	0.3	0.3	0.3	C400
0.3	0.3	0.3	0.3	C400
0.3	0.3	0.3	0.3	C400
0.3	0.3	0.3	0.3	C400

MEDIUM VOLTAGE SWITCHGEAR CT's

TYPE SAB



U.L. Recognized

File No. E96461

600 Volts, Indoor

10 kV BIL, 25 thru 400 Hz

Mechanical Rating:

180 x Normal

Thermal Rating:

80 x Rated Current, 1 Second

Continuous Current Rating Factor:

1.33 at 30°C Ambient

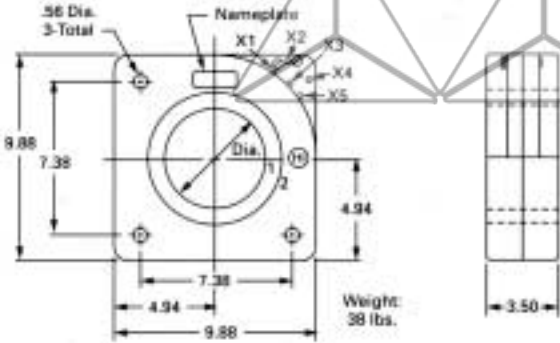
1.0 at 55°C Ambient

Primary Current Rating ①	Style Number	IEEE B0.1
Type SAB-1 (5.25" Window)		
50	9628A68G01	2.4
75	9628A68G02	1.2
100	9628A68G03	1.2
150	9628A68G04	0.6
200	9628A68G05	0.3
250	9628A68G06	0.3
300	9628A68G07	0.3
400	9628A68G08	0.3
500	9628A68G09	0.3
600	9628A68G10	0.3
800	9628A68G11	0.3
1000	9628A68G12	0.3
1200	9628A68G13	0.3
1500	9628A68G14	0.3
2000	9628A68G15	0.3
2500	9628A68G16	0.3
3000	9628A68G17	0.3
4000	9628A68G18	0.3
5000	9628a68G19	0.3
Multi-Ratio IEEE 5 Terminal		
600	9628A68G20	0.3
1200	9628A68G21	0.3
2000	9628A68G22	0.3
3000	9628A68G23	0.3
4000	9628A68G24	0.3
5000	9628A68G25	0.3
Type SAB-2 (6.50" Window)		
1500	9628A69G01	0.3
2000	9628A69G02	0.3
2500	9628A69G03	0.3
3000	9628A69G04	0.3
4000	9628A69G05	0.3
5000	9628A69G06	0.3
Multi-Ratio IEEE 5 Terminal		
2000	9628A69G07	0.3
3000	9628A69G08	0.3
4000	9628A69G09	0.3
5000	9628A69G10	0.3

① Secondary current is 5 Amperes at rated primary current.

PB 42-878

Dimensions (inches)



Meter Accuracy				Relay Accuracy
B0.2	B0.5	B0.9	B1.8	

4.8				C10
2.4	4.8			C10
2.4	4.8			C20
0.6	1.2	2.4	4.8	C20
0.3	0.6	1.2	2.4	C50
0.3	0.6	1.2	1.2	C50
0.3	0.3	1.2	1.2	C50
0.3	0.3	0.3	0.6	C100
0.3	0.3	0.3	0.6	C100
0.3	0.3	0.3	0.3	C100
0.3	0.3	0.3	0.3	C100
0.3	0.3	0.3	0.3	C100
0.3	0.3	0.3	0.3	C200
0.3	0.3	0.3	0.3	C200
0.3	0.3	0.3	0.3	C200
0.3	0.3	0.3	0.3	C400
0.3	0.3	0.3	0.3	C400
0.3	0.3	0.3	0.3	C400

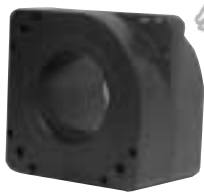
0.3	0.3	0.6	0.6	C100
0.3	0.3	0.3	0.3	C200
0.3	0.3	0.3	0.3	C200
0.3	0.3	0.3	0.3	C400
0.3	0.3	0.3	0.3	C400
0.3	0.3	0.3	0.3	C400

0.3	0.3	0.3	0.3	C200
0.3	0.3	0.3	0.3	C200
0.3	0.3	0.3	0.3	C200
0.3	0.3	0.3	0.3	C200
0.3	0.3	0.3	0.3	C200
0.3	0.3	0.3	0.3	C200

0.3	0.3	0.3	0.3	C200
0.3	0.3	0.3	0.3	C200
0.3	0.3	0.3	0.3	C200
0.3	0.3	0.3	0.3	C200

MEDIUM VOLTAGE SWITCHGEAR CT's

TYPE SAB-D



U.L. Recognized

File No. E96461

600 Volts, Indoor

10 kV BIL, 25 thru 400 Hz

Mechanical Rating:

180 x Normal

Thermal Rating:

80 x Rated Current, 1 Second

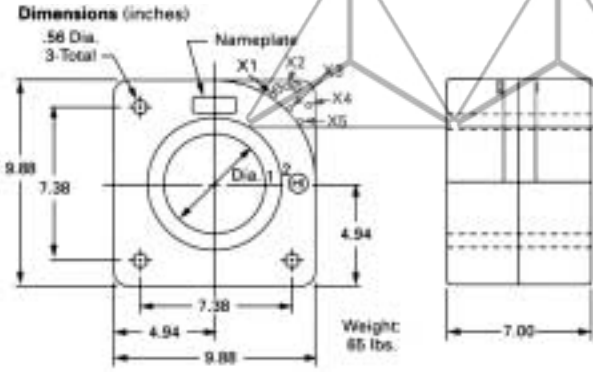
Continuous Current Rating Factor:

1.33 at 30°C Ambient

1.0 at 55°C Ambient

Primary Current Rating ^①	Style Number	IEEE B0.1
Type SAB-1D (5.25" Window)		
50	9628A70G01	2.4
75	9628A70G02	1.2
100	9628A70G03	0.6
150	9628A70G04	0.3
200	9628A70G05	0.3
250	9628A70G06	0.3
300	9628A70G07	0.3
400	9628A70G08	0.3
500	9628A70G09	0.3
600	9628A70G10	0.3
800	9628A70G11	0.3
1000	9628A70G12	0.3
1200	9628A70G13	0.3
1500	9628A70G14	0.3
2000	9628A70G15	0.3
2500	9628A70G16	0.3
3000	9628A70G17	0.3
4000	9628A70G18	0.3
5000	9628A70G25	0.3
Multi-Ratio IEEE 5 Terminal		
600	9628A70G19	0.3
1200	9628A70G20	0.3
2000	9628A70G21	0.3
3000	9628A70G22	0.3
4000	9628A70G23	0.3
5000	9628A70G24	0.3
Type SAB-2D (6.50" Window)		
1500	9628A71G01	0.3
2000	9628A71G02	0.3
2500	9628A71G03	0.3
3000	9628A71G04	0.3
4000	9628A71G05	0.3
5000	9628A71G06	0.3
Multi-Ratio IEEE 5 Terminal		
2000	9628A71G07	0.3
3000	9628A71G08	0.3
4000	9628A71G09	0.3
5000	9628A71G10	0.3

^① Secondary current is 5 Amperes at rated primary current.



Meter Accuracy				Relay Accuracy
B0.2	B0.5	B0.9	B1.8	

4.8				C20
2.4	4.8			C20
1.2	2.4			C50
0.6	1.2	4.8	4.8	C50
0.6	1.2	1.2	2.4	C100
0.3	0.6	1.2	2.4	C100
0.3	0.3	0.6	1.2	C100
0.3	0.3	0.6	1.2	C200
0.3	0.3	0.3	0.6	C200
0.3	0.3	0.3	0.3	C200
0.3	0.3	0.3	0.3	C200
0.3	0.3	0.3	0.3	C200
0.3	0.3	0.3	0.3	C400
0.3	0.3	0.3	0.3	C400
0.3	0.3	0.3	0.3	C400
0.3	0.3	0.3	0.3	C800
0.3	0.3	0.3	0.3	C800
0.3	0.3	0.3	0.3	C800

0.3	0.3	0.3	0.3	C200
0.3	0.3	0.3	0.3	C400
0.3	0.3	0.3	0.3	C800
0.3	0.3	0.3	0.3	C800
0.3	0.3	0.3	0.3	C800
0.3	0.3	0.3	0.3	C800

0.3	0.3	0.3	0.3	C400
0.3	0.3	0.3	0.3	C400
0.3	0.3	0.3	0.3	C400
0.3	0.3	0.3	0.3	C400
0.3	0.3	0.3	0.3	C400
0.3	0.3	0.3	0.3	C400

0.3	0.3	0.3	0.3	C400
0.3	0.3	0.3	0.3	C400
0.3	0.3	0.3	0.3	C400
0.3	0.3	0.3	0.3	C400

MEDIUM VOLTAGE SWITCHGEAR CT's

TYPE SCR



U.L. Recognized

File No. E96461

600 Volts, Indoor

10 kV BIL, 25 thru 400 Hz

Mechanical Rating:

180 x Normal

Thermal Rating:

80 x Rated Current, 1 Second

Continuous Current Rating Factor:

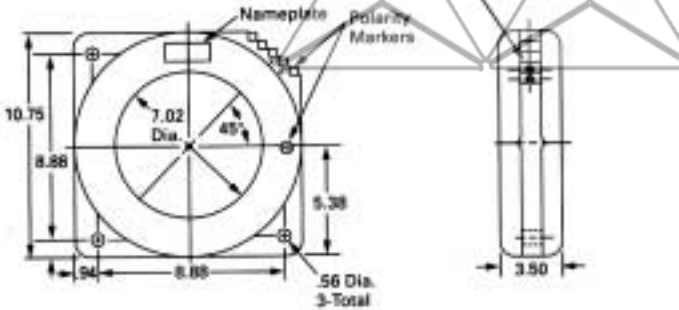
1.33 at 30°C Ambient

1.0 at 55°C Ambient

Primary Current Rating ^①	Style Number	IEEE B0.1
50	9628A62G17	4.8
75	9628A62G18	2.4
100	9628A62G01	2.4
150	9628A62G02	0.6
200	9628A62G03	0.6
250	9628A62G04	0.6
300	9628A62G05	0.6
400	9628A62G06	0.3
500	9628A62G07	0.3
600	9628A62G08	0.3
800	9628A62G09	0.3
1000	9628A62G10	0.3
1200	9628A62G11	0.3
1500	9628A62G12	0.3
2000	9628A62G13	0.3
2500	9628A62G14	0.3
3000	9628A62G15	0.3
4000	9628A62G16	0.3
Multi-Ratio IEEE 5 Terminal		
600	9628A64G01	0.3
1200	9628A64G02	0.3
2000	9628A64G03	0.3
3000	9628A64G04	0.3
4000	9628A64G05	0.3
5000	9628A64G06	0.3

^① Secondary current is 5 Amperes at rated primary current.

Dimensions (inches)



Meter Accuracy				Relay Accuracy
B0.2	B0.5	B0.9	B1.8	

4.8				C5
4.8				C10
4.8				C10
1.2	2.4			C20
1.2	1.2			C20
0.6	1.2	2.4		C20
0.6	0.6	1.2	2.4	C20
0.6	0.6	1.2	2.4	C50
0.3	0.3	0.6	1.2	C50
0.3	0.3	0.6	1.2	C100
0.3	0.3	0.6	0.6	C100
0.3	0.3	0.3	0.3	C100
0.3	0.3	0.3	0.3	C200
0.3	0.3	0.3	0.3	C200
0.3	0.3	0.3	0.3	C200
0.3	0.3	0.3	0.3	C200
0.3	0.3	0.3	0.3	C200
0.3	0.3	0.3	0.3	C200

0.3	0.3	0.6	1.2	C100
0.3	0.3	0.3	0.3	C200
0.3	0.3	0.3	0.3	C200
0.3	0.3	0.3	0.3	C200
0.3	0.3	0.3	0.3	C200
0.3	0.3	0.3	0.3	C200

MEDIUM VOLTAGE SWITCHGEAR CT's

TYPE SCR-D



U.L. Recognized

File No. E96461

600 Volts, Indoor

10 kV BIL, 25 thru 400 Hz

Mechanical Rating:

180 x Normal

Thermal Rating:

80 x Rated Current, 1 Second

Continuous Current Rating Factor:

1.33 at 30°C Ambient

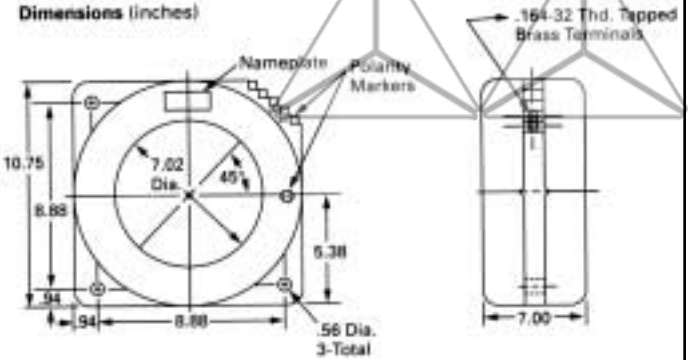
1.0 at 55°C Ambient

Primary Current Rating ^①	Style Number	IEEE B0.1
50	9628A63G17	1.2
75	9628A63G18	1.2
100	9628A63G01	0.6
150	9628A63G02	0.6
200	9628A63G03	0.3
250	9628A63G04	0.3
300	9628A63G05	0.3
400	9628A63G06	0.3
500	9628A63G07	0.3
600	9628A63G08	0.3
800	9628A63G09	0.3
1000	9628A63G10	0.3
1200	9628A63G11	0.3
1500	9628A63G12	0.3
2000	9628A63G13	0.3
2500	9628A63G14	0.3
3000	9628A63G15	0.3
4000	9628A63G16	0.3
Multi-Ratio IEEE 5 Terminal		
600	9628A65G01	0.3
1200	9628A65G02	0.3
2000	9628A65G03	0.3
3000	9628A65G04	0.3
4000	9628A65G05	0.3
5000	9628A65G06	0.3

^① Secondary current is 5 Amperes at rated primary current.

PB 42-879

Dimensions (inches)



Meter Accuracy				Relay Accuracy
B0.2	B0.5	B0.9	B1.8	

2.4				C10
1.2	2.4			C20
1.2	2.4			C20
0.6	1.2	1.2	2.4	C50
0.3	0.6	1.2	2.4	C50
0.3	0.6	0.6	2.4	C50
0.3	0.3	0.6	1.2	C100
0.3	0.3	0.3	0.6	C100
0.3	0.3	0.3	0.6	C100
0.3	0.3	0.3	0.3	C200
0.3	0.3	0.3	0.3	C200
0.3	0.3	0.3	0.3	C200
0.3	0.3	0.3	0.3	C200
0.3	0.3	0.3	0.3	C400
0.3	0.3	0.3	0.3	C400
0.3	0.3	0.3	0.3	C400
0.3	0.3	0.3	0.3	C400
0.3	0.3	0.3	0.3	C400

0.3	0.3	0.3	0.6	C200
0.3	0.3	0.3	0.3	C400
0.3	0.3	0.3	0.3	C400
0.3	0.3	0.3	0.3	C400
0.3	0.3	0.3	0.3	C400
0.3	0.3	0.3	0.3	C400

600V VOLTAGE TRANSFORMERS

TYPE PPD



U.L. Recognized

File No. E96461

600 Volts, Indoor

10 kV BIL, 60 Hz

Thermal Rating:

150 VA at 30°C Ambient

100 VA at 55°C Ambient

Type PPD



	Voltage	Ratio	Style Number
	69.3:120	0.58:1	7526A05G06
	120:120	1:1	7526A05G07
	208:120	1.73:1	7526A05G08
	240:120	2.1	7526A05G01
	288:120	2.4:1	7526A05G02
	300:120	2.5:1	7526A05G03
	380:120 ①	3.17:1	7526A05G09
	480:120	4.1	7526A05G04
	600:120	5:1	7526A05G05

TYPE PPM and PPX



U.L. Recognized

File No. E96461

600 Volts, Indoor and Outdoor

10 kV BIL, 60 Hz

Thermal Rating:

500 VA at 30°C Ambient

350 VA at 55°C Ambient

Type PPM



	Voltage	Ratio	Style Number
	240:120	2:1	7526A10G01
	288:120	2.4:1	7526A10G02
	300:120	2.5:1	7526A10G03
	480:120	4:1	7526A10G04
	600:120	5:1	7526A10G05
	120:120	1:1	7526A10G06

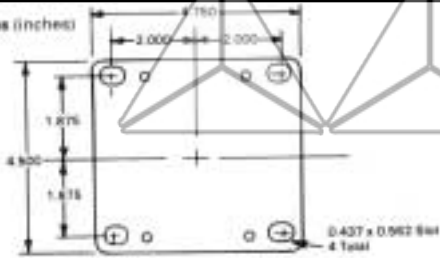
Type PPX



	120:120 ①	1:1	7525A16G01
	69.3:120	.578:1	7525A16G03
	400:120 ①	3.33:1	7525A16G04
	120:70 ①	1.714:1	7525A16G05

PB 42-872

Dimensions (inches)

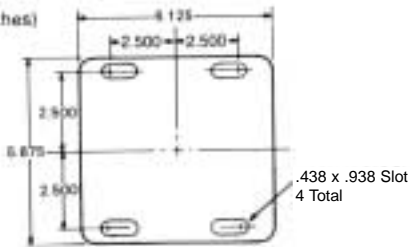


IEEE Meter Accuracy	Height	Width	Length	Weight
---------------------	--------	-------	--------	--------

0.6 Class	4.62	4.50	4.75	8.5
for W	4.62	4.50	4.75	8.5
1.2 Class	4.62	4.50	4.75	8.5
for X	4.62	4.50	4.75	8.5
Burdens	4.62	4.50	4.75	8.5
	4.62	4.50	4.75	8.5
	4.62	4.50	4.75	8.5
	4.62	4.50	4.75	8.5
	4.62	4.50	4.75	8.5

PB 42-873

Dimensions (inches)



IEEE Meter Accuracy	Height	Width	Length	Weight
---------------------	--------	-------	--------	--------

0.3 Class	5.87	5.87	6.12	19
for	5.87	5.87	6.12	19
W, X, M & Y	5.87	5.87	6.12	19
Burdens	5.87	5.87	6.12	19
	5.87	5.87	6.12	19
	5.87	5.87	6.12	19

0.6W-Y	5.87	5.87	6.12	19
0.3W, 0.6X-Y	5.87	5.87	6.12	19
0.3W, 0.6X-Y	5.87	5.87	6.12	19
0.3W, 0.6X-Y	5.87	5.87	6.12	19

5KV-8.7KV CURRENT TRANSFORMERS

TYPE KIR-60 AND KIR-75



Indoor
60 kV and 75 kV BIL
25 thru 400 Hertz

Mechanical Rating:

5 thru 600 amps, 150 x normal
800 amps, 110 x normal

Thermal Rating:

5 thru 600 amps, 100 x normal for 1 second
800 amps, 75 x normal for 1 second

KIR-60



NSV 5.0 kV 60 kV BIL

Primary Current Rating	Style Number	IEEE Meter Accuracy
5	7524A01G01	0.3 B0.1 through B1.8 All Ratings
10	7524A01G02	
15	7524A01G03	
20	7524A01G04	
25	7524A01G05	
30	7524A01G06	
40	7524A01G07	
50	7524A01G08	
75	7524A01G09	
100	7524A01G10	
150	7524A01G11	
200	7524A01G12	
300	7524A01G13	
400	7524A01G14	
500	7524A01G19	
600	7524A01G15	
800	7524A01G16	
1000	7524A01G21	
1200	7524A01G20	

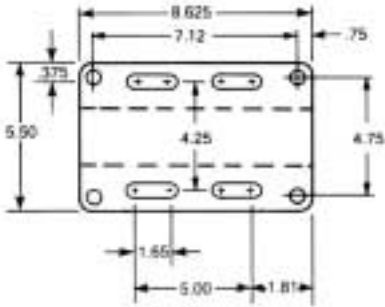
KIR-75



NSV 8.7 kV 75 kV BIL

5	7524A02G01	0.3 B0.1 through B1.8 All Ratings
10	7524A02G02	
15	7524A02G03	
20	7524A02G04	
25	7524A02G05	
30	7524A02G06	
40	7524A02G07	
50	7524A02G08	
75	7524A02G09	
100	7524A02G10	
150	7524A02G11	
200	7524A02G12	
300	7524A02G13	
400	7524A02G14	
600	7524A02G15	
800	7524A02G16	

Mounting Base Dimensions (Inches)

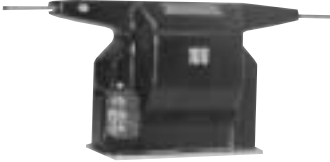


Relay Accuracy	Rating Factor (30°C Amb.)	Height	Width	Length	Weight
T100	1.5	8.06	6.12	15.0	35
T100	1.5	8.06	6.12	15.0	35
T100	1.5	8.06	6.12	15.0	35
T100	1.5	8.06	6.12	15.0	35
T100	1.5	8.06	6.12	15.0	35
T100	1.5	8.06	6.12	15.0	35
T100	1.5	8.06	6.12	15.0	35
T100	1.5	8.06	6.12	15.0	35
T100	1.5	8.06	6.12	15.0	35
T100	1.5	8.06	6.12	15.0	35
T100	1.5	8.06	6.12	15.0	35
T100	1.5	8.06	6.12	15.0	35
T100	1.5	8.06	6.12	15.0	38
T100	1.5	8.06	6.12	15.0	38
T80	1.5	8.06	6.12	15.0	38
T100	1.5	8.06	6.12	15.0	38
T100	1.33	8.06	6.12	15.0	38
T80	1.2	8.06	6.12	15.0	38
T100	1.0	8.06	6.12	15.0	38

T100	1.5	10.3	6.12	16.0	36
T100	1.5	10.3	6.12	16.0	36
T100	1.5	10.3	6.12	16.0	36
T100	1.5	10.3	6.12	16.0	36
T100	1.5	10.3	6.12	16.0	36
T100	1.5	10.3	6.12	16.0	36
T100	1.5	10.3	6.12	16.0	36
T100	1.5	10.3	6.12	16.0	36
T100	1.5	10.3	6.12	16.0	36
T100	1.5	10.3	6.12	16.0	36
T100	1.5	10.3	6.12	16.0	36
T100	1.5	10.3	6.12	16.0	36
T100	1.5	10.3	6.12	16.0	36
T100	1.5	10.3	6.12	16.0	39
T100	1.5	10.3	6.12	16.0	39
T100	1.5	10.3	6.12	16.0	39
T100	1.33	10.3	6.12	16.0	39

15KV CURRENT TRANSFORMERS

TYPE KIR-11



Indoor
110 kV BIL
25 thru 400 Hertz

Mechanical Rating:

5 thru 600 amps, 150 x normal
800 amps, 110 x normal

Thermal Rating:

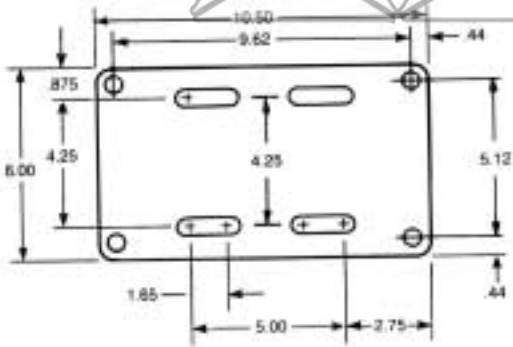
5 thru 600 amps, 100 x normal for 1 second
800 amps, 75 x normal for 1 second



NSV 15.0 kV 110 kV BIL

Primary Current Rating	Style Number	IEEE Meter Accuracy
5	7524A03G01	0.3 B0.1 through B1.8 All Ratings
10	7524A03G02	
15	7524A03G03	
20	7524A03G04	
25	7524A03G05	
30	7524A03G06	
40	7524A03G07	
50	7524A03G08	
75	7524A03G09	
100	7524A03G10	
150	7524A03G11	
200	7524A03G12	
300	7524A03G13	
400	7524A03G14	
600	7524A03G16	
800	7524A03G17	
1000	7524A03G21	
1200	7524A03G18	

Mounting Base Dimensions (inches)



Relay Accuracy	Rating Factor (30°C Amb.)	Height	Width	Length	Weight
T200	1.5	9.87	6.75	23	57
T200	1.5	9.87	6.75	23	57
T200	1.5	9.87	6.75	23	57
T200	1.5	9.87	6.75	23	57
T200	1.5	9.87	6.75	23	57
T200	1.5	9.87	6.75	23	57
T200	1.5	9.87	6.75	23	57
T200	1.5	9.87	6.75	23	57
T200	1.5	9.87	6.75	23	57
T200	1.5	9.87	6.75	23	57
T200	1.5	9.87	6.75	23	57
T200	1.5	9.87	6.75	23	57
T200	1.5	9.87	6.75	23	57
T200	1.5	9.87	6.75	23	62
T200	1.5	9.87	6.75	23	62
T200	1.5	9.87	6.75	23	62
T200	1.33	9.87	6.75	23	62
T150	1.00	9.87	6.75	23	62
T200	1.00	9.87	6.75	23	62

15-36KV OUTDOOR CURRENT TRANSFORMERSS

TYPE KOTD

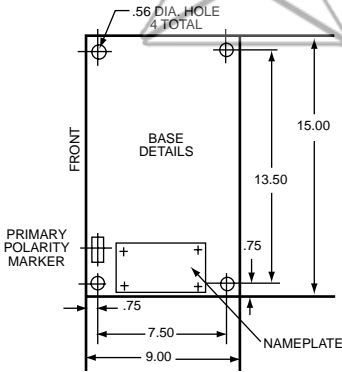


Outdoor
110, 150, 200 kV BIL
50/60 Hertz

Tube Type
5 Inch ID

	Primary Amps	Style Number	IEEE Meter Accuracy
KOTD-110 Tube Type NSV 15 kV, 110 kV BIL	200/400	923A142G01	0.3B0.5
	300/600	923A142G02	0.3B0.9
	400/800	923A142G03	0.3B1.8
	500/1000	923A142G04	0.3B1.8
	600/1200	923A142G05	0.3B1.8
	800/1600	923A142G06	0.3B1.8
	1000/2000	923A142G07	0.3B1.8
	1500/3000	923A142G08	0.3B1.8
	2000/4000	923A142G09	0.3B1.8
	2500/5000	923A142G10	0.3B1.8
KOTD-150 Tube Type NSV 25 kV, 150 kV BIL	200/400	923A156G01	0.3B0.5
	300/600	923A156G02	0.3B0.9
	400/800	923A156G03	0.3B1.8
	500/1000	923A156G04	0.3B1.8
	600/1200	923A156G05	0.3B1.8
	800/1600	923A156G06	0.3B1.8
	1000/2000	923A156G07	0.3B1.8
	1500/3000	923A156G08	0.3B1.8
	2000/4000	923A156G09	0.3B1.8
	2500/5000	923A156G10	0.3B1.8
KOTD-200 Tube Type NSV 36 kV, 200 kV BIL	200/400	923A170G01	0.3B0.5
	300/600	923A170G02	0.3B0.9
	400/800	923A170G03	0.3B1.8
	500/1000	923A170G04	0.3B1.8
	600/1200	923A170G05	0.3B1.8
	800/1600	923A170G06	0.3B1.8
	1000/2000	923A170G07	0.3B1.8
	1500/3000	923A170G08	0.3B1.8
	2000/4000	923A170G09	0.3B1.8
	2500/5000	923A170G10	0.3B1.8

PB 42-940



IEEE Relay* Accuracy	Rating Factor	Height	Width	Length	Weight
C100/200	2.0/2.0	20.0	14.7	17.0	220
C100/200	2.0/2.0	20.0	14.7	17.0	220
C200/400	2.0/2.0	20.0	14.7	17.0	220
C200/400	2.0/2.0	20.0	14.7	17.0	220
C200/400	2.0/2.0	20.0	14.7	17.0	220
C200/400	2.0/2.0	20.0	14.7	17.0	220
C400/800	2.0/2.0	20.0	14.7	17.0	220
C400/800	2.0/1.5	20.0	14.7	17.0	220
C400/800	2.0/1.25	20.0	14.7	17.0	220
C400/800	2.0/1.0	20.0	14.7	17.0	220
C100/200	2.0/2.0	22.5	14.7	17.0	245
C100/200	2.0/2.0	22.5	14.7	17.0	245
C200/400	2.0/2.0	22.5	14.7	17.0	245
C200/400	2.0/2.0	22.5	14.7	17.0	245
C200/400	2.0/2.0	22.5	14.7	17.0	245
C200/400	2.0/2.0	22.5	14.7	17.0	245
C400/800	2.0/2.0	22.5	14.7	17.0	245
C400/800	2.0/1.5	22.5	14.7	17.0	245
C400/800	2.0/1.25	22.5	14.7	17.0	245
C400/800	2.0/1.0	22.5	14.7	17.0	245
C100/200	2.0/2.0	25.0	14.7	17.0	260
C100/200	2.0/2.0	25.0	14.7	17.0	260
C200/400	2.0/2.0	25.0	14.7	17.0	260
C200/400	2.0/2.0	25.0	14.7	17.0	260
C200/400	2.0/2.0	25.0	14.7	17.0	260
C200/400	2.0/2.0	25.0	14.7	17.0	260
C400/800	2.0/2.0	25.0	14.7	17.0	260
C400/800	2.0/1.5	25.0	14.7	17.0	260
C400/800	2.0/1.25	25.0	14.7	17.0	260
C400/800	2.0/1.0	25.0	14.7	17.0	260

15-36KV OUTDOOR CURRENT TRANSFORMERSS

TYPE KOTD



Outdoor
110, 150, 200 kV BIL
60 Hertz

Bar Type

	Primary Amps	Style Number	IEEE Meter Accuracy
KOTD-110 Bar Type NSV 15 kV, 110 kV BIL	200/400	923A148G01	0.3B0.5
	300/600	923A148G02	0.3B0.9
	400/800	923A148G03	0.3B1.8
	500/1000	923A148G04	0.3B1.8
	600/1200	923A148G05	0.3B1.8
	800/1600	923A148G06	0.3B1.8
	1000/2000	923A148G07	0.3B1.8
	1500/3000	923A148G08	0.3B1.8
	2000/4000	923A148G09	0.3B1.8
	2500/5000	923A148G10	0.3B1.8
KOTD-150 Bar Type NSV 25 kV, 150 kV BIL	200/400	923A162G01	0.3B0.5
	300/600	923A162G02	0.3B0.9
	400/800	923A162G03	0.3B1.8
	500/1000	923A162G04	0.3B1.8
	600/1200	923A162G05	0.3B1.8
	800/1600	923A162G06	0.3B1.8
	1000/2000	923A162G07	0.3B1.8
	1500/3000	923A162G08	0.3B1.8
	2000/4000	923A162G09	0.3B1.8
	2500/5000	923A162G10	0.3B1.8
KOTD-200 Bar Type NSV 36 kV, 200 kV BIL	200/400	923A176G01	0.3B0.5
	300/600	923A176G02	0.3B0.9
	400/800	923A176G03	0.3B1.8
	500/1000	923A176G04	0.3B1.8
	600/1200	923A176G05	0.3B1.8
	800/1600	923A176G06	0.3B1.8
	1000/2000	923A176G07	0.3B1.8
	1500/3000	923A176G08	0.3B1.8
	2000/4000	923A176G09	0.3B1.8
	2500/5000	923A176G10	0.3B1.8

PB 42-940



IEEE Relay* Accuracy	Rating Factor	Height	Width	Length	Weight
C100/200	2.0/2.0	20.0	14.7	25.0	235
C100/200	2.0/2.0	20.0	14.7	25.0	235
C200/400	2.0/2.0	20.0	14.7	25.0	235
C200/400	2.0/2.0	20.0	14.7	25.0	235
C200/400	2.0/2.0	20.0	14.7	25.0	235
C200/400	2.0/2.0	20.0	14.7	25.0	235
C400/800	2.0/2.0	20.0	14.7	25.0	235
C400/800	2.0/1.5	20.0	14.7	25.0	235
C400/800	2.0/1.25	20.0	14.7	25.0	235
C400/800	2.0/1.0	20.0	14.7	25.0	235
<hr/>					
C100/200	2.0/2.0	22.5	14.7	25.0	260
C100/200	2.0/2.0	22.5	14.7	25.0	260
C200/400	2.0/2.0	22.5	14.7	25.0	260
C200/400	2.0/2.0	22.5	14.7	25.0	260
C200/400	2.0/2.0	22.5	14.7	25.0	260
C200/400	2.0/2.0	22.5	14.7	25.0	260
C400/800	2.0/2.0	22.5	14.7	25.0	260
C400/800	2.0/1.5	22.5	14.7	25.0	260
C400/800	2.0/1.25	22.5	14.7	25.0	260
C400/800	2.0/1.0	22.5	14.7	25.0	260
<hr/>					
C100/200	2.0/2.0	25.0	14.7	25.0	275
C100/200	2.0/2.0	25.0	14.7	25.0	275
C200/400	2.0/2.0	25.0	14.7	25.0	275
C200/400	2.0/2.0	25.0	14.7	25.0	275
C200/400	2.0/2.0	25.0	14.7	25.0	275
C200/400	2.0/2.0	25.0	14.7	25.0	275
C400/800	2.0/2.0	25.0	14.7	25.0	275
C400/800	2.0/1.5	25.0	14.7	25.0	275
C400/800	2.0/1.25	25.0	14.7	25.0	275
C400/800	2.0/1.0	25.0	14.7	25.0	275

5KV VOLTAGE TRANSFORMERS

TYPE VIY-60



Indoor
60 kV BIL
60 Hertz ①

Unfused

Thermal Rating: ②
1000 VA at 30°C
700 VA at 55°C

U.L. Recognized
File No. E148620

	Primary Voltage	Ratio	Style Number
Unfused	2400/4160Y	20:1	7525A50G01
	4200/4200Y	35:1	7525A50G02
	4800/4800Y	40:1	7525A50G03
2 Fuses	2400/4160Y	20:1	7525A51G01
	4200/4200Y	35:1	7525A51G02
	4800/4800Y	40:1	7525A51G03
1 Fuse ⑤	2400/4160GY	20:1	7525A52G01
	4200/4200GY③	35:1	7525A52G02
	4800/4200GY③	40:1	7525A52G03
Switchgear Style ④	2400/4160Y	20:1	7525A54G01
	4200/4200Y	35:1	7525A54G02
	4800/4800Y	40:1	7525A54G03
Switchgear Style ④⑤	2400/4160GY	20:1	7525A55G01
	4200/4200GY③	35:1	7525A55G02
	4800/4200GY③	40:1	7525A55G03
1 Fuse Non-indicating	2400/4160GY⑤	20:1	9628A11G01
	4200/4200GY⑤	35:1	9628A11G02
	4800/4200GY⑤	40:1	9628A11G03
2 Fuses Non-indicating	2400/4160Y	20:1	9628A12G01
	4200/4200Y	35:1	9628A12G02
	4800/4800Y	40:1	9628A12G03

① Consult Factory for 50 Hertz.

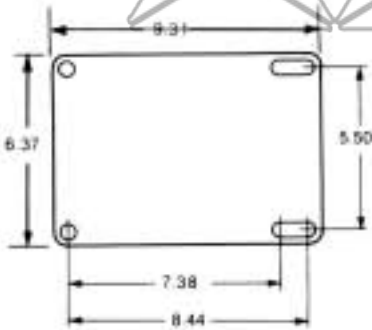
② Thermal and Accuracy ratings are at 120V secondary voltage.

③ Fluxed for line-to-line voltage; when connected line-to-ground, normal secondary voltage is 69.3 volts.

④ Switchgear style; similar to fused style except fuse, fuse clips and secondary terminal cover are omitted.

⑤ 1 Fully insulated primary terminal for line to ground connection only.

Mounting Base Dimensions (inches)



IEEE Meter Accuracy ²	Height	Width	Length	Weight
0.3W, X, M, Y	6.94	6.375	9.625	35
0.3W, X, M, Y	6.94	6.375	9.625	35
0.3W, X, M, Y	6.94	6.375	9.625	35
0.3W, X, M, Y	8.28	6.75	10.00	39
0.3W, X, M, Y	8.28	6.75	10.00	39
0.3W, X, M, Y	8.28	6.75	10.00	39
0.3W, X, M, Y	8.594	6.375	10.00	37
0.3W, X, M, Y	8.594	6.375	10.00	37
0.3W, X, M, Y	8.594	6.375	10.00	37
0.3W, X, M, Y	6.94	6.375	9.625	35
0.3W, X, M, Y	6.94	6.375	9.625	35
0.3W, X, M, Y	6.94	6.375	9.625	35
0.3W, X, M, Y	6.94	6.375	9.625	35
0.3W, X, M, Y	6.94	6.375	9.625	35
0.3W, X, M, Y	6.94	6.375	9.625	35
0.3W, X, M, Y	8.5	6.375	9.625	37
0.3W, X, M, Y	8.5	6.375	9.625	37
0.3W, X, M, Y	8.5	6.375	9.625	37
0.3W, X, M, Y	8.188	6.375	9.625	39
0.3W, X, M, Y	8.188	6.375	9.625	39
0.3W, X, M, Y	8.188	6.375	9.625	39

8.7KV and 15KV VOLTAGE TRANSFORMERS

TYPE VIZ-75 AND VIZ-11

Indoor
75 kV and 110 kV BIL
60 Hertz ①



Thermal Ratings: ②
1500 VA at 30°C
1000 VA at 55°C

U.L. Recognized
File No. E148620

	Primary Voltage	Ratio	Style Number
VIZ-75 75 kV BIL Unfused	2400/4160Y	20:1	7525A66G01
	4200/7280Y	35:1	7525A66G02
	4800/8320Y	40:1	7525A66G03
	7200/7200Y	60:1	7525A66G04
VIZ-11 110 kV BIL Unfused	7200/12470Y	60:1	7525A66G05
	8400/14560Y	70:1	7525A66G07
	12000/12000Y	100:1	7525A66G08
	14400/14400Y	120:1	7525A66G10
VIZ-75 75 kV BIL 2 Fuses	2400/4160Y	20:1	7525A67G01
	4200/7280Y	35:1	7525A67G02
	4800/8320Y	40:1	7525A67G03
	7200/7200Y	60:1	7525A67G04
VIZ-75 110 kV BIL 2 Fuses	7200/12470Y	60:1	7525A67G05
	8400/14560Y	70:1	7525A67G07
	12000/12000Y	100:1	7525A67G08
	14400/14400Y	120:1	7525A67G10
VIZ-75 75 kV BIL 1 Fuse ⑤	2400/4160GY	20:1	7525A68G01
	4200/7280GY	35:1	7525A68G02
	4800/8320GY	40:1	7525A68G03
	7200/7200GY ②	60:1	7525A68G04
VIZ-11 110 kV BIL 1 Fuse ⑤	7200/12470GY	60:1	7525A68G05
	8400/14560GY	70:1	7525A68G07
	12000/12000GY②	100:1	7525A68G08
	14400/14400GY②	120:1	7525A68G10
VIZ-75 75 kV BIL Switchgear Style ④	2400/4160Y	20:1	7525A70G01
	4200/7280Y	35:1	7525A70G02
	4800/8320Y	40:1	7525A70G03
	7200/7200Y	60:1	7525A70G04

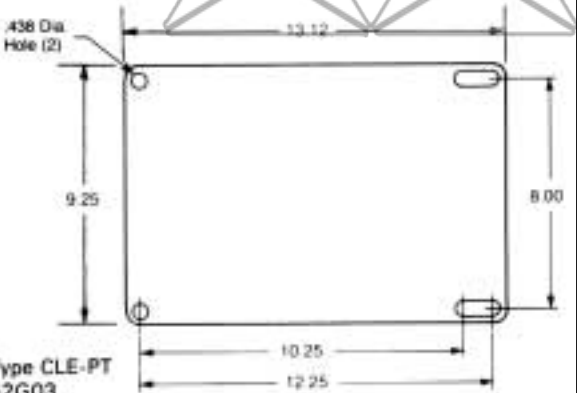
① Consult Factory for 50 Hertz.

② Thermal and Accuracy ratings are at 120V secondary voltage.

③ Fluxed for line-to-line voltage; when connected line-to-ground, normal secondary voltage is 69.3 volts.

PB 42-955

Dimensions (inches)



Fuses are Type CLE-PT
SN 677C452G03

IEEE Meter Accuracy ^②	Height	Width	Length	Weight
0.3W, X, M, Y, Z	9.00	9.25	13.12	65
0.3W, X, M, Y, Z	9.00	9.25	13.12	65
0.3W, X, M, Y, Z	9.00	9.25	13.12	65
0.3W, X, M, Y, Z	9.00	9.25	13.12	65
0.3W, X, M, Y, Z	9.00	9.25	13.12	65
0.3W, X, M, Y, Z	9.00	9.25	13.12	65
0.3W, X, M, Y, Z	9.00	9.25	13.12	65
0.3W, X, M, Y, Z	11.25	9.25	15.50	69
0.3W, X, M, Y, Z	11.25	9.25	15.50	69
0.3W, X, M, Y, Z	11.25	9.25	15.50	69
0.3W, X, M, Y, Z	11.25	9.25	15.50	69
0.3W, X, M, Y, Z	11.25	9.25	15.50	69
0.3W, X, M, Y, Z	11.25	9.25	15.50	69
0.3W, X, M, Y, Z	11.25	9.25	15.50	69
0.3W, X, M, Y, Z	12.18	9.25	15.50	67
0.3W, X, M, Y, Z	12.18	9.25	15.50	67
0.3W, X, M, Y, Z	12.18	9.25	15.50	67
0.3W, X, M, Y, Z	12.18	9.25	15.50	67
0.3W, X, M, Y, Z	12.18	9.25	15.50	67
0.3W, X, M, Y, Z	12.18	9.25	15.50	67
0.3W, X, M, Y, Z	12.18	9.25	15.50	67
0.3W, X, M, Y, Z	9.00	9.25	13.12	65
0.3W, X, M, Y, Z	9.00	9.25	13.12	65
0.3W, X, M, Y, Z	9.00	9.25	13.12	65
0.3W, X, M, Y, Z	9.00	9.25	13.12	65

④ Switchgear style; similar to fused style except fuse, fuse clips and secondary terminal cover are omitted.
 ⑤ 1 Fully insulated primary terminal for line to ground connection only.

8.7KV and 15KV VOLTAGE TRANSFORMERS

TYPE VIZ-75 AND VIZ-11 CONT'D

	Primary Voltage	Ratio	Style Number
VIZ-11 110 kV BIL Switchgear Style ^④	7200/12470Y 8400/14560Y 12000/12000Y 14400/14400Y	60:1 70:1 100:1 120:1	7525A70G05 7525A70G07 7525A70G08 7525A70G10
VIZ-75 75 kV BIL Switchgear Style ^{④⑤}	2400/4160GY 4200/7280GY 4800/8320GY 7200/7200GY ^③	20:1 35:1 40:1 60:1	7525A71G01 7525A71G02 7525A71G03 7525A71G04
VIZ-11 110 kV BIL Switchgear Style ^{④⑤}	7200/12470GY 8400/14560GY 12000/12000GY ^③ 14400/14400GY ^③	60:1 70:1 100:1 120:1	7525A71G05 7525A71G07 7525A71G08 7525A71G10

② Thermal and Accuracy ratings are at 120V secondary voltage.

③ Fluxed for line-to-line voltage; when connected line-to-ground, normal secondary voltage is 69.3 volts.

④ Switchgear style; similar to fused style except fuse, fuse clips and secondary terminal cover are omitted.

⑤ 1 Fully insulated primary terminal for line to ground connection only.

PB 42-955

**IEEE Meter
Accuracy[®]**

Height

Width

Length

Weight

0.3W, X, M, Y, Z	9.00	9.25	13.12	65
0.3W, X, M, Y, Z	9.00	9.25	13.12	65
0.3W, X, M, Y, Z	9.00	9.25	13.12	65
0.3W, X, M, Y, Z	9.00	9.25	13.12	65

0.3W, X, M, Y, Z	9.81	9.25	13.12	65
0.3W, X, M, Y, Z	9.81	9.25	13.12	65
0.3W, X, M, Y, Z	9.81	9.25	13.12	65
0.3W, X, M, Y, Z	9.81	9.25	13.12	65

0.3W, X, M, Y, Z	9.81	9.25	13.12	65
0.3W, X, M, Y, Z	9.81	9.25	13.12	65
0.3W, X, M, Y, Z	9.81	9.25	13.12	65
0.3W, X, M, Y, Z	9.81	9.25	13.12	65

25KV INDOOR VOLTAGE TRANSFORMERS

TYPE VIY-12G AND VIZ-12G



25kV, Indoor:
125 kV BIL

IEEE Meter Accuracy Class:

VIY-12G – 0.3 W, X, M and Y

VIZ-12G – 0.3 W, X, M, Y and Z

Thermal Rating:

1500VA Thermal at 30°C Ambient

750VA Thermal at 30°C Ambient

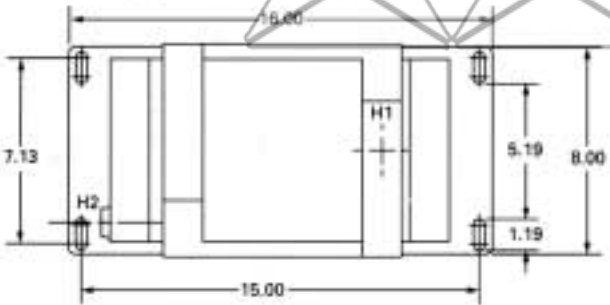
Fuses are Type CLE-PT

SN 677C452G04 0.5E

Primary Voltage	Winding Ratio	Style Number
Type VIY-12G Switchgear		
12000/20780GY	100:1	7881A75G01
14400/24940GY	120:1	7881A75G02
Type VIY-12G Fused		
12000/20780GY	100:1	7881A65G01
14400/24940GY	120:1	7881A65G02
Type VIZ-12G Switchgear		
12000/20780GY	100:1	7881A72G01
14400/24940GY	120:1	7881A72G02
Type VIZ-12G Fused		
12000/20780GY	100:1	7881A64G01
14400/24940GY	120:1	7881A64G02

PB 42-976A

Mounting Base Dimensions (Inches)



Voltage Factor	Height	Width	Length	Weight
1.9	12.13	8.0	16.00	102
1.9	12.13	8.0	16.00	102
1.9	14.75	8.0	19.00	105
1.9	14.75	8.0	19.00	105
1.25	12.13	8.0	16.00	102
1.25	12.13	8.0	16.00	102
1.25	14.75	8.0	19.00	105
1.25	14.75	8.0	19.00	105

25KV VOLTAGE TRANSFORMERS

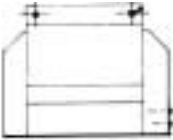
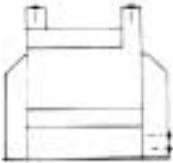
TYPE VIZ-12 AND VIZ-15



34.5 kV Indoor

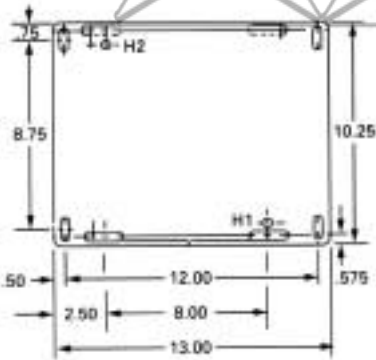
IEEE Meter Accuracy Class:
0.3 W, X, M, Y, Z and 1.2 ZZ
burdens at 120 volts

Thermal Rating:
2000VA Thermal at 30°C Ambient
1500VA Thermal at 30°C Ambient

	Primary Voltage	Winding Ratio	Style Number
 VIZ-12 125 Kv BIL	18000/18000Y	150:1	9628A33G01
	21000/21000Y	175:1	9628A33G02
	24000/24000y	200:1	9628A33G03
 VIZ-15	27600/27600Y	240:1	9628A34G01

PB 42-976

Mounting Base Dimensions (Inches)



Dimensions (inches)
Height Width

Length

Weight (lbs.)

10.50	10.25	13.00	110
10.50	10.25	13.00	110
10.50	10.25	13.00	110

12.38	10.25	13.00	120
-------	-------	-------	-----

25KV VOLTAGE TRANSFORMER

TYPE VIZ-15G



25kV, Indoor:
150 kV BIL

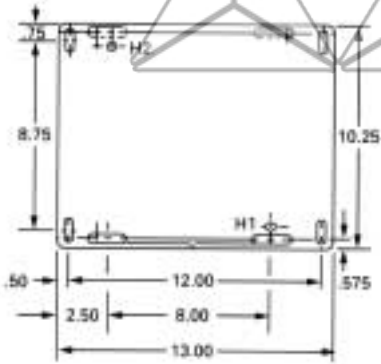
IEEE Meter Accuracy Class:
0.3 W, X, M, Y and Z

Thermal Rating:
2000VA Thermal at 30°C Ambient
1500VA Thermal at 30°C Ambient

Fuses are Type CLE-PT
SN 677C452G04 0.5E

Primary Voltage	Winding Ratio	Style Number
Type VIZ-15G Switchgear		
12000/20780GY	100:1	9629A81G01
14400/24940GY	120:1	9629A81G02
Type VIZ-15G Fused		
12000/20780GY	100:1	9629A82G01
14400/24940GY	120:1	9629A82G02

Mounting Base Dimensions (inches)



Height	Width	Length	Weight
--------	-------	--------	--------

12.38	10.25	13.00	120
12.38	10.25	13.00	120

14.69	10.25	17.88	122
14.69	10.25	17.88	122

34.5KV INDOOR VOLTAGE TRANSFORMERS

TYPE VIZ-20/VIZ-20G



34.5 kV NSV, Indoor:

200 kV BIL

IEEE Meter Accuracy Class:

0.3 W, X, M, Y and Z

Thermal Rating:

1000VA Thermal at 30°C Ambient

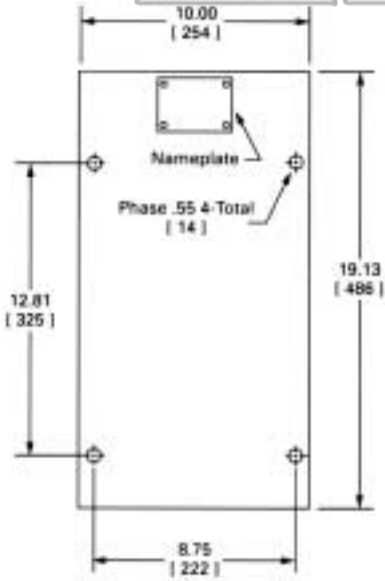
Primary Voltage	Winding Ratio	Style Number ^①
Type VIZ-20 Unfused		
20125/34500Y	175:1	7883A60G03
27600/27600Y	240:1	7883A60G02
34500/34500Y	300:1	7883A60G01
Type VIZ-20^② Fused		
20125/34500Y	175:1	7883A40G03
27600/27600Y	240:1	7883A40G02
34500/34500Y	300:1	7883A40G01
Type VIZ-20G Unfused		
20125/34500GY	175:1	7883A61G01
34500/34500GY	300:1	7883A61G02
Type VIZ-20G^② Fused		
20125/34500GY	175:1	7883A41G01
34500/34500GY	300:1	7883A41G02

^① Available in double secondary and tapped secondary designs.

^② 34.5kV, 0.5E, Style 677C452G05 fuse.

Mounting Base Dimensions (inches)

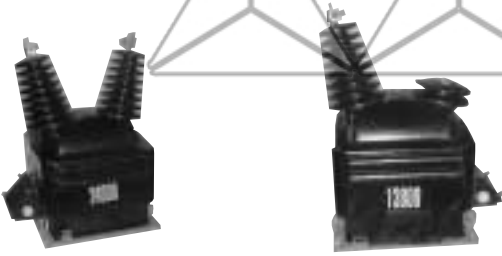
Baseplate Details



Height	Width	Length	Weight
16.5	16.25	19.1	161
16.5	16.25	19.1	161
16.5	16.25	19.1	161
16.5	16.25	19.4	165
16.5	16.25	19.4	165
16.5	16.25	19.4	165
16.5	16.25	19.1	148
16.5	16.25	19.1	148
16.5	16.25	19.4	150
16.5	16.25	19.4	150

25KV INDOOR

TYPE VIZZ-15 AND VIZZ-15G



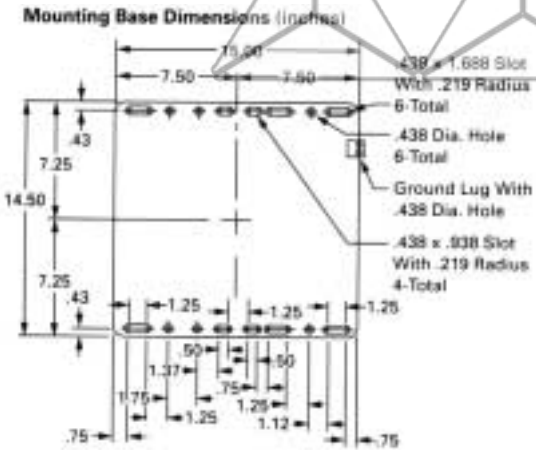
150 kV BIL, Indoor: 60 Hertz
Thermal Rating:
 3000VA Thermal at 30°C Ambient
 Available at other ratios and
 single tapped secondary or
 double secondary.

	Primary Voltage	Winding Ratio	Style Number ^①
Type VIZZ-15			
	12000/20800Y	100:1	7525A82G01
	14400/24940Y	120:1	7525A82G02
	18000/18000Y	150:1	7525A82G03
	24000/24000Y	200:1	7525A82G04
Type VIZZ-15G^②			
	12000/20800GY	100:1	7525A82G01
	14400/24940GY	120:1	7525A82G02

① Style with clamp type primary terminal. Stud type available.

② Single bushing.

PB 42-959



IEEE Meter Accuracy

Height

Width

Length

Weight

0.3 W, X, M, Y, Z, ZZ	22.3	16	18.6	205
0.3 W, X, M, Y, Z, ZZ	22.3	16	18.6	205
0.3 W, X, M, Y, Z, ZZ	22.3	16	18.6	205
0.3 W, X, M, Y, Z, ZZ	22.3	16	18.6	205

0.3 W, X, M, Y, Z, ZZ	22.3	15.6	18.6	205
0.3 W, X, M, Y, Z, ZZ	22.3	15.6	18.6	205

15-36KV OUTDOOR CURRENT TRANSFORMERSS

TYPE VOY-15 AND VOY-15G



Outdoor
150 kV BIL
60 Hertz

Thermal Rating:
1000VA at 30°C Ambient



VOY-15
150 kV BIL

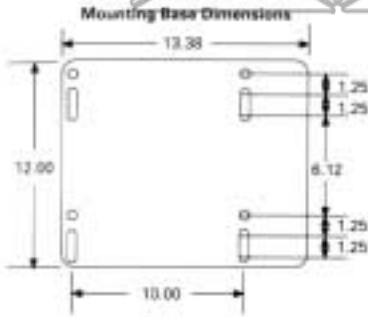
Primary Voltage	Ratio	Style Number ^①
12000/20780Y	100:1	7526A62G01
14400/24940Y	120:1	7526A62G02
18000/18000Y	150:1	7526A62G03
20000/20000Y	166.7:1	7526A62G04
24000/24000Y	200:1	7526A62G05



VOY-15G
150 kV BIL

12000/20780GY	100:1	7526A63G01
14400/24940GY	120:1	7526A63G02

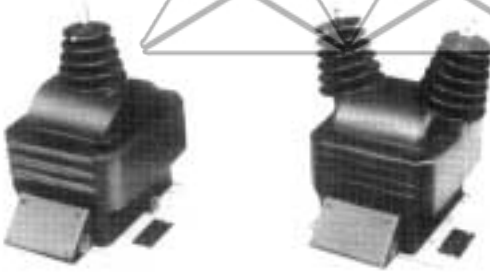
PB 42-970



IEEE Meter Accuracy	Height	Width	Depth	Weight
0.3 W, X, M, Y	19.00	15.87	16.94	148
0.3 W, X, M, Y	19.00	15.87	16.94	148
0.3 W, X, M, Y	19.00	15.87	16.94	148
0.3 W, X, M, Y	19.00	15.87	16.94	148
0.3 W, X, M, Y	19.00	15.87	16.94	148
0.3 W, X, M, Y	19.00	15.87	16.94	142
0.3 W, X, M, Y	19.00	15.87	16.94	142

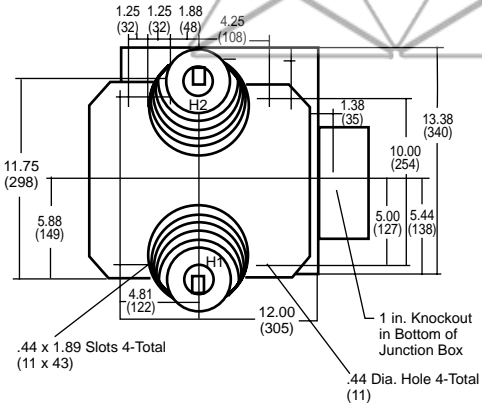
15-36KV OUTDOOR CURRENT TRANSFORMERSS

TYPE VOY-20 AND VOY-20G



200 kV BIL, Outdoor
60 Hertz

	Primary Voltage	Winding Ratio	Style Number^①
Type VOY-20			
200kV BIL	27600/27600Y	240:1	7881A82G03
	34500/34500Y	275:1	7881A82G04
Type VOY-20G			
150kV BIL	20125/34500GY	175/300:1	7521A55G01



IEEE Meter Accuracy

Height

Width

Depth

Weight

0.3 W, X, M, Y

19.00

148

0.3 X, M, Y

19.00

148

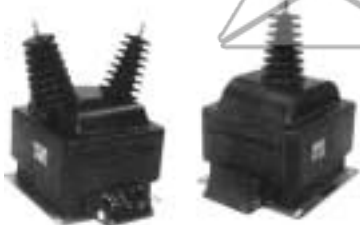
0.3 W, X, M, Y

19.00

142

15-36KV OUTDOOR CURRENT TRANSFORMERSS

TYPES VOHD-200 AND VOHD-200G



Thermal Rating:
1000VA at 30°C Ambient



VOHD-200
200 kV BIL



VOHD-200G
200 kV BIL

Primary Voltage	Ratio	Style Number ^①
20125/34500Y	175/300:1	7882A31G01
27600/27600Y	240/400:1	7882A31G02
34500/34500Y	300/500:1	7882A31G03

20125/34500GY	175/300:1	9629A95G01
---------------	-----------	------------

TYPES VOZZ-15 AND VOZZ-15G



Outdoor
150 kV BIL
60 Hertz

Thermal Rating:
3000VA at 30°C Ambient

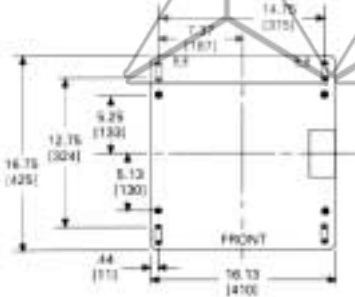
Available with double secondaries and tapped double secondaries.

	Primary Voltage	Ratio	Style Number ^①
	12000/20800Y	100:1	7525A93G01
VOZZ-15 150 kV BIL	14400/24940Y	120:1	7525A93G02
	18000/18000Y	150:1	7525A93G03
	24000/24000Y	200:1	7525A93G04
VOZZ-15G 200 kV BIL	12000/20800GY	100:1	7525A98G01
	14400/24940GY	120:1	7525A98G02

Single Bushing

^① Style includes clamp type primary terminals.
Stud type available for spade terminal.

PB 42-978



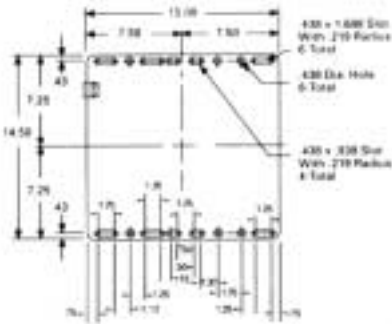
IEEE Meter Accuracy

Height Width Depth Weight

0.3 W, X, M, Y Full and Tap	22.6	18.9	20.0	255
0.3 W, X, M, Y Full and Tap	22.6	18.9	20.0	255
0.3 W, X, M, Y Full and Tap	22.6	18.9	20.0	255

0.3 W, X, M, Y Full and Tap	23.3	16.1	20.0	245
-----------------------------	------	------	------	-----

PB 42-978



IEEE Meter Accuracy

Height Width Depth Weight

0.3 W, X, M, Y, Z, ZZ	23	16.1	17.6	205
0.3 W, X, M, Y, Z, ZZ	23	16.1	17.6	205
0.3 W, X, M, Y, Z, ZZ	23	16.1	17.6	205
0.3 W, X, M, Y, Z, ZZ	23	16.1	17.6	205

0.3 W, X, M, Y, Z, ZZ	23	15.6	17.6	202
0.3 W, X, M, Y, Z, ZZ	23	15.6	17.6	202

15-36KV OUTDOOR CURRENT TRANSFORMERSS

TYPES VOZZ-20 AND VOZZ-20G



**Outdoor
200 kV BIL
60 Hertz**

Thermal Rating:
3000VA at 30°C Ambient



VOZZ-20
200 kV BIL

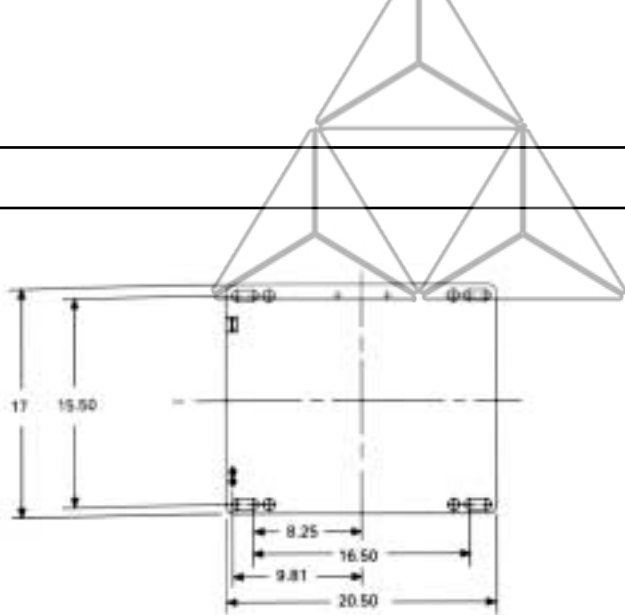
Primary Voltage	Ratio	Style Number ^①
27600/27600Y	240 & 240:1	9629A96G02
34500/34500Y	300 & 300:1	9629A96G01



VOZZ-20G
200 kV BIL

20125/34500GY	175/300:1 & 175/300:1	9629A97G01
20125/34500GY	175/300:1	7882A42G01

Tapped and Single Secondaries Available.



IEEE Meter Accuracy

Height

Width

Depth

Weight

0.3 W, X, M, Y,
Z, ZZ

26
26

18.1
18.1

24.3
24.3

380
380

0.3 W, X, M, Y
Z, ZZ

26.7

17

24.3

380

0.3 W, X, M, Y,
Z, ZZ

26.7

17

24.3

380

CIRCUIT BREAKER APPLICATION

Application of ABB CTs with Low Voltage Circuit Breakers		
Breaker Type	Breaker Frame Size	CT Type
CUTLER-HAMMER		
DS	800A 1600 & 3000A 800 & 2000A 3200A 4000A	IMC, SCN SCL, SCM DSM-16 DSM-32 DSM-40
SIEMENS		
RL-800 RLX-800 RL-1600 RL-2000 RL-3200 RL-4000	800A 800A 1600A 2000A 3200A 4000A	SCS-1R & 1M SCS-2R & 2M SCS-2R & 2M SCS-2R & 2M SCJ-1R & 1M SCJ-2R & 2M
Breaker Type	CT Type	
GENERAL ELECTRIC		
Molded Case Draw-out Molded Case Draw-out Molded Case Draw-out AKR AKR	IMC, SCN SCN SCL, SCM SCN, SCN-D (in bus comp't) SCN, SCN-D (in bus comp't)	

GUIDE

Application of ABB CTs with Medium Voltage Circuit Breakers		
Breaker Type	Breaker Current Rating	CT Type
ABB		
15 VHK	1200A 2000A	SAB-1, SAB-1D
	3000A	SAB-2, SAB-2D
5 VHK 250/350	26" Wide 36" Wide	AB-5 SAB-1
ADVAC		
5 15 27	1200, 2000, 3000 1200, 2000, 3000 1200, 2000, 3000	SAB-1
CUTLER-HAMMER		
50 DHP 75	1200A	RCT-5, RTL-5, SCN-D
50 DHP 250 50 DHP 350	1200A	RCT-5, RTL-5, SCN-D SCG-4, SCG-5
	2000A	RCT-5, RTL-5
	3000A	
75 DHP 500 150 DHP 500 150 DHP 750 150 DHP 1000	1200A 2000A	RCT-15, RTL-15, RTL-7 SCL-D, SCO
	3000A	RCT-7, RTL-7
All VCP Vacuum Breakers	All	SCV, SCV-D
SIEMENS		
MA 250 MA 350	1200A	SCG-5, SCN, SCN-D SCG-5
	2000A	SCG-5
FA 350	3000A	Consult Factory
FB 500 FC 500 FC 750 FC 1000	1200A 2000A	SCL-D, SCO
	3000A	Consult Factory
H, GM 5 & 15 kV Vacuum	All	SCR, SCR-D
GENERAL ELECTRIC		
Power/VAC Vacuum Breakers	All	SCV, SCV-D
SQUARE D		
FG-2 Vacuum GB	All	SCV, SCV-D, SCD-2
5 & 15 kV SF6 & Vacuum Outdoor	All	SCD-2

ACCURACY STANDARDS

Current Transformers Standard Burden Characteristics 60 Hz and 5 ampere secondary					
Burden Designation	Resistance Ohms	Inductance Millihenrys	Impedance Ohms	Volt-Amperes	Power Factor
Metering Burdens					
B0.1	0.09	0.116	0.1	2.5	0.9
B0.2	0.18	0.232	0.2	5.0	0.9
B0.5	0.45	0.580	0.5	12.5	0.9
B0.9	0.81	1.040	0.9	22.5	0.9
B1.8	1.62	2.080	1.8	45.0	0.9
Relaying Burdens					
B-1	0.5	2.3	1.0	25	0.5
B-2	1.0	4.6	2.0	50	0.5
B-4	2.0	9.2	4.0	100	0.5
B-8	4.0	18.5	8.0	200	0.5

CROSS REFERENCE of Most

**ABB vs. Instrument Transformers, Inc.
vs. General Electric**

	ABB Type	ITI Model	G.E. Type	
600V Current Transformers	IMC		JCH-0	
	SCE	170		
	SCN	100	JAH-0 (Thru 800A)	
	SCN-D	110		
	SCH-1	296		
	SCH-2	297		
	SCH-3	298		
	SCH-4	299		
	SCH-5	300		
	SCG-1	112		
	SCG-2	113		
	SCG-3	114		
	SCG-4	115		
	SCG-5	117		
	SCM	125		
	SCL	120		JAH-0 (above 800A.)
	SCL-D	130		
	SCO	135		
	SCJ-1	353		
	SCJ-2	354		
	SCS-1	351		
	SCS-2	352		
	SCP-1	144		
	SCP-2	142		
	SCP-3	140		
	RCI-1	137		
	RCI-2	139		
	CLC			JAD-0
	CLE			JCD-0
	RLC			JCP-0
	SCD-1	145		
	SCD-2	143		
	SCB	306		
RCB	307			
SCA	308			
RCA	309			

Voltage Transformers		Standard Burdens	
Burden Designation	Secondary Volt-Amperes	Burden Power Factor	
W	12.5	0.10	
X	25	0.70	
M	35	0.20	
Y	75	0.85	
Z	200	0.85	
ZZ	400	0.85	

Commonly Used Types

	ABB Type	ITI Model	G.E. Type
600V Current Transformers	SCD-3	141	
	DSM-16	350	
	DSM-32	360	
	DSM-40	365	
	SCV	780	JAG-0
	SCV-D	785	
	RCT-5	720	
	RTL-5	722	
	RCT-15	730	
	RTL-15	732	
	SAB-1	622	
	SAB-1D	624	
	SAB-2	623	
	SAB-2D	625	
	SCR	680	
	SCR-D	685	
	AB-5	675	
	PPD	460	
PPM	450	JVA-0	
PPX	450		
5-15 kV Current Transformers	KIR-60/75/11		JKM-3, 4, 5
5-34.5 kV Current Transformers	VIY-60	PT3	JVM-3
	VIZ-75/11	PT4, 5	JVM-4, 5
	VIZ-12G	PT6	
	VIZ-12/15	PT6, 7	
	VIZ-20 VIZZ-15		

STANDARD CURRENT TRANSFORMER MULTI-RATIO TAPS

Current Ratings (A)	Secondary Taps	Current Ratings (A)	Secondary Taps
600:5		3000:5	
50:5	X2-X3	300:5	X3-X4
100:5	X1-X2	500:5	X4-X5
150:5	X1-X3	800:5	X3-X5
200:5	X4-X5	1000:5	X1-X2
250:5	X3-X4	1200:5	X2-X3
300:5	X2-X4	1500:5	X2-X4
400:5	X1-X4	2000:5	X2-X5
450:5	X3-X5	2200:5	X1-X3
500:5	X2-X5	2500:5	X1-X4
600:5	X1-X5	3000:5	X1-X5
1200:5		4000:5	
100:5	X2-X3	500:5	X1-X2
200:5	X1-X2	1000:5	X3-X4
300:5	X1-X3	1500:5	X2-X3
400:5	X4-X5	2000:5	X1-X3
500:5	X3-X4	2500:5	X2-X4
600:5	X2-X4	3000:5	X1-X4
800:5	X1-X4	3500:5	X2-X5
900:5	X3-X5	4000:5	X1-X5
1000:5	X2-X5		
1200:5	X1-X5		
2000:5		5000:5	
300:5	X3-X4	500:5	X2-X3
400:5	X1-X2	1000:5	X4-X5
500:5	X4-X5	1500:5	X1-X2
800:5	X2-X3	2000:5	X3-X4
1100:5	X2-X4	2500:5	X2-X4
1200:5	X1-X3	3000:5	X3-X5
1500:5	X1-X4	3500:5	X2-X5
1600:5	X2-X5	4000:5	X1-X4
2000:5	X1-X5	5000:5	X1-X5

Ref: IEEE Std. C57.13-1993, Table 8



Instrument Transformers
Manufactured in:
Pinetop, NC, USA 27864

For Marketing Support and Quotes
1-800-338-1585
1-843-413-4700
2300 Mechanicsville Road
P.O. Box 100524
Florence, SC 29501-0524