



ET-16 INDICATING LAMPS

GEF-4326L
Copyright © 2007 GE Multilin

ORDERING INSTRUCTIONS

1. Specify the quantity, catalog number, description, and this bulletin number. The letters **B**, **C**, and **D** in the table headers refer to the labels in Figure 1.
2. For prices, refer to the nearest GE Multilin office.

Table 1: SINGLE BRILLIANCE

RATED VOLTAGE	RESISTOR NUMBER (D)	RESISTANCE (OHMS)	INCANDESCENT BULB # (C)	LED (C) COLOR AND NUMBER	COLOR CAP (B)
24 V DC	165A7844P1	10	1819	LED 286A5442P * **	SEE TABLE 3
48 V DC	165A7844P2	200	1835	R RED	
125 V DC	165A7844P3	2000	1835	G GREEN	
250 V DC	165A7844P4	5100	1835	A AMBER	
120 V AC	165A7844P5	1900	1835	Y YELLOW	
70 V AC	165A7844P7	750	1835	B BLUE	
130 V AC	165A7844P13	2300	1835	52 48 V DC	
240 V AC	165A7844P6	4800	1835	53 240 V AC or 250 V DC	
				73 125 V DC, 70 V AC, 120 V AC, or 130 V AC	
				92 24 V DC	

The receptacle part number is 116B6709G1 and is indicated by **E** in figure 1.

Table 2: DIM BRIGHT

RATED VOLTAGE	RESISTOR NUMBER (D)	RESISTANCE (OHMS)		INCANDESCENT BULB # (C)	LED (C)	COLOR CAP (B)
		TOTAL	TAPPED			
48 V DC	165A9217P1	450	50	1835	---	SEE TABLE 3
125 V DC	165A9217P2	2550	1700	1835	---	
250 V DC	165A9217P3	6000	4400	1835	---	
120 V AC	165A9217P4	2450	1600	1835	---	
240 V AC	165A9217P5	5700	4200	1835	---	

The receptacle part number is 116B6709G3 and is indicated by **E** in figure 1.

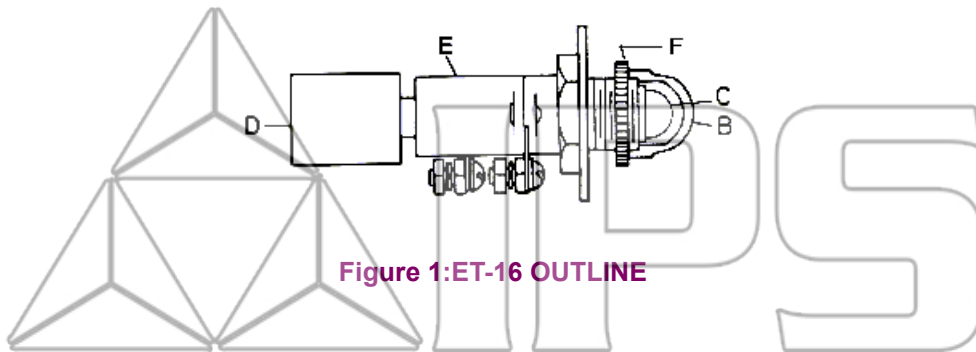


Figure 1: ET-16 OUTLINE

The nut part number is 165A7835P1 and is indicated by F in figure 1.

Table 3: COLOR CAPS

COLOR	OPACITY	CATALOG NUMBER (B)	PREVIOUS CATALOG NUMBER †
RED	TRANSPARENT	286A5443PR4	208A3768P9
GREEN		286A5443PG4	208A3768P8
AMBER		286A5443PA4	208A3768P7
SMOKE		286A5443PS4	---
CLEAR		286A5443PC4	208A3768P1
BLUE		286A5443PB4	208A3768P6
RED	TRANSLUCENT	286A5443PR5	208A3768P2
GREEN		286A5443PG5	208A3768P3
YELLOW		286A5443PY5	208A3768P4
WHITE		286A5443PW5	---

store.ips.us

† The previous catalog number is shown for informational purposes only.

GE Multilin
 215 Anderson Avenue
 Markham, Ontario
 Canada L6E 1B3
 Tel: (905) 294-6222
 Fax: (905) 201-2098
 Internet: www.GEmultilin.com