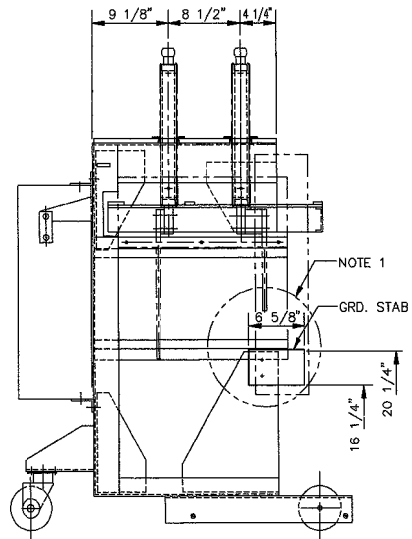
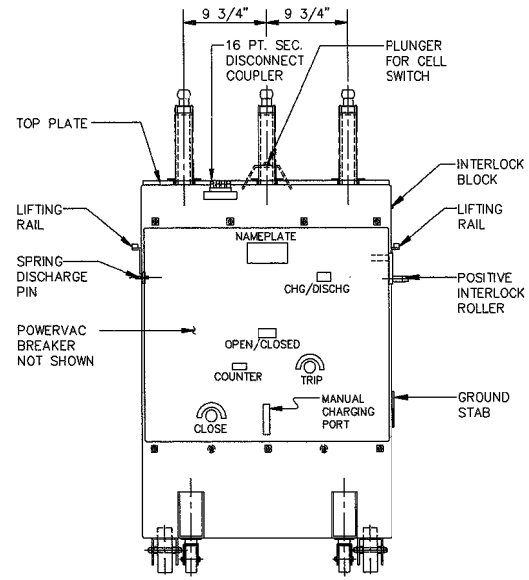
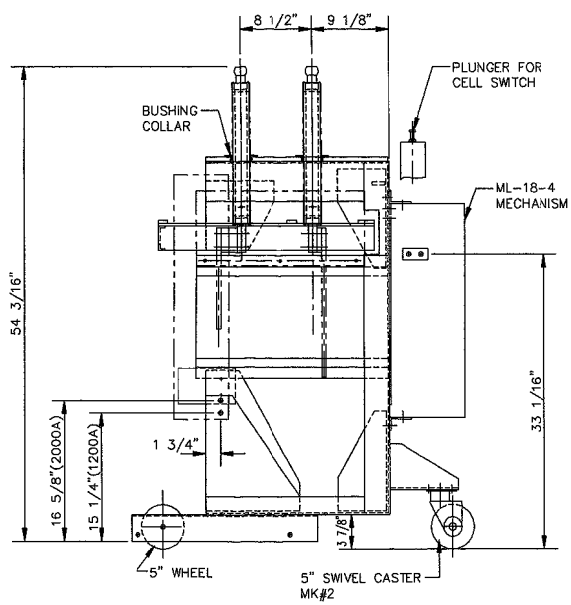
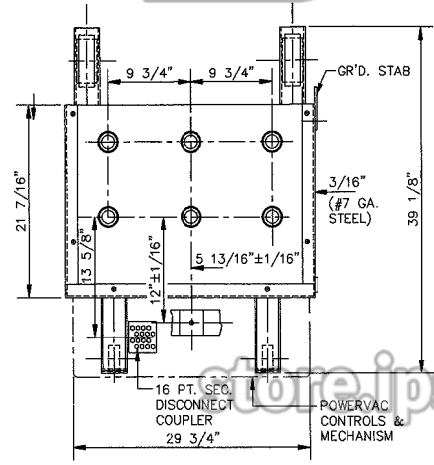


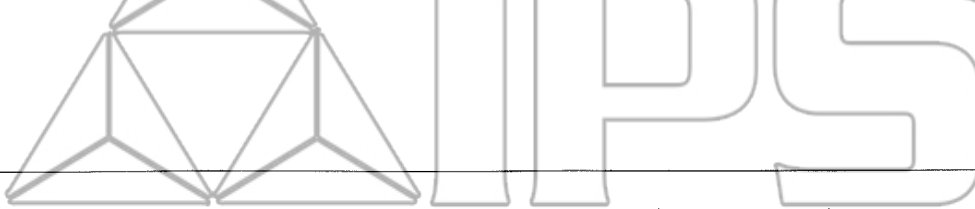
REVISIONS			
REV	DESCRIPTION	DATE	APPROVED

NOTES:

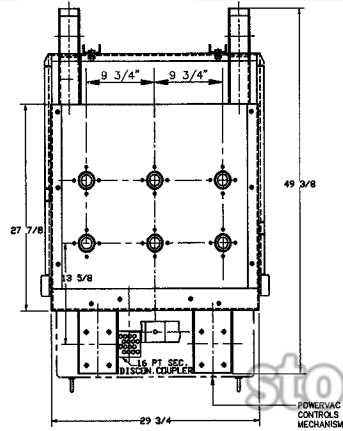
- 1). GROUND CONTACT AREA.
(VERTICALLY SLIDING CONNECTION)
- 2). TOTAL WEIGHT = 850 LBS. 1200A
TOTAL WEIGHT = 900 LBS. 2000A



UNLESS OTHERWISE SPECIFIED	SIGNATURES	DATE	GE ED&C <small>BURLINGTON, VA</small>
<small>DIMENSIONS ARE IN INCHES TOLERANCES ON: 2 PL. DECIMALS ± .020 3 PL. DECIMALS ± .010 ANGLES ± 1' FRACTIONS ±</small>	<small>DRAWN: D.L.W.</small> <small>CHECKED: M.J.H.</small> <small>ENGRS:</small> <small>ISSUED:</small> <small>S.E.</small>	<small>03/23/95</small> <small>03/23/95</small>	
<small>DRAWING FILE</small> <small>REFERENCE FILE</small>	<small>SIZE</small> D	<small>FIRST MADE FOR M36</small> <small>M36HN</small> <small>DWG NO</small> 0144D1375	<small>CONT ON SH 2</small> <small>SH NO 1</small>

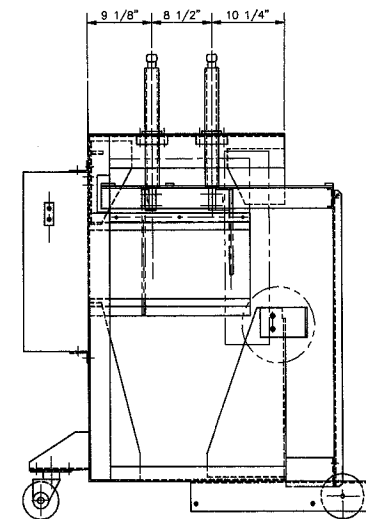
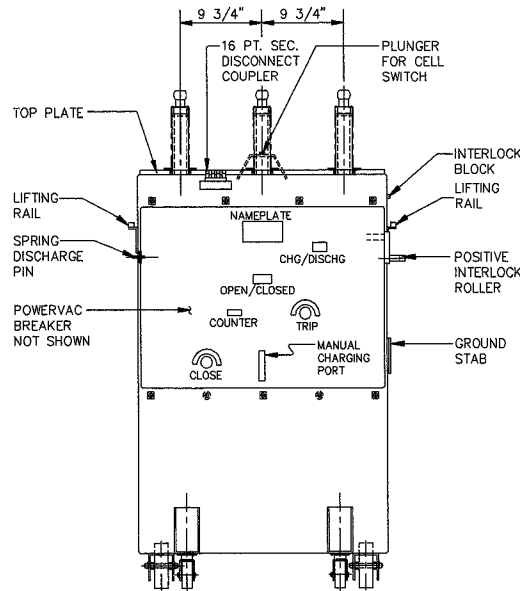
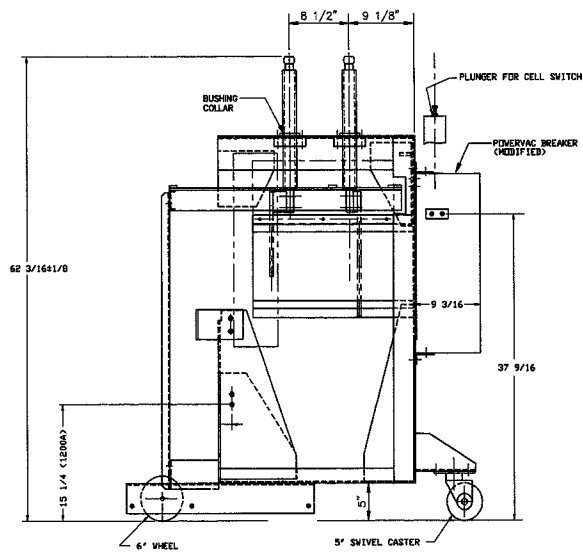


REVISIONS			
REV	DESCRIPTION	DATE	APPROVED

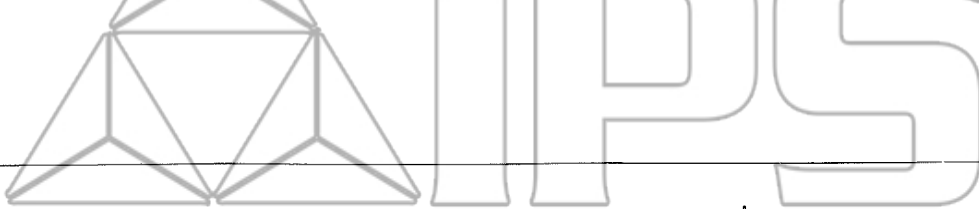


NOTES:

- 1- GROUND CONTACT AREA. (VERTICALLY SLIDING CONNECTION)
- 2- TOTAL WEIGHT=990LBS. 1200A
TOTAL WEIGHT=950LBS. 2000A



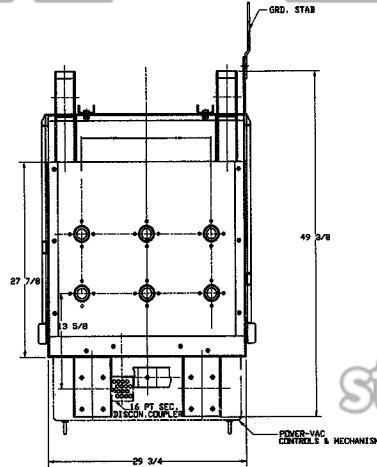
UNLESS OTHERWISE SPECIFIED: DIMENSIONS ARE IN INCHES TOLERANCES OR: 2 PL. DECIMALS ± .020 3 PL. DECIMALS ± .010 ANGLES ± 1 FRACTIONS ±	SIGNATURES	DATE	GE ED&C <small>BURLINGTON, IA</small> TITLE: POWERVAC/VL 13.8-750/13.8-1000 OUTLINE DRAWING
	DRAWING FILE REFERENCE FILE	SIZE D	



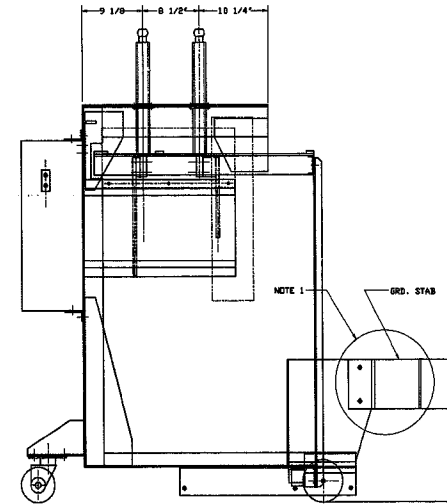
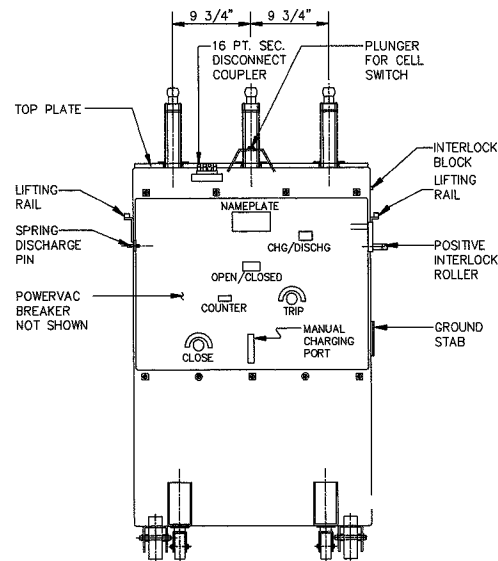
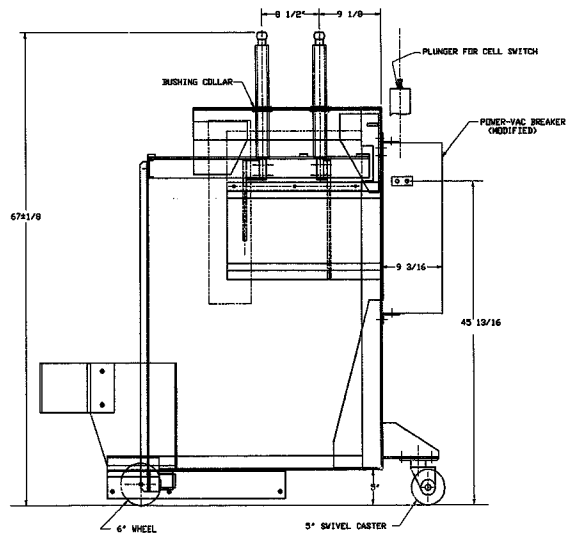
REVISIONS			
REV	DESCRIPTION	DATE	APPROVED

NOTES:

1- GROUND CONTACT AREA.
(VERTICALLY SLIDING CONNECTION)
TOTAL WEIGHT 950 LBS 1200A
TOTAL WEIGHT 1000 LBS 2000A



store.ips.us



UNLESS OTHERWISE SPECIFIED	SIGNATURES	DATE	 GE ED&C BURLINGTON, IA
DRAWINGS ARE IN INCHES	DRAWN: D.L.K.	03/23/25	
TOLERANCES ON:	CHECKED: M.H.H.	03/23/25	
2 PL. DECIMALS & .020	INSPD:		
3 PL. DECIMALS & .010	ISSUED:		
ANGLES & 1	U.E.		TITLE: POWERVAC/VL 13.8-1000 OUTLINE DRAWING FIRST MADE FOR M-366H
FRACCTIONS &	D.A.		SIZE: D DWG NO: 0144D1375 CONT ON SH 4 SH NO 3
	REFERENCE FILE		725