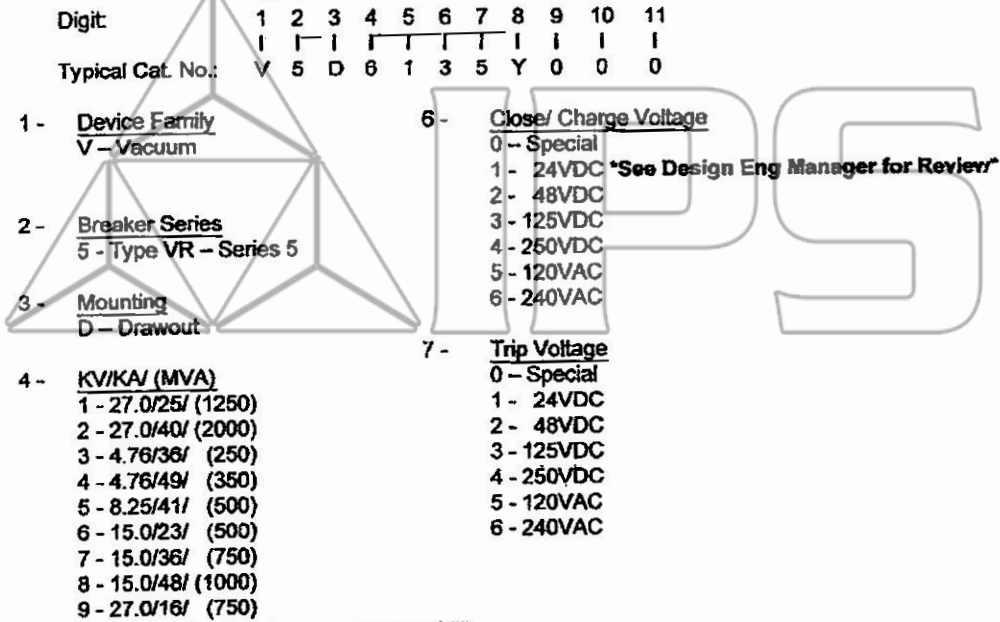


BOOK: METAL-CLAD SWITCHGEAR SERIES 5 DESIGN INDEX

**3.1. Breaker Catalog Number Structure**



NOTE: KA =Max Sym Interrupting Capability

- 5 - Continuous Current
- 1 - 1200A
- 2 - 2000A
- 3 - 3000A 5-15kV only
- 4 - 2750A 27kV only

store.ips.us