



# Power Break® II Circuit Breaker Accessories

## Remote Close

### Introduction

The Remote Close accessory, shown in Figure 1, can be installed in 800–2000 ampere frame Power Break® II circuit breakers. It provides a means of remotely closing the circuit breaker after the springs have been charged. Table 1 lists the catalog numbers and corresponding electrical data for the available models.

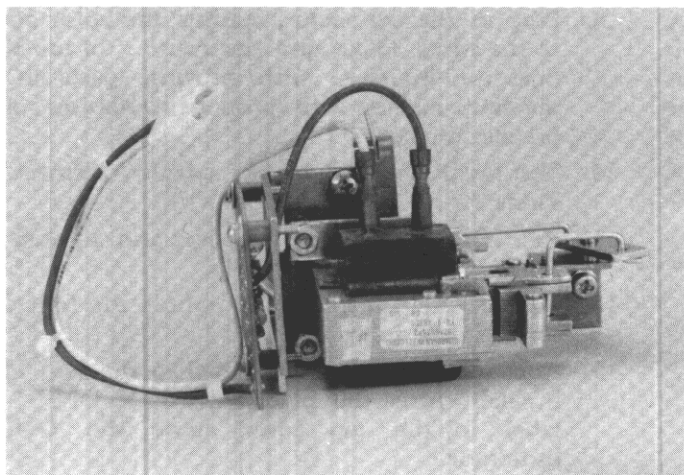


Figure 1. Remote Close accessory.

### Remote Operation

The circuit breaker can be closed remotely, provided that the springs are charged, by applying voltage to terminals 16 and 34 on the terminal block on the right side of the breaker with a push button or similar device.

### Installation

**WARNING:** Before installing any accessories, turn the breaker off, disconnect it from all voltage sources, and discharge the charging springs.

**AVERTISSEMENT:** Avant d'installer tout accessoire, mettre le disjoncteur en position OFF, le déconnecter de toute tension d'alimentation, et décharger les ressorts d'armement.

Use the following procedure to install the Remote Close accessory into the circuit breaker.

1. Verify that the rating on the Remote Close identification plate matches the electrical data required for the application, as listed in Table 1.
2. Turn the breaker off and discharge the closing spring by depressing the OFF and ON buttons in the sequence OFF–ON–OFF. Verify that the breaker OFF–ON indicator shows OFF on a green background and that the charge indicator shows DISCHARGED on a white background.
3. Loosen the four Philips-head screws on the trim-plate assembly and remove the trim plate.
4. Loosen the four screws at the corner of the breaker cover. Remove the cover from the breaker face, as illustrated in Figure 2.
5. Remove the screw holding the left secondary terminal block to the midcover and lift the terminal block up and away from its mounting ridge on the midcover.

Catalog No.	Voltage Rating	Inrush Current	Close Time, sec
SPRCS024	24 Vdc	14.1 A	0.05 (nom)
SPRCS048	48 Vdc	6.7 A	0.05 (nom)
SPRCS072	72 Vdc	8.1 A	0.05 (nom)
SPRCS120	120 Vac	13.6 A	0.05 (nom)
SPRCS125	125 Vdc	3.4 A	0.05 (nom)
SPRCS240	240 Vac	5.3 A	0.05 (nom)

Table 1. Electrical data for the Remote Close accessory.

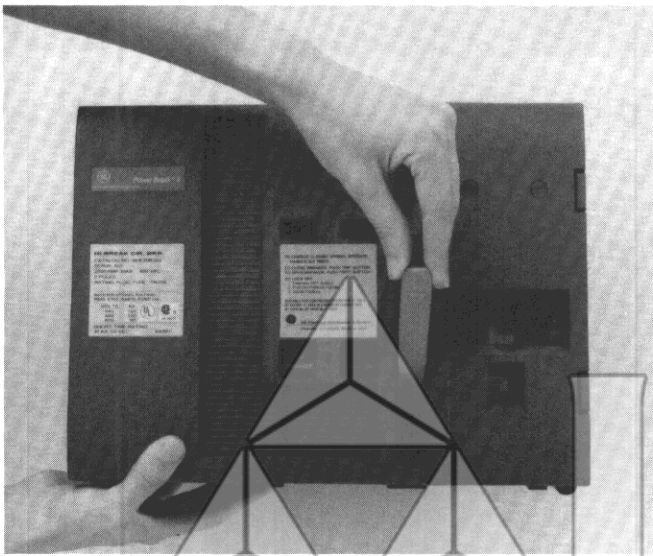


Figure 2. Removal of breaker top cover.

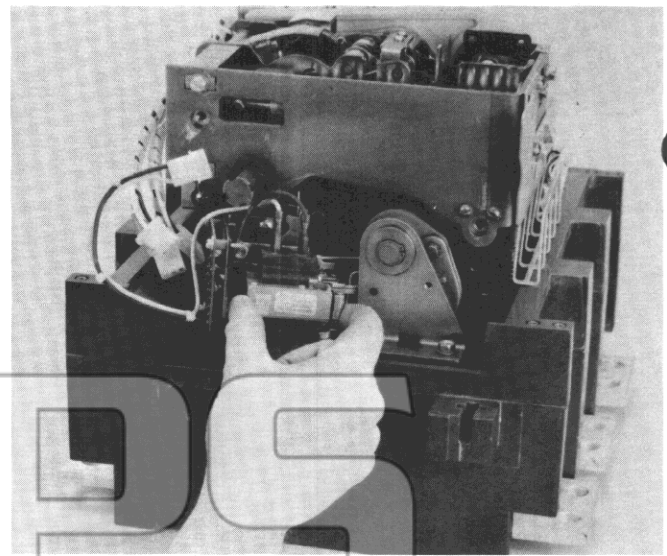


Figure 3. Installation of Remote Close under the breaker spring frame.

6. While holding the charge interlock rod of the breaker down against the midcover, move the Remote Close under the spring frame until it rests against the side frame of the breaker mechanism, as illustrated in Figure 3. Slide the Remote Close under the breaker's torque tube until the Remote Close engages the closing lever projecting through the breaker side frame.
7. Align the two captive Philips-head mounting screws with the threaded holes in the mechanism side frame. Tighten to 32 in-lb.
8. Reinstall the secondary terminal block onto the breaker midcover terminal block mounting ridge and fasten with the screw previously removed.

9. Plug in the connector, mating the color coding of the wires. Make sure the routing of the wires does not interfere with moving parts in the mechanism nor with proper installation of the breaker top cover.
10. Test the Remote Close electrically according to Table 1.
11. Reinstall the breaker top cover and tighten the four #10-32 screws to 32 in-lb.
12. Replace the trim plate and tighten the four #8-32 screws to 20 in-lb.
13. Affix the accessory rating label to the side of the breaker. Affix the **ELECTRICALLY OPERATED** label to the top cover above the ON-OFF indicator.

## Trouble-Shooting

The following guide is provided for trouble-shooting and isolating common problems. It does not cover every possible situation. Contact the ED&C Customer Support Center at 800-843-3742 if any problem is not resolved by these procedures.

Symptom	Possible Cause	Corrective Action
Breaker does not close.	Breaker is already closed.	Remove close command and reapply after breaker has been subsequently opened and charged. The Remote Close can not be wired for automatic operation.
	Power is not available to the Remote Close.	Check that the Remote Close is wired correctly, as shown in Figure 4. Check that all connectors are properly seated. Check for blown fuses. Check that the voltage applied to the Remote Close is within the specified range.

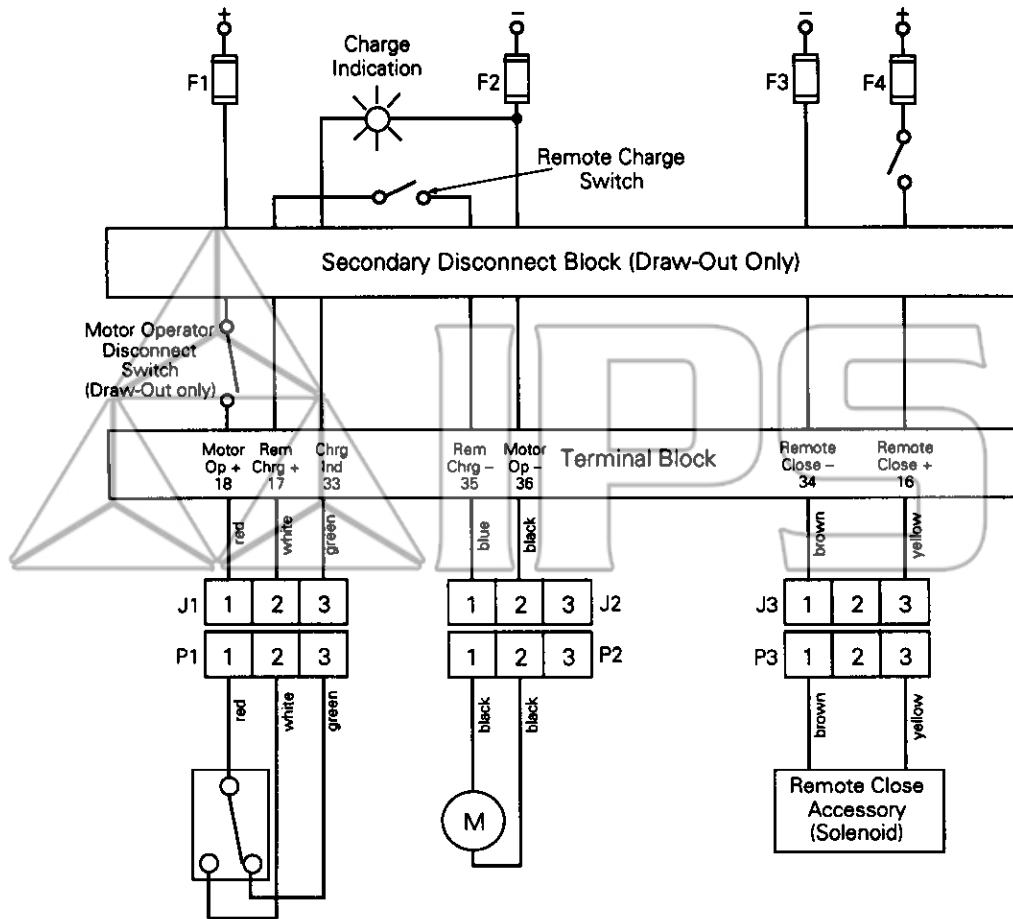


Figure 4. Wiring diagram for Remote Close accessory.

store.ips.us



[store.ips.us](http://store.ips.us)

These instructions do not cover all details or variations in equipment nor do they provide for every possible contingency that may be met in connection with installation, operation, or maintenance. Should further information be desired or should particular problems arise that are not covered sufficiently for the purchaser's purposes, the matter should be referred to the GE Company.



**GE Electrical Distribution & Control**

General Electric Company  
41 Woodford Ave., Plainville, CT 06062

GEH-6283 0195

© 1995 General Electric Company