



Power Break® II Circuit Breaker Accessories

Door Interlock

Introduction

The Door Interlock, shown in Figure 1, can be installed on 800–4000 ampere frame Power Break® II circuit breakers. Its function is to prevent the casual opening of the enclosure door, particularly while the breaker is ON. The catalog number of the Door Interlock is SPDIL.

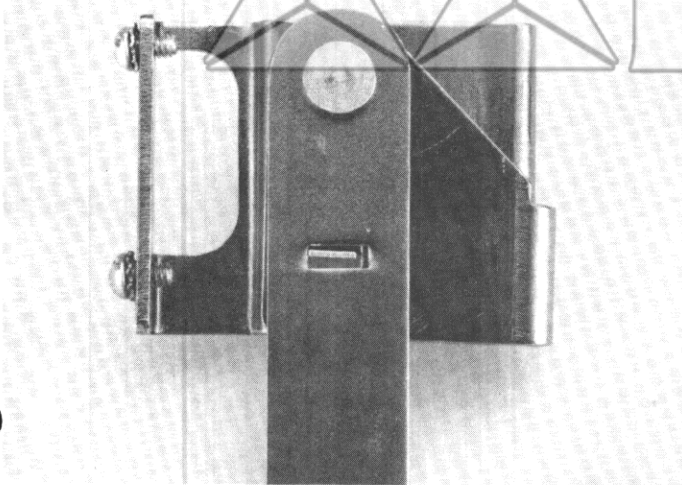


Figure 1. Door Interlock accessory.

Operation

The Door Interlock prevents the opening of the enclosure door unless the locking lever is disengaged. (See Figure 2.) The lever can be disengaged easily with the breaker OFF or with somewhat greater difficulty with the breaker ON, as described below.

Opening Door with Breaker Off

To open the enclosure door when the breaker is OFF, pull up on the padlock tab and slide the Door Interlock lever counter-clockwise until it no longer obstructs the door, as illustrated in Figure 3. When the door is reclosed, simply slide the lever back into the locking position.

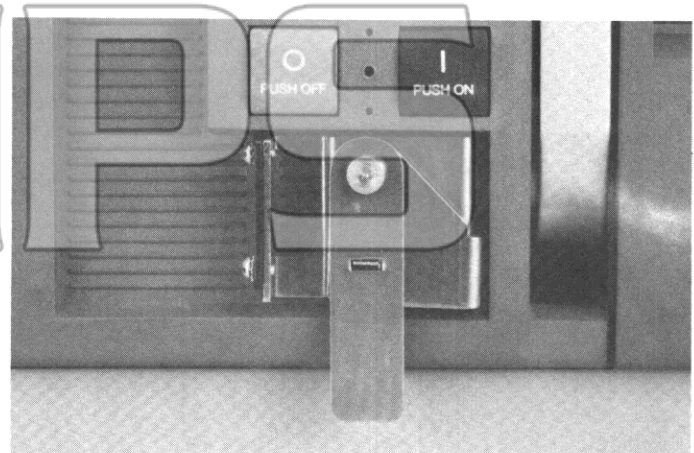


Figure 2. Door Interlock in place to prevent opening the enclosure door.

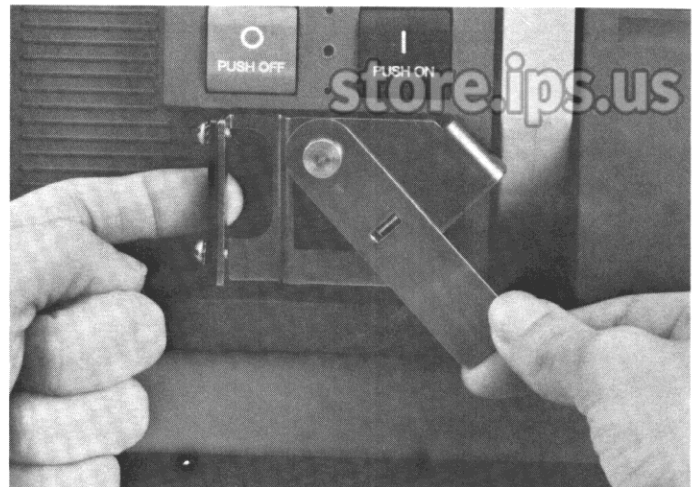


Figure 3. Sliding the locking lever out of the way with the breaker off.

Opening Door with Breaker On

The Door Interlock can be defeated, to allow opening the enclosure door with the breaker ON, even though the padlock tab cannot be lifted. Depress the interlock spring with a screwdriver in the slot on the top of the locking lever and push the lever counter-clockwise to disengage it from the spring, as shown in Figure 4. Remove the screwdriver, then continue rotating the locking lever until it clears the door.

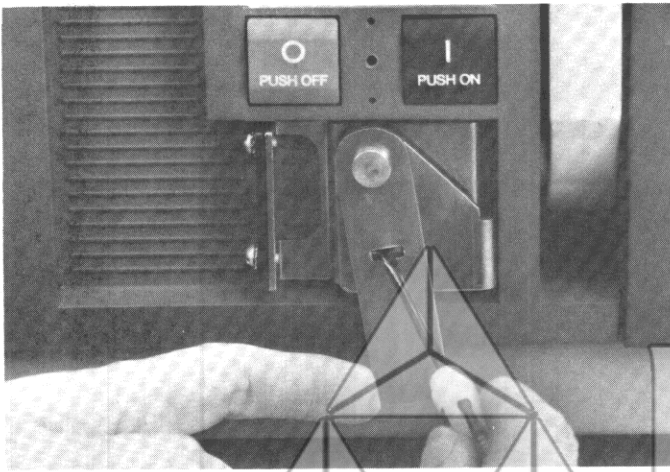


Figure 4. Releasing the locking lever from the interlock spring with the breaker on.

Installation

The Door Interlock installs in the cavity on the front of the breaker directly below the PUSH ON and PUSH OFF buttons. Attach the Door Interlock to the padlock tab with the two screws and lock washers provided, as shown in Figure 5.

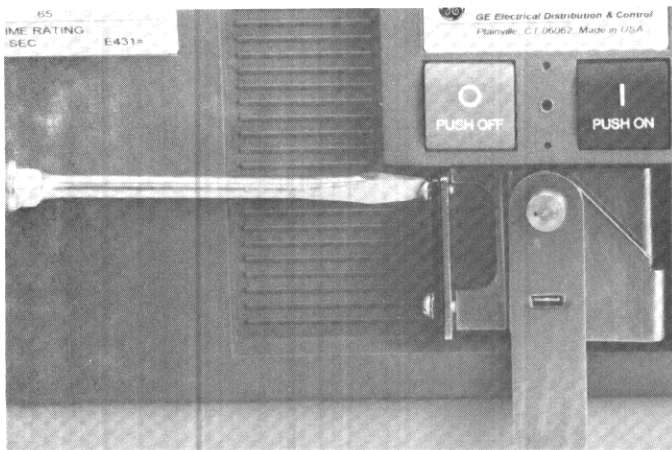


Figure 5. Installing the Door Interlock on the padlock tab.

If the breaker is mounted protruding from the enclosure, rather than flush, an additional spacer should be attached to the enclosure door to prevent partial opening of the door. As illustrated in Figure 6, the spacer is attached to the door directly underneath the Door Interlock lever. Drill two 0.203 ($13/64$)-inch holes in the enclosure door, as illustrated in Figure 7, to match the stud locations in the spacer. Attach the spacer with the provided hardware.

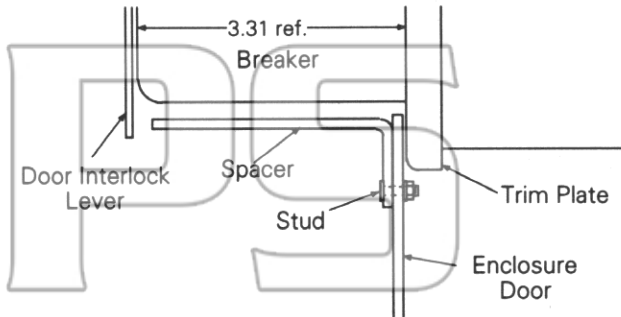


Figure 6. Right-side view of breaker and enclosure door, showing location of spacer.

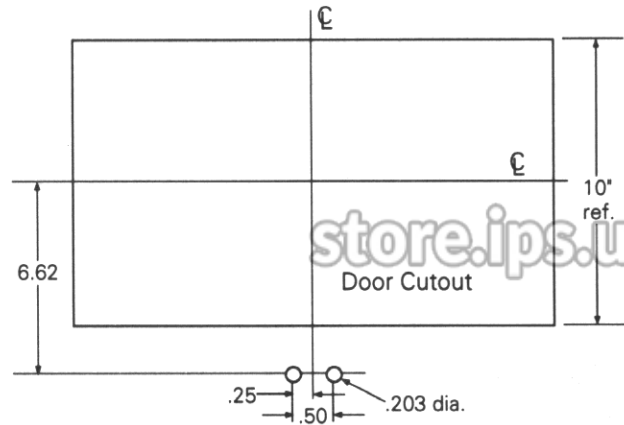


Figure 7. Spacer mounting holes on enclosure door under cutout for breaker.

These instructions do not cover all details or variations in equipment nor do they provide for every possible contingency that may be met in connection with installation, operation, or maintenance. Should further information be desired or should particular problems arise that are not covered sufficiently for the purchaser's purposes, the matter should be referred to the GE Company.



GE Electrical Distribution & Control

General Electric Company
41 Woodford Ave., Plainville, CT 06062

GEH-6276A 0296

© 1996 General Electric Company