



EntelliGuard® G Circuit Breaker Accessories Arc Chute Assembly

Arc Chute:


Arc chutes are supplied with the EntelliGuard breaker. In cases where it needs the field replacement, they are supplied as spares.




Figure A

Figure B

Envelope Size	Catalog #
Envelope 1	G20HCHT
Envelope 2	G40MCHT
Envelope 3	G64LCHT
Envelope 3-200kA	G64WCHT

 **WARNING:** Before installing any accessories, turn the breaker OFF, disconnect it from all voltage sources, and discharge the closing springs.

 **AVERTISSEMENT:** Avant d'installer tout accessoire, mettre le disjoncteur en position OFF, le déconnecter de toute tension d'alimentation, et décharger les ressorts d'armement

- Loosen the M6 mounting screws of arc chamber to the housings as shown in fig A
- Gently lift the Arc chamber assembly as shown in fig B.
- Inspect the arc plates and sides of the moldings for signs of wear or damage and replace if necessary.
- Install the arc chamber assembly by tightening the mounting screws to torque of 8-10 Nm (5.9 – 7.4 ft-lbs)

Arc chamber assembly removal & inspection:

- Turn the breaker off and discharge the closing springs by depressing the OFF and ON buttons in the sequence OFF-ON-OFF. Verify that the breaker OFF-ON indicator shows OFF on a green background and that the charge indicator shows DISCHARGE on a white background. If installing in a draw-out type breaker remove breaker from adaptor (cassette) before continuing.
- The breaker should be safely isolated and fully removed from the cassette (for drawout breaker)

Arc chamber assembly removal & inspection for Fr-3 200kA:

- Follow Step 1 and 2
- Slide out ITEM No 1 and loosen six numbers of M6 mounting screws of arc chamber to the housing as shown in figure C
- Gently lift the Arc chamber assembly as shown in fig B.

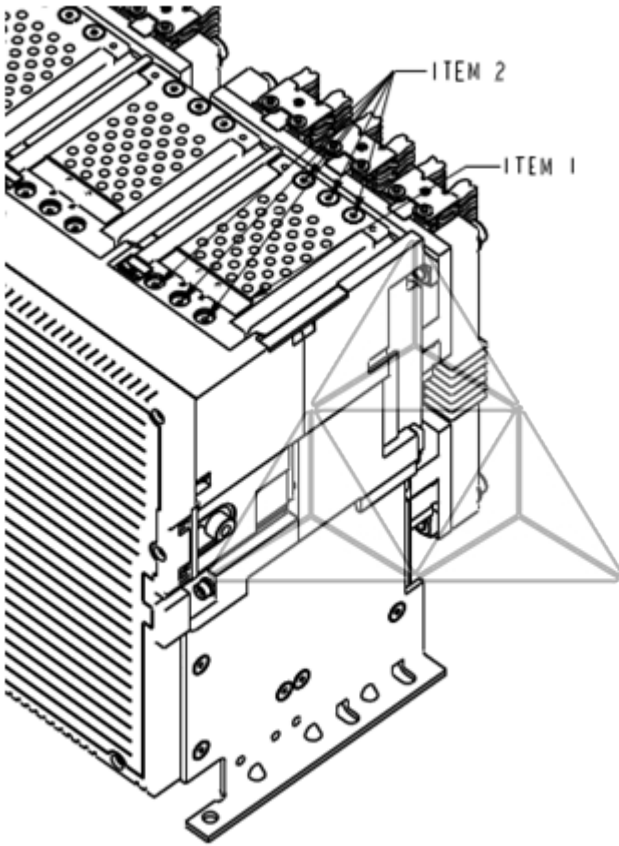


Figure C

- 4 Inspect the arc plates and sides of the moldings for signs of wear or damage and replace if necessary.
- 5 Install the arc chamber assembly by tightening the mounting screws to torque of 8-10 Nm (5.9 – 7.4 ft-lbs)
- 6 Slide in the slider back to original position

IPS

store.ips.us



store.ips.us

These instructions do not purport to cover all details or variations in equipment nor, to provide contingency to be met in connection with installation, operation, or maintenance. Should further information be desired, or should particular problems arise which are not covered sufficiently for the purchaser's purposes, the matter should be referred to GE.

GE
41 Woodford Ave, Plainville, CT 06062
www.geelectrical.com

© 2009 General Electric Company



imagination at work

DEH-41389 R2 (11/13)