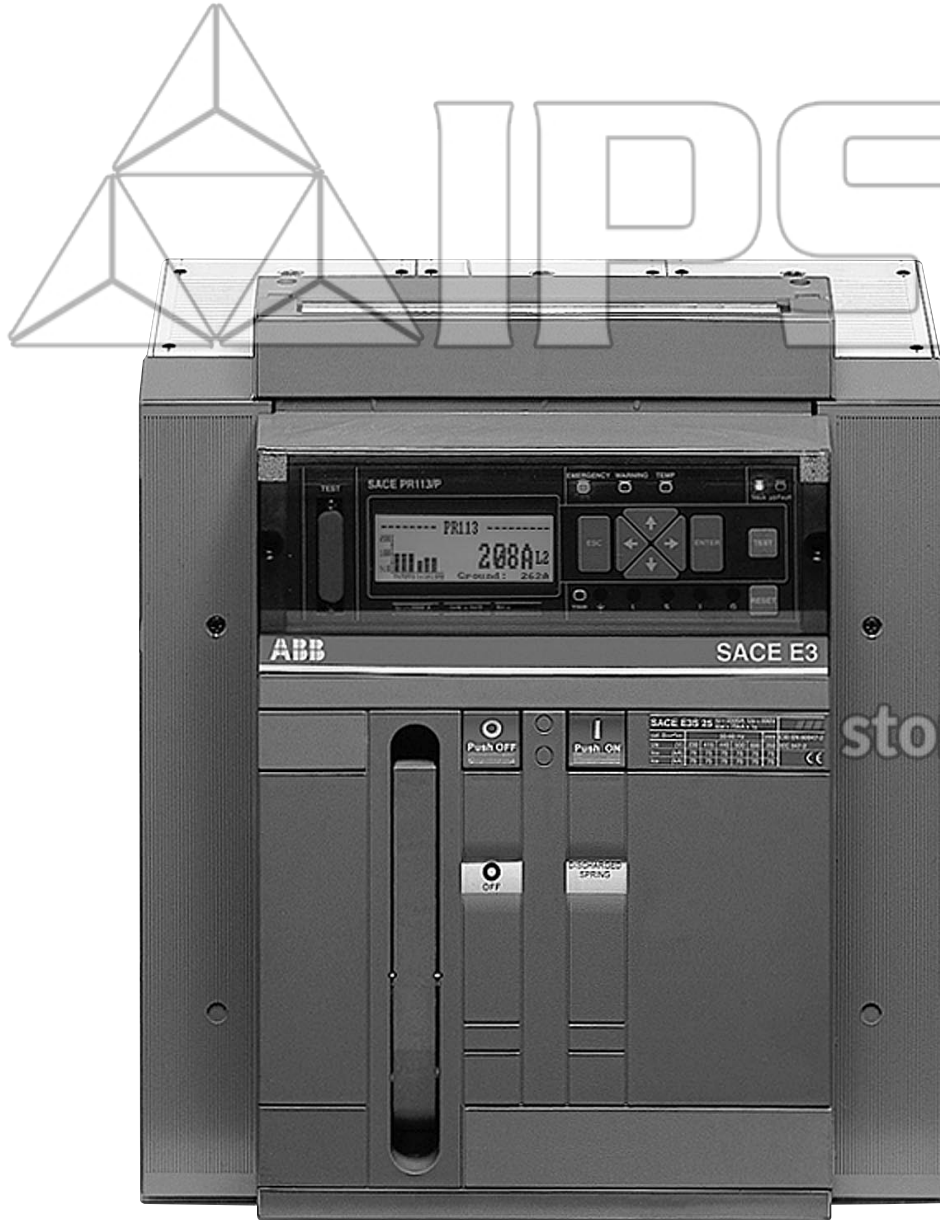


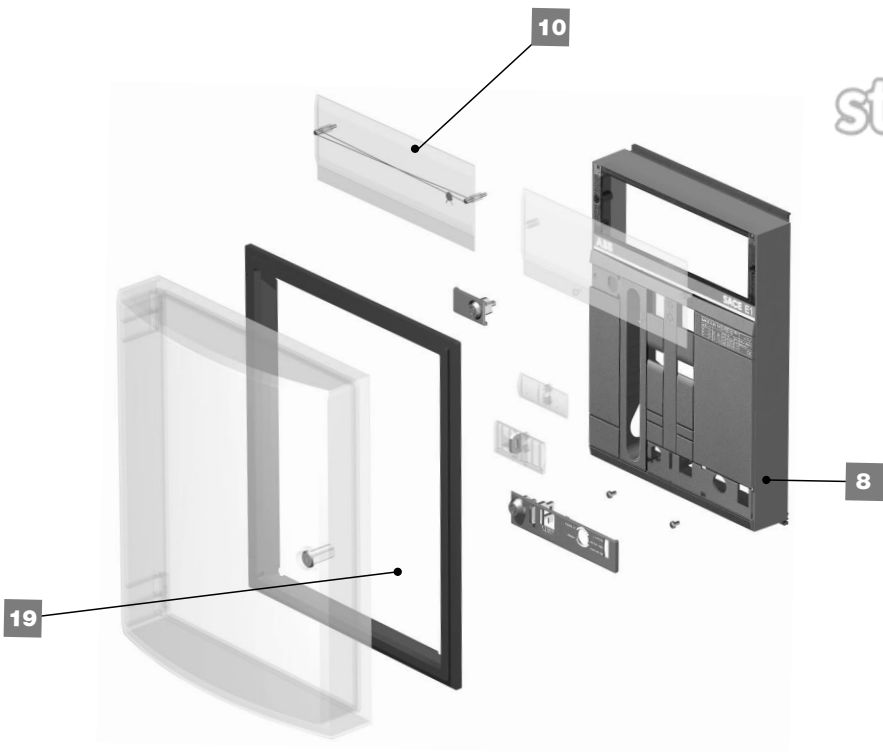
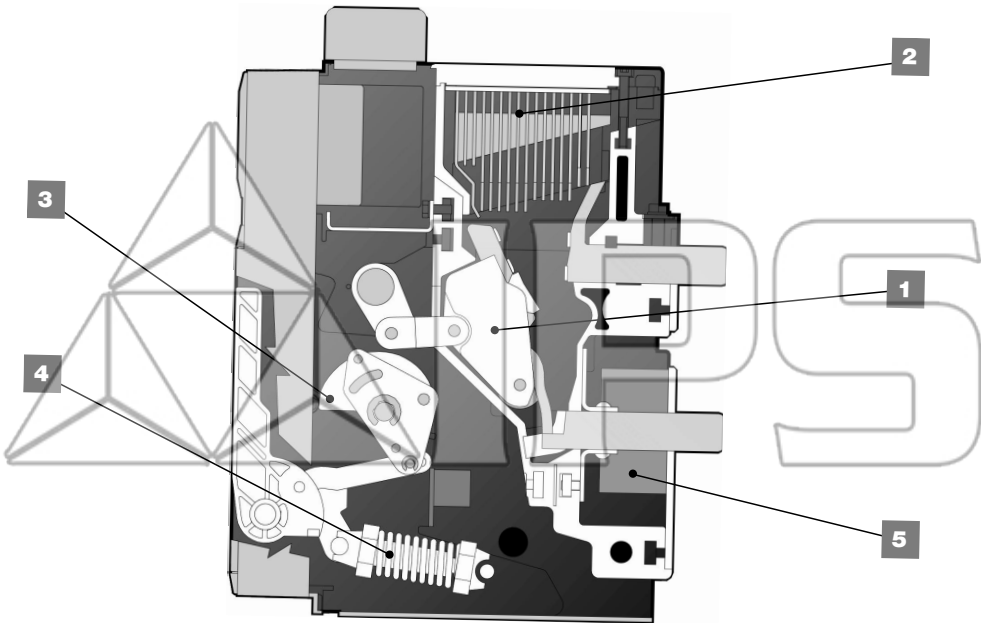


Low voltage air circuit-breakers EMAX series

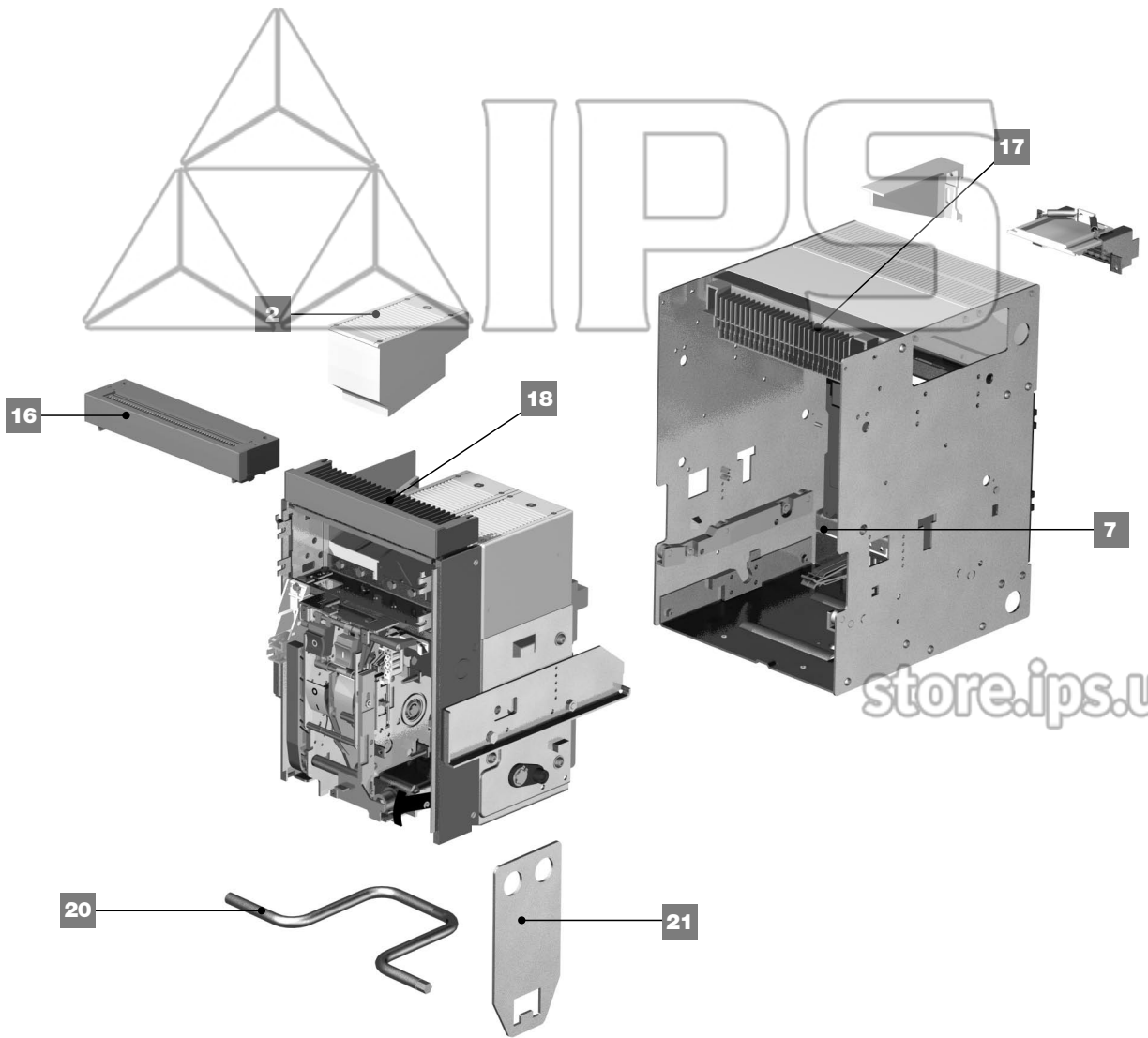


Low voltage air circuit-breakers

EMAX



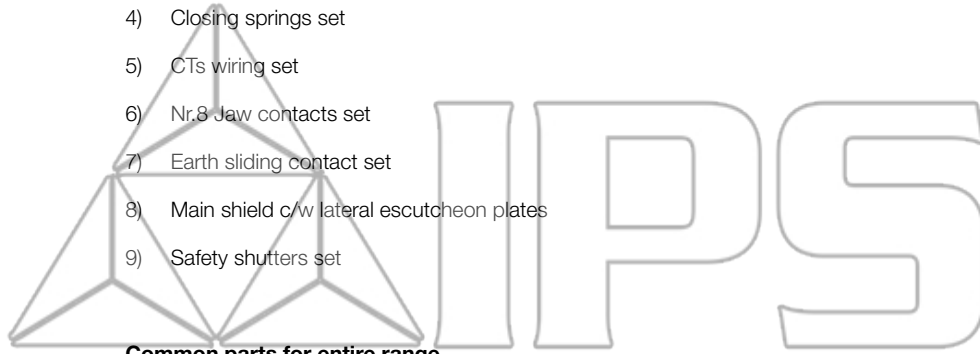
2
Emax



Low voltage air circuit-breakers

Caption

- 1) Single complete pole
- 2) Single arc chamber
- 3) Operating mechanism
- 4) Closing springs set
- 5) CTs wiring set
- 6) Nr.8 Jaw contacts set
- 7) Earth sliding contact set
- 8) Main shield c/w lateral escutcheon plates
- 9) Safety shutters set



Common parts for entire range

- 10) Transparent protection for electronic release
- 11) Solenoid for PR111-112 electronic relais
- 12) Cover for test socket on electronic relais
- 13) PR112/B_Battery for electronic release
- 14) 2 Kg bid of "5RX Moly" grease specific for operating mechanism
- 15) Tool case complete of taylor-made spanners and templates
- 16) Auxiliary board for fixed breaker
- 17) Sliding contacts for fixed part
- 18) Sliding contacts for moving part
- 19) Dustproof protection for panel's door
- 20) Racking out lever
- 21) Lifting plates
- 22) Front cover for breaker fitted with key lock
- 23) Lifting trolley till 300Kg
- 24) Lifting trolley till 500Kg
- 25) Slideproof plate

store.ips.us

EMAX E1

Spare part description	Type	1SDA code	Q.ty	Note
1 Single complete pole	complete range	045691R1	3 or 4	A
2 Single arc chamber	complete range	045697R1	3 or 4	
3 Operating mechanism	3p 4p	053988R1 053989R1	1 1	A A
4 Closing springs set	3p 4p	053990R1 053991R1	1 1	A A
5 CTs wiring set	3p 4p	045714R1 045716R1	1 1	
6 Nr.8 Jaw contacts set	complete range	047823R1	1	
7 Earth sliding contact set	complete range	045722R1	1	
8 Main shield c/w lateral escutcheon plates	3p 4p	047828R1 047829R1	1 1	
9 Safety shutters set	3p 4p	038261R1 038265R1	1 1	

EMAX E2

Spare part description	Type	1SDA code	Q.ty	Note
1 Single complete pole	E2BN E2L	045692R1 045695R1	3 or 4 3 or 4	A A
2 Single arc chamber	E2BN E2L	045697R1 045699R1	3 or 4 3 or 4	
3 Operating mechanism	3p 4p	053988R1 053989R1	1 1	A A
4 Closing springs set	E2L E2BN 3p E2BN 4p	053990R1 053991R1 053992R1	1 1 1	A A A
5 CTs wiring set	3p 4p	045714R1 045716R1	1 1	
6 Nr.8 Jaw contacts set	complete range	047824R1	1	
7 Earth sliding contact set	complete range	045722R1	1	
8 Main shield c/w lateral escutcheon plates	3p 4p	047828R1 047829R1	1 1	
9 Safety shutters set	3p 4p	038261R1 038265R1	1 1	

X = Last product available

A = Assembly reserved to ABB SACE skilled technician

Low voltage air circuit-breakers

EMAX E3

Spare part description	Type	1SDA code	Q.ty	Note
1 Single complete pole	E3 NSH	045693R1	3 or 4	A
	E3L	045696R1	3 or 4	A
2 Single arc chamber	E3 NSH	045698R1	3 or 4	
	E3L	045700R1	3 or 4	
3 Operating mechanism	E3L	053988R1	1	A
	E3 NSH	053989R1	1	A
4 Closing springs set	E3L	053991R1	1	A
	E3 NSH 3p	053993R1	1	A
	E3 NSH 4p	053994R1	1	A
5 CTs wiring set	3p	045713R1	1	
	4p	045715R1	1	
6 Nr.8 Jaw contacts set	complete range	047825R1	1	
7 Earth sliding contact set	complete range	045722R1	1	
8 Main shield c/w lateral escutcheon plates	3p	047830R1	1	
	4p	047831R1	1	
9 Safety shutters set	3p	038262R1	1	
	4p	038266R1	1	

EMAX E4

Spare part description	Type	1SDA code	Q.ty	Note
1 Half pole for phase / complete neutral pole	complete range	045692R1	6 or 7	A
2 Single arc chamber	complete range	045697R1	3 or 4	
3 Operating mechanism	complete range	053989R1	1	A
4 Closing springs set	complete range	053995R1	1	A
5 CTs wiring set	3p	045717R1	1	
	4p	045718R1	1	
6 Nr.14 Jaw contacts set	complete range	047826R1	1	
7 Earth sliding contact set	complete range	045722R1	1	
8 Main shield c/w lateral escutcheon plates	3p	047832R1	1	
	4p	047833R1	1	
9 Safety shutters set	3p	038263R1	1	
	4p	038267R1	1	
	4p FULL SIZE	048732R1	1	

X = Last product available

A = Assembly reserved to ABB SACE skilled technician

EMAX E6

Spare part description	Type	1SDA code	Q.ty	Note
1 Half pole for E6 phase or complete neutral pole	complete range	045694R1	6 or 7	A
2 Single arc chamber	complete range	045698R1	6 or 7	
3 Operating mechanism	complete range	053989R1	1	A
4 Closing springs set	E6	053995R1	1	A
5 CTs wiring set	E6 FULL SIZE	053996R1	1	A
6 Nr.14 Jaw contacts set	3p	063406R1	1	
7 Earth sliding contact set	4p	063407R1	1	
8 Main shield c/w lateral escutcheon plates	complete range	047827R1	1	
9 Safety shutters set	complete range	045722R1	1	
	3p	047834R1	1	
	4p	047835R1	1	
	3p	038264R1	1	
	4p	038268R1	1	
	4p FULL SIZE	050846R1	1	

Common parts for entire range

Spare part description	Type	1SDA code	Q.ty	Note
10 Transparent protection for electronic release	complete range	045724R1	1	
11 Solenoid for PR111-112 electronic relais	complete range	045735R1	1	
12 Cover for test socket on electronic relais	complete range	045736R1	1	
13 PR112/B_Battery for electronic release	complete range	045737R1	1	
14 2 Kg bid of "5RX Moly" grease specific for operating mechanism	complete range	045738R1	1	
15 Tool case complete of taylor-made spanners and templates	complete range	038359R1	1	
16 Auxiliary board for fixed breaker	complete range	038342R1	1	
17 Sliding contacts for fixed part	complete range	038362R1	1	
18 Sliding contacts for moving part	complete range	038328R1	1	
19 Dustproof protection for panel's door	complete range	038096R1	1	
20 Racking out lever	complete range	038092R1	1	
21 Lifting plates	complete range	038093R1	1	
22 Front cover for breaker fitted with key lock	complete range	050701R1	1	
23 Lifting trolley till 300Kg	Suggested till E4 breakers	269199130 (*)	1	(1)
24 Lifting trolley till 500Kg	Suggested for E6 breakers	269599127 (*)	1	(2)
25 Slideproof plate	800 or 1000 mm plate	269199131 (*)	1	

⁽¹⁾ Suggested with 800 mm slideproof plate

⁽²⁾ Suggested with 1000 mm slideproof plate

X = Last product available

A = Assembly reserved to ABB SACE skilled technician

(*) UXAB code



store.ips.us



Low voltage air circuit-breakers NEW EMAX series



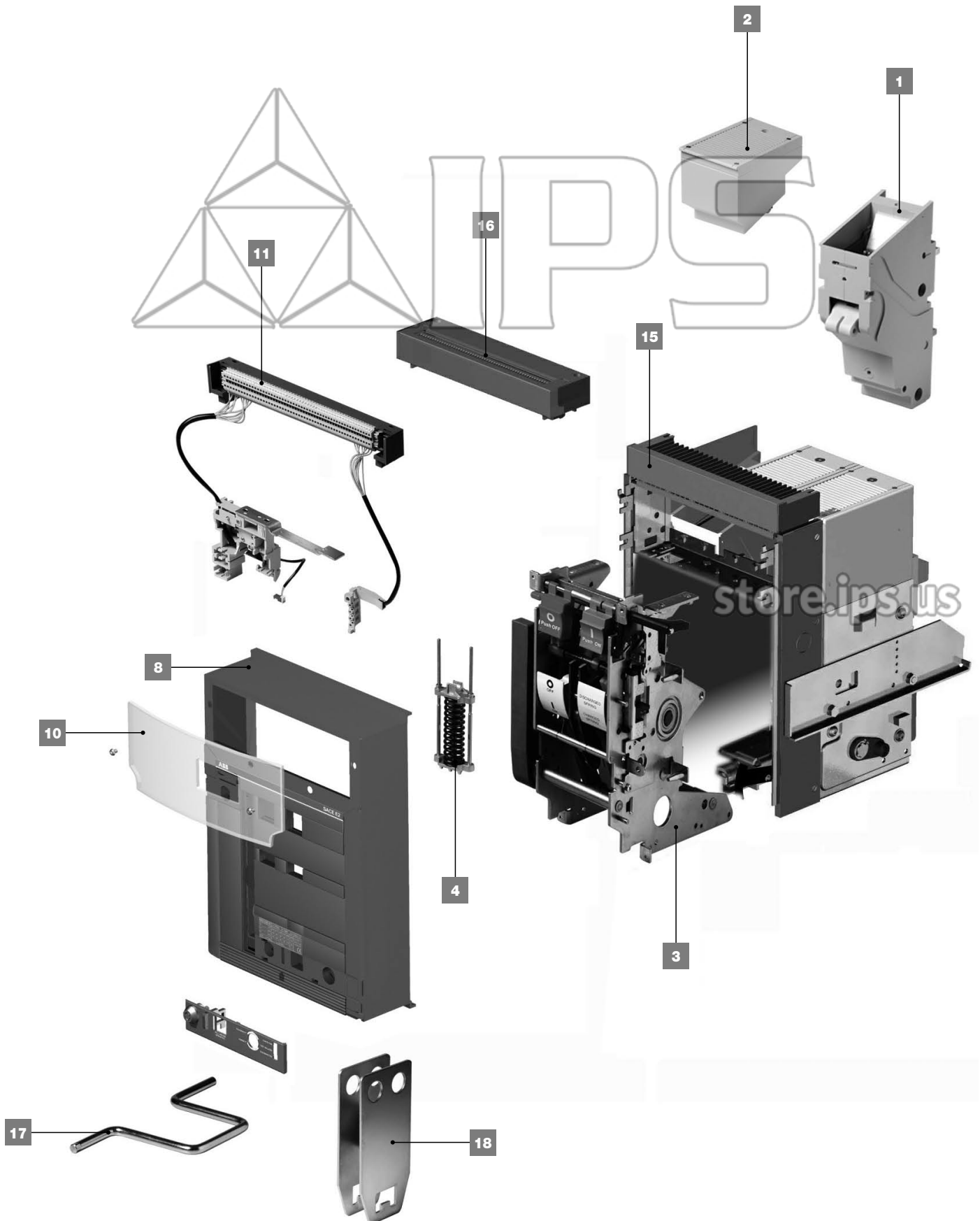
store.ips.us

2

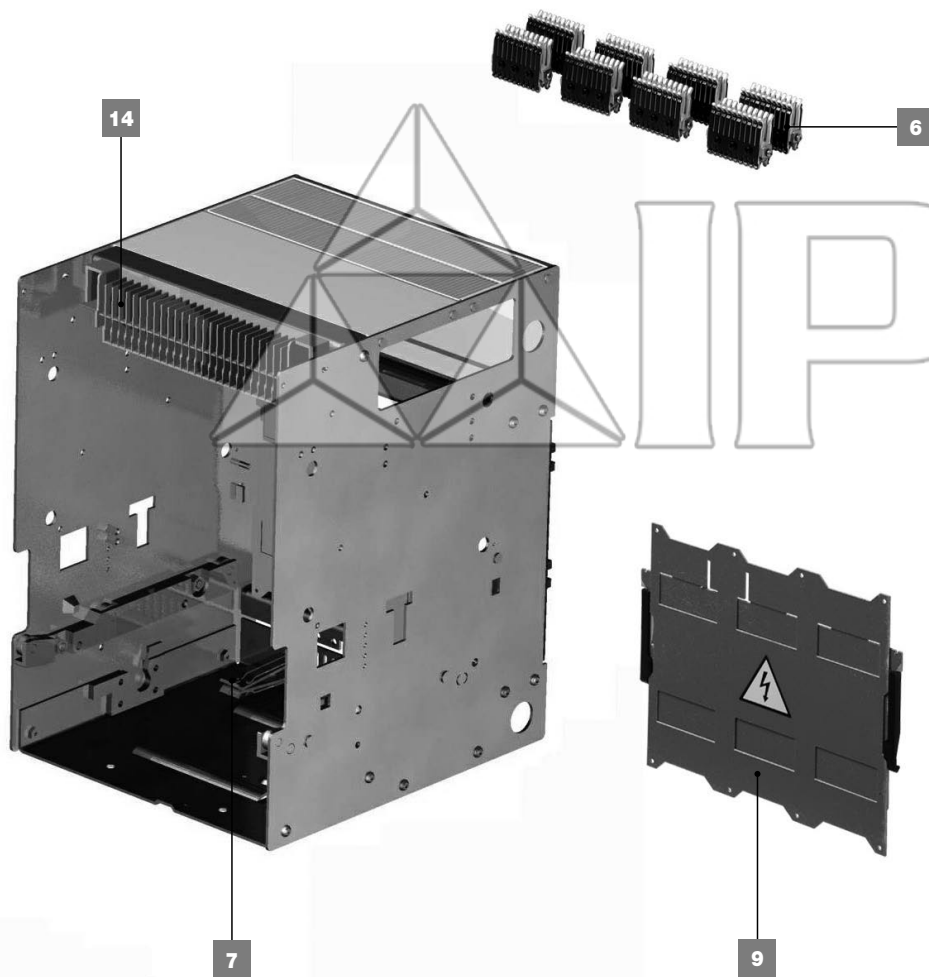
New Emax

Low voltage air circuit-breakers

NEW EMAX



2
New Emax

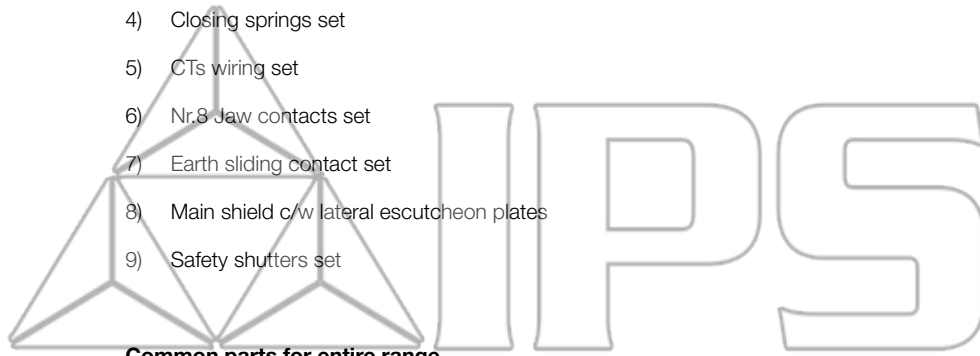


store.ips.us

Low voltage air circuit-breakers

Caption

- 1) Single complete pole
- 2) Single arc chamber
- 3) Operating mechanism
- 4) Closing springs set
- 5) CTs wiring set
- 6) Nr.8 Jaw contacts set
- 7) Earth sliding contact set
- 8) Main shield c/w lateral escutcheon plates
- 9) Safety shutters set



Common parts for entire range

- 10) Transparent protection for electronic release
- 11) Kit including I1/I4 mechanical flag + opening solenoid for electronic release
- 12) 2 Kg bid of "5RX Moly" grease specific for operating mechanism
- 13) Auxiliary board for fixed breaker
- 14) Sliding contacts for fixed part
- 15) Sliding contacts for moving part
- 16) IP20 protection for sliding contacts on moving part
- 17) Racking out lever
- 18) Lifting plate
- 19) Front cover for breaker fitted with key lock
- 20) Lifting trolley till 300Kg
- 21) Lifting trolley till 500Kg
- 22) Slideproof plate

store.ips.us

NEW EMAX E1

Spare part description	Type	1SDA code	Q.ty	Note
1 Single complete pole	complete range	045691R1	3 or 4	A
2 Single arc chamber	complete range	045697R1	3 or 4	
3 Operating mechanism	3p	053988R1	1	A
	4p	053989R1	1	A
4 Closing springs set	3p	053990R1	1	A
	4p	053991R1	1	A
5 CS wiring set	3p	063393R1	1	
	4p	063395R1	1	
6 Nr.8 Jaw contacts set	complete range	047823R1	1	
7 Earth sliding contact set	complete range	045722R1	1	
8 Main shield c/w lateral escutcheon plates	3p	058318R1	1	
	4p	058319R1	1	
9 Safety shutters set	3p	038261R1	1	
	4p	038265R1	1	

NEW EMAX E2

Spare part description	Type	1SDA code	Q.ty	Note
1 Single complete pole	E2BN	045692R1	3 or 4	A
	E2S	063387R1		A
	E2L	045695R1		A
2 Single arc chamber	E2BN	045697R1	3 or 4	
	E2L	045699R1		
3 Operating mechanism	3p	053988R1	1	A
	4p	053989R1	1	A
4 Closing springs set	E2L	053990R1	1	A
	E2BN 3p	053991R1	1	A
	E2BN 4p	053992R1	1	A
5 CS wiring set	3p	063393R1	1	
	4p	063395R1	1	
6 Nr.8 Jaw contacts set	E2BNL	047824R1	1	
6 Nr.8 double jaw contacts set	E2S	063400R1	1	
7 Earth sliding contact set	complete range	045722R1	1	
8 Main shield c/w lateral escutcheon plates	3p	058318R1	1	
	4p	058319R1	1	
9 Safety shutters set	3p	038261R1	1	
	4p	038265R1	1	

X = Last product available

A = Assembly reserved to ABB SACE skilled technician

Low voltage air circuit-breakers

NEW EMAX E3

Spare part description	Type	1SDA code	Q.ty	Note
1 Single complete pole	E3 NSH	045693R1	3 or 4	A
	E3L	045696R1		A
	E3V	063388R1		A
2 Single arc chamber	E3 NSH	045698R1	3 or 4	
	E3L	045700R1		
	E3V	063391R1		
3 Operating mechanism	E3L	053988R1	1	A
4 Closing springs set	E3 NSH	053989R1	1	A
	E3L	053991R1	1	A
5 CS wiring set	E3 NSH 3p	053993R1	1	A
	E3 NSH 4p	053994R1	1	A
	3p	063992R1	1	
6 Nr.8 Jaw contacts set	4p	063994R1	1	
	complete range	047825R1	1	
7 Earth sliding contact set	complete range	045722R1	1	
8 Main shield c/w lateral escutcheon plates	3p	053321R1	1	
	4p	053322R1	1	
9 Safety shutters set	3p	038262R1	1	
	4p	038266R1	1	

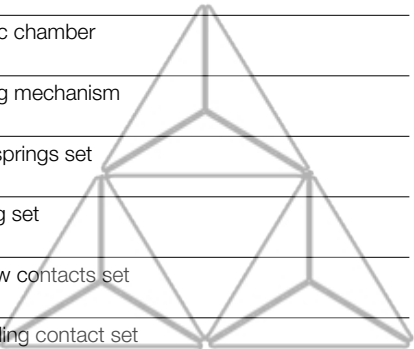
NEW EMAX E4

Spare part description	Type	1SDA code	Q.ty	Note
1 Half pole for phase / complete neutral pole	E4S_H	045692R1	6 or 7	A
	E4V	063990R1		A
2 Single arc chamber	complete range	045697R1	3 or 4	
3 Operating mechanism	complete range	053989R1	1	A
4 Closing springs set	complete range	053995R1	1	A
5 CS wiring set	3p	063396R1	1	
	4p	063397R1	1	
6 Nr.14 Jaw contacts set	complete range	063400R1	1	
7 Earth sliding contact set	complete range	045722R1	1	
8 Main shield c/w lateral escutcheon plates	3p	058323R1	1	
	4p	058326R1	1	
9 Safety shutters set	3p	038263R1	1	
	4p	038267R1	1	
	4p FULL SIZE	048732R1	1	

X = Last product available

A = Assembly reserved to ABB SACE skilled technician

NEW EMAX E6

Spare part description	Type	1SDA code	Q.ty	Note	
	1 Half pole for E6 phase or complete neutral pole	E6S_H 4p FULL SIZE	6 or 7	A	
	2 Single arc chamber	E6V		A	
	3 Operating mechanism	E6S_H E6V	045698R1	6 or 7	
	4 Closing springs set	complete range	053989R1	1	A
	5 CS wiring set	E6	053995R1	1	A
	6 Nr.14 Jaw contacts set	E6 FULL SIZE	053996R1	1	A
	7 Earth sliding contact set	3p 4p	063398R1 063399R1	1	
	8 Main shield c/w lateral escutcheon plates	complete range	047827R1	1	
	9 Safety shutters set	complete range	045722R1	1	
	3p	058327R1	1		
	4p	058328R1	1		
	3p	038264R1	1		
	4p	038268R1	1		
	4p FULL SIZE	050846R1	1		

Common parts for entire range

Spare part description	Type	1SDA code	Q.ty	Note
10 Transparent protection for electronic release	complete range, PR121	063326R1	1	
	complete range, PR122	063385R1	1	
11 Kit including I1/14 mechanical flag + opening solenoid for electronic release	complete range	063404R1	1	
12 2 Kg bid of "5RX Moly" grease specific for operating mechanism	complete range	045738R1	1	
13 Auxiliary board for fixed breaker	complete range	063401R1	1	
14 Sliding contacts for fixed part	complete range	063402R1	1	
15 Sliding contacts for moving part	complete range	063403R1	1	
16 IP20 protection for sliding contacts on moving part	complete range	063135R1	1	
17 Racking out lever	complete range	038092R1	1	
18 Lifting plate	complete range	038093R1	1	
19 Front cover for breaker fitted with key lock	complete range	063405R1	1	
20 Lifting trolley till 300Kg	Suggested till E4 breakers	269199130 (*)	1	(1)
21 Lifting trolley till 500Kg	Suggested for E6 breakers	269599127 (*)	1	(2)
22 Slideproof plate	800 or 1000 mm plate	269199131 (*)	1	

(1) Suggested with 800 mm slideproof plate

(2) Suggested with 1000 mm slideproof plate

X = Last product available

A = Assembly reserved to ABB SACE skilled technician

U = UXAB code



store.ips.us



store.ips.us



ABB SACE S.p.A

An ABB Group Company

L.V. Breakers

Via Baioni, 35

24123 Bergamo, Italy

Tel.: +39 035.395.111 - Telefax: +39 035.395.306-433

<http://www.abb.com>

Due to possible developments of standards as well as of materials, the characteristics and dimensions specified in the present catalogue may only be considered binding after confirmation by ABB SACE.