



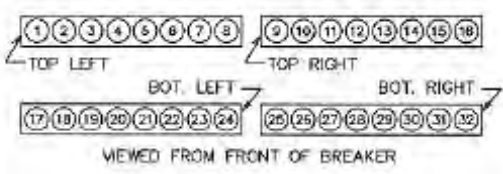
IPDS

ONLY THE 3RD CONT FROM EACH END OF ANY STA SEC CONT BLK CAN BE SPLIT (TEST & CONN)

EQUIP. SHOWN OUTSIDE OF BKR BROKEN LINE OUTLINE ON SCHEMES, IS NOT SUP. W/BKR

DIAGRAM DETAILS ARE SHOWN F.V. FOR DRAWOUT BKRS. FOR FIXED BKRS USE CORRESPONDING T. BLK POINTS INSTEAD OF DRAWOUT SECONDARY CONTACTS.

SEC CONT WIRE COLOR CODING-FOR REF ONLY



LEGEND

AMPT = AMPLECTOR, SOL-STATE CONT
 ACTR = ACTUATOR, SOL-STATE BKR TR
 HLS = HIGH LOAD SWITCH
 LCS = LATCH CHECK SWITCH
 LO = LOCK OUT
 LS = LIMIT SW FOR CLOSING SPR
 MOT = MOTOR FOR SPR CHARGING
 OTS = OVERCURRENT TRIP SWITCH
 FB = PUSHBUTTON
 SEN = SENSOR
 SH TR = SHUNT TRIP
 SR = SPRING RELEASE
 UV = UNDERVOLTAGE
 Y = ANTI-PUMP RELAY

OPERATION OF PWR OPR. MECH STD
(REFER TO FIG. 6A)

- 1 - WHEN BKR OPENS MOT IS ENERGIZED THRU LS & "b" CONT
- 2 - MOT RUNS & CHARGES CLSPG
- 3 - WHEN CL SPG ARE FULLY CHARGED LS CONTACTS REVERSE
- 4 - CLOSING CS-C CONT ENERGIZES SR COIL THRU Y, LS & "b" CONT
- 5 - WHEN BKR CLOSES "b" OPENS & Y COIL IS ENERG. IN SER WITH SR COIL
- 6 - Y CONT OPENS TO OPEN SR COIL-CKT & PREVENT BUMPING SHOULD BKR OPEN WHILE CS-C IS HELD CLOSED. Y COIL HAS VERY LOW DROP OUT VOLTAGE.

SPECIAL (FIG. 7A)

SAME AS FOR STD ABOVE EXCEPT MOTOR RUNNING DEPENDS ONLY ON LS CONTACT

CONTENTS		
L	EQUIPMENT	SH
	LEGEND	1
1	SERIES TRIP, 3P	2
2	ELEC. SPRING REL	3
3	SHUNT TRIP	3
4	ELEC. LO (MO BKR)	3
5	UNDERVOLTAGE	3
6	OC TR SW (OTS)	4
7	BLANK	5
8	PWR OPR MECH, STD	6
9	PWR OPR MECH, SPL	7
10	BLANK	8
11	AUX SW 1	9
12	AUX SW 1	10
13	AUX SW 2	11
14	AUX CT FOR GRD EL	12
15	MISC	13
16	SERIES TR AMPT II	14
17	SPECIAL	15
18	SPECIAL	16
19	OEM SPECIAL	17
20	RMS DIGITRIP	18
21	SCHEMATIC T500	19
22	SCHEMATIC T600	20
23	SCHEMATIC T700&T800	21
24	SCHEMATIC B100	22
25	SUB NOTES	23

NOTES:

1. TABULATION ON LH SIDE OF EACH FIG. IS LOCATION CODE FOR WIRING HARNESS.
2. A NUMERAL IS ADDED TO CERTAIN FIG. NO. ON THE BKR NP TO INDICATE COIL VOLTAGE AS FOLLOWS: 1, 2, 3 & 4 = 24, 48, 125 & 250V DC RESP; 5, 6, 7 & 8 = 115, 208/230, 460 & 208V ONLY, AC RESP; 9 = ANY OTHER VOLT (32V DC, ETC.) MAN. OPR BKR WITH SHUNT TRIP & CAP DEV WILL HAVE DIAG CODE 3BC

NEXT ASSY
 ENG REF 800A600
 1A33600
 SEE SEPERATE PL
 PL 508B508

REV.	REVISION	1	2	3	4	5	6	7	8	9
	RN-42620									
	T0011786									
	T0011090									
	T0042790									
	T0123190									
	T0100392									
	T0011294									
	T0030794									
	T0010496									

UNLESS OTHERWISE SPECIFIED DIMENSIONS IN INCHES

TWO PLACE DEC	0.00
THREE PLACE DEC	0.000
FOUR PLACE DEC	0.0000
FIVE PLACE DEC	0.00000
SIX PLACE DEC	0.000000
SEVEN PLACE DEC	0.0000000
EIGHT PLACE DEC	0.00000000
NINE PLACE DEC	0.000000000
TEN PLACE DEC	0.0000000000
ELEVEN PLACE DEC	0.00000000000
TWELVE PLACE DEC	0.000000000000
THIRTEEN PLACE DEC	0.0000000000000
FOURTEEN PLACE DEC	0.00000000000000
FIFTEEN PLACE DEC	0.000000000000000
SIXTEEN PLACE DEC	0.0000000000000000
SEVENTEEN PLACE DEC	0.00000000000000000
EIGHTEEN PLACE DEC	0.000000000000000000
NINETEEN PLACE DEC	0.0000000000000000000
TWENTY PLACE DEC	0.00000000000000000000

OVER AGUE/TH APPRO. MCGURTT APPRO. BLUDL ENG. REF 800A600, 1A33600 NEXT REF. TOOL REF.

DATE 1-17-85

ALL REV. NOTES LISTED ON SHEET 22. ALL OTHER SHEETS LIST REV. NO. ONLY

STATISTICAL SAMPLING DIVISION

THE INFORMATION ON THIS DRAWING IS THE PROPERTY OF EATON CORPORATION. IT IS DISCLOSED IN CONFIDENCE AND IS NOT TO BE REPRODUCED, USED OR DISCLOSED EXCEPT FOR THE PURPOSE FOR WHICH FURNISHED.

EATON

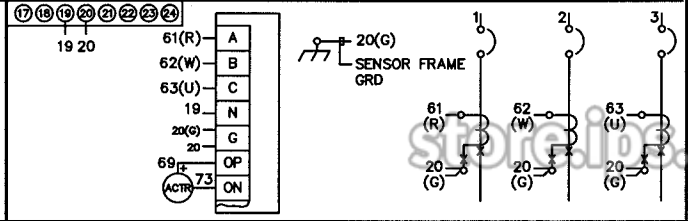
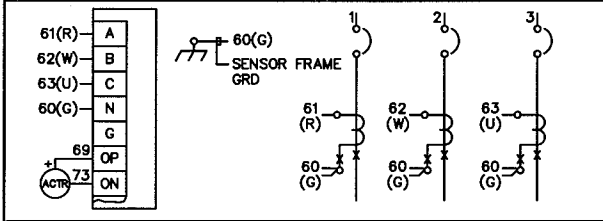
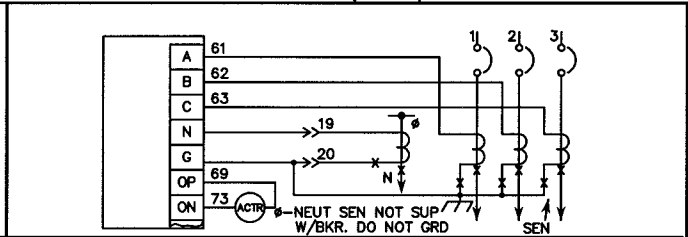
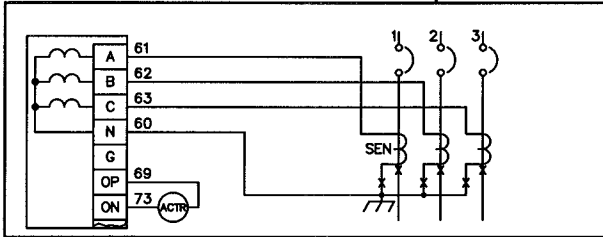
CUTLER-HAMMER
 TECHNOLOGY AND QUALITY CENTER PITTSBURGH, PA.

TITLE
**DS CIRCUIT BREAKER
 BREAKER INTERNAL WIRING
 LEGEND**

DWG. NO. **508B508**

SIZE **B** CAD DIRECTORY MANAGED BY CMS

SCALE 1=1 PARTS LIST 508B508 PRODUCT CODE 666X SHEET NO. 1 of 23

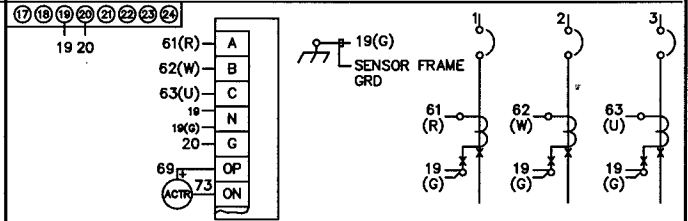
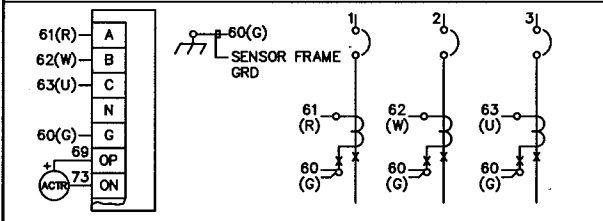
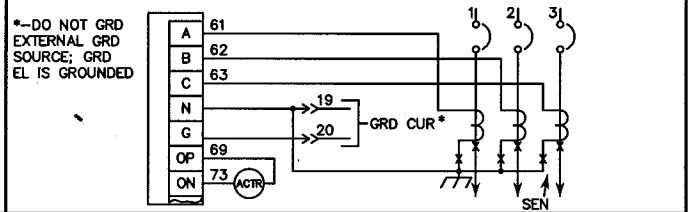
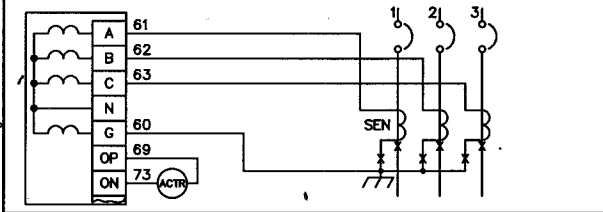


STD SERIES TRIP (NO GRD)

2A

SER TRIP W/GRD, W/NEUT CONN

2C



SER TRIP W/GRD, NO NEUT CONN

2B

SER TRIP W/GRD, EXT GRD CUR

2D

1	2	3	4	5	6	7	8	9	
REVISION	REV-1B2620	TQ011789	TQ011090	TQ042790	TQ123190	TQ100592	TQ011294	TQ030794	TQ010496

ALL REV. NOTES LISTED ON SHEET 22 ALL OTHER SHEETS LIST REV. NO. ONLY

UNLESS OTHERWISE SPECIFIED DIMENSIONS IN INCHES

TWO PLACE DEC. ±.02
THREE PLACE DEC. ±.003
ANGLES ±1/2°
ONE PLACE IN ±0.3
TWO PLACE IN ±0.13
VOLTAGE ±2%
RESISTANCE ±10%
AMPERAGE ±2%
FORCE ±10%
TORQUE ±10%
SPEED ±10%
TIME ±1%

TEMPERATURE ±3°C ±5°F

* STATISTICAL SAMPLING DIMENSION

DATE 1-17-89

APPR. AGLIETTI
McGUFFIE

DATE

DATE

ENG. REF. 800A600, 1A33600

NEXT REF.

TOOL REF.

DSPEC.

THE INFORMATION ON THIS DRAWING IS THE PROPERTY OF EATON CORPORATION. IT IS DISCLOSED IN CONFIDENCE AND IS NOT TO BE REPRODUCED, USED OR DISCLOSED EXCEPT FOR THE PURPOSE FOR WHICH FURNISHED.

EATON

CUTLER-HAMMER
TECHNOLOGY AND QUALITY CENTER PITTSBURGH, PA.

TITLE
DS CIRCUIT BREAKER
SERIES TRIP, 3P DIGITRIP
AMPT. I & AMPT. II

SIZE B
CAD DIRECTORY MANAGED BY CMS
DWG. NO. 508B508

SCALE 1=1

PARTS LIST 508B508

PRODUCT CODE 666X

SHEET NO. 2 OF 23

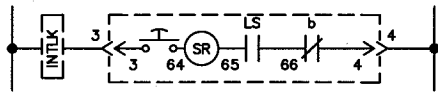
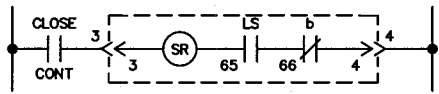
4

3

DWG. NO. 508B508

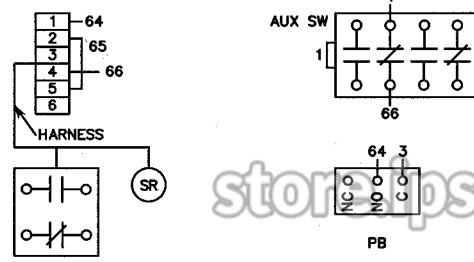
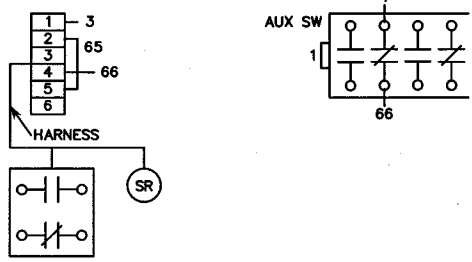
SHEET 3 REV. 9

1



TOP ROW

TOP ROW

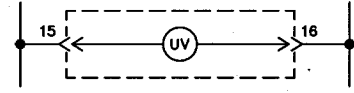
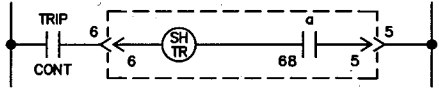


ELEC SPRING REL (MAN. BKR)

3A

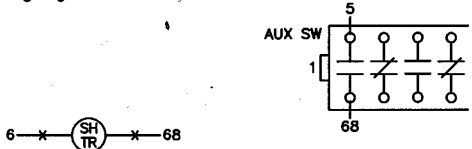
ELEC LOCKOUT (MAN. BKR)

3C



TOP ROW

TOP ROW



SHUNT TRIP (MAN. BKR)

3B

UNDERVOLTAGE

3D

1	2	3	4	5	6	7	8	9
REVISION RN-1B2620	TQ011789	TQ011090	TQ042790	TQ123190	TQ100592	TQ011294	TQ030794	TQ010496

UNLESS OTHERWISE SPECIFIED DIMENSIONS IN INCHES TWO PLACE DEC. ±.02 THREE PLACE DEC. ±.003 ANGLES ±1/2° ONE PLACE MM ±0.5 TWO PLACE MM ±0.13 VOLTAGE ±10% RESISTANCE ±5% AMPERE ±2% FORCE ±10% TORQUE ±10% SPEED ±10% TIME ±1% TEMPERATURE ±7C ±2F	DATE 1-17-89
	DATE
	DATE
	DATE
APPR. MCGUFFIE	DATE
APPR. BUDOL	DATE
ENG. REF. 800A600, 1A33600	NEXT REF.
TOOL REF.	
* STATISTICAL SAMPLING DIMENSION	DSPEC.

THE INFORMATION ON THIS DRAWING IS THE PROPERTY OF EATON CORPORATION. IT IS DISCLOSED IN CONFIDENCE AND IS NOT TO BE REPRODUCED, USED OR DISCLOSED EXCEPT FOR THE PURPOSE FOR WHICH FURNISHED.

EATON

CUTLER-HAMMER
TECHNOLOGY AND QUALITY CENTER PITTSBURGH, PA.

TITLE
DS CIRCUIT BREAKER
BASIC ACCESSORIES

SIZE **B** CAD DIRECTORY
MANAGED BY CMS

DWG. NO. **508B508**

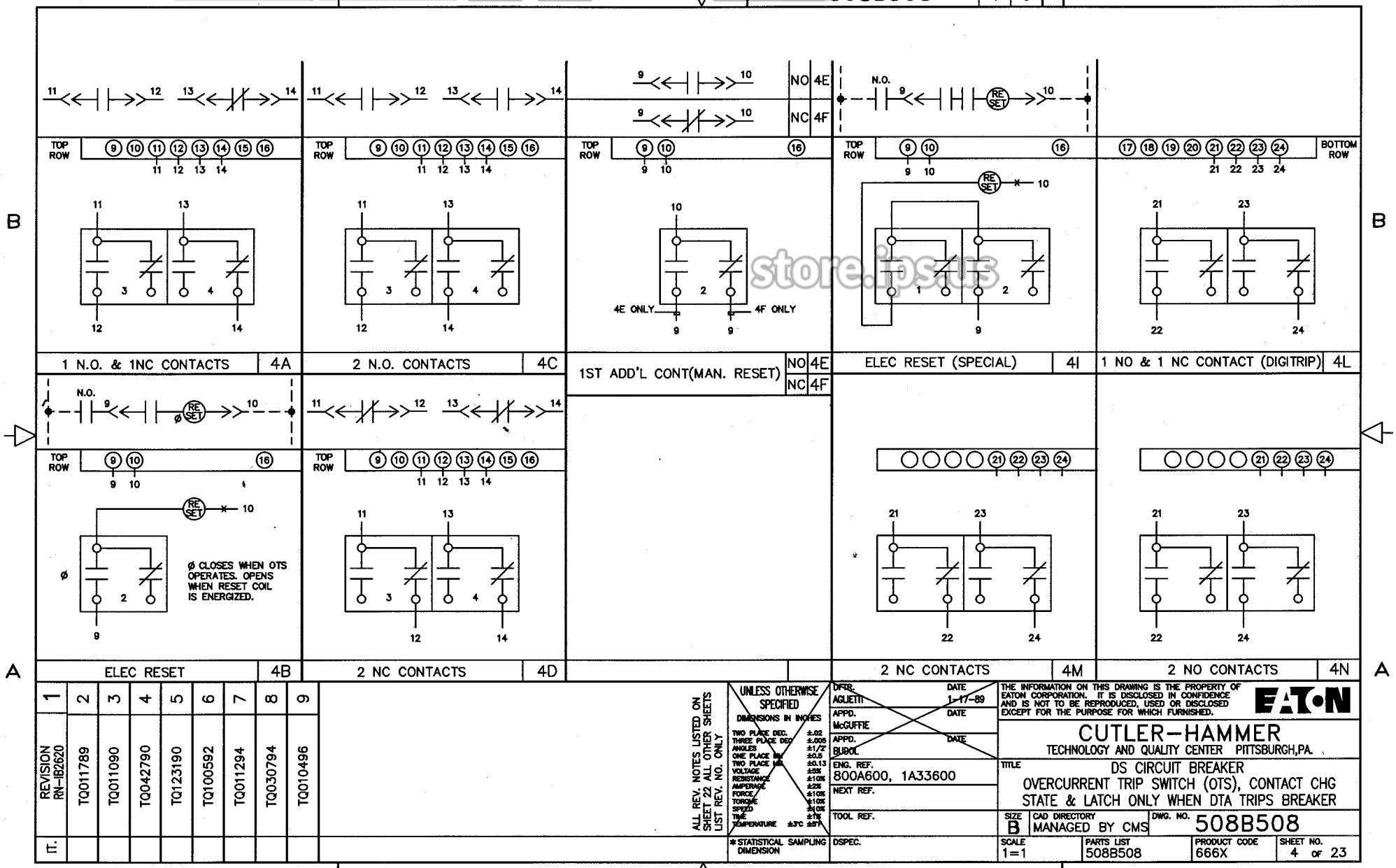
SCALE 1=1 PARTS LIST 508B508 PRODUCT CODE 666X SHEET NO. 3 of 23

4

3

2

1



1	2	3	4	5	6	7	8	9
REVISION RN-1B2620	TQ011789	TQ011090	TQ042790	TQ123190	TQ100592	TQ011294	TQ030794	TQ010496

ALL REV. NOTES LISTED ON SHEET 22 ALL OTHER SHEETS LIST REV. NO. ONLY		UNLESS OTHERWISE SPECIFIED DIMENSIONS IN INCHES TWO PLACE DEC. ±.02 THREE PLACE DEC. ±.005 ANGLES 1/2° ±0.5 ONE PLACE INCH ±0.13 TWO PLACE INCH ±0.13 VOLTAGE ±3% RESISTANCE ±10% AMPERAGE ±2% FORCE ±10% TORQUE ±10% SPEED ±1% TIME ±1% TEMPERATURE ±3°C ±5°F	DFR: AGLIETTI APPD. MCGURIE DATE 1-17-89 DATE DATE DATE ENG. REF. 800A600, 1A33600 NEXT REF. TOOL REF. DSPEC.	THE INFORMATION ON THIS DRAWING IS THE PROPERTY OF EATON CORPORATION. IT IS DISCLOSED IN CONFIDENCE AND IS NOT TO BE REPRODUCED, USED OR DISCLOSED EXCEPT FOR THE PURPOSE FOR WHICH FURNISHED.
---	--	--	--	--

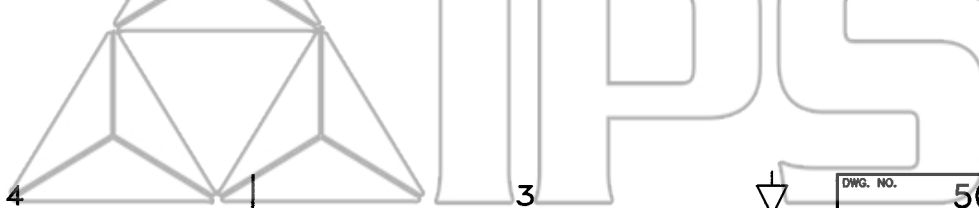
EATON

CUTLER-HAMMER
 TECHNOLOGY AND QUALITY CENTER PITTSBURGH, PA.

TITLE: DS CIRCUIT BREAKER OVERCURRENT TRIP SWITCH (OTS), CONTACT CHG STATE & LATCH ONLY WHEN DTA TRIPS BREAKER

SIZE B CAD DIRECTORY MANAGED BY CMS DWG. NO. 508B508

SCALE 1=1 PARTS LIST 508B508 PRODUCT CODE 666X SHEET NO. 4 of 23



store.ips.us

BLANK

1	2	3	4	5	6	7	8	9
REVISION RN-1B2620	TQ011789	TQ011090	TQ042790	TQ123190	TQ100592	TQ011294	TQ030794	TQ010496

ALL REV. NOTES LISTED ON SHEET 22 ALL OTHER SHEETS LIST REV. NO. ONLY

UNLESS OTHERWISE SPECIFIED
DIMENSIONS IN INCHES
TWO PLACE DEC. ±.02
THREE PLACE DEC. ±.005
ANGLES ±1/2°
ONE PLACE IN ±0.5
TWO PLACE IN ±0.13
VOLTAGE ±5%
RESISTANCE ±10%
AMPERAGE ±2%
FORCE/TORQUE ±10%
SPEED ±10%
TIME ±1%
TEMPERATURE ±3°C ±5°F

DESIGNER AGLIETTI	DATE 1-17-89
APPROVED McGUFFIE	DATE
APPROVED BUBOL	DATE
ENG. REF. 800A600, 1A33600	
NEXT REF.	
TOOL REF.	

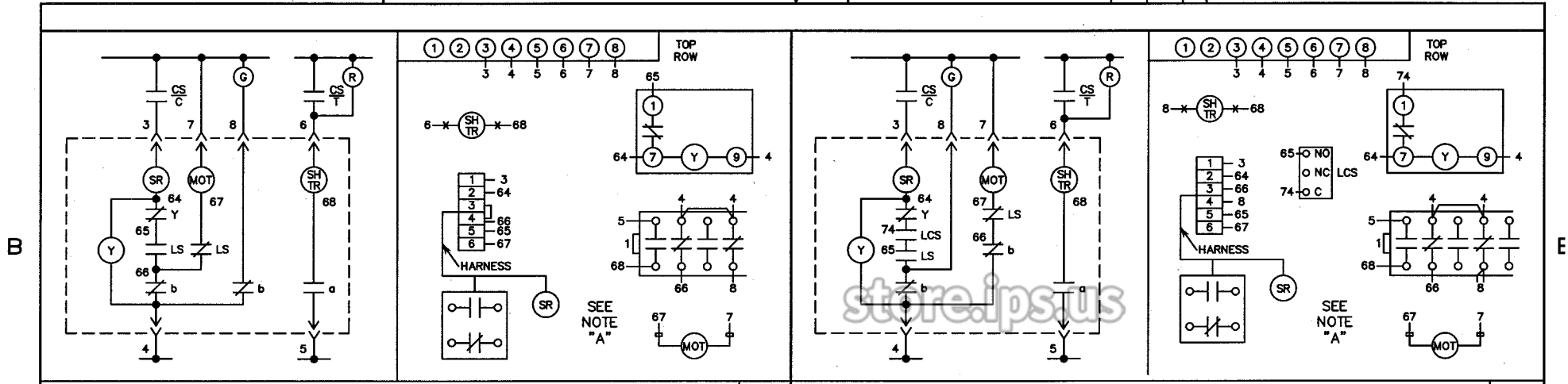
THE INFORMATION ON THIS DRAWING IS THE PROPERTY OF EATON CORPORATION. IT IS DISCLOSED IN CONFIDENCE AND IS NOT TO BE REPRODUCED, USED OR DISCLOSED EXCEPT FOR THE PURPOSE FOR WHICH FURNISHED.

EATON

CUTLER-HAMMER
TECHNOLOGY AND QUALITY CENTER PITTSBURGH, PA.

TITLE
DS CIRCUIT BREAKER

SIZE B	CAD DIRECTORY MANAGED BY CMS	DWG. NO. 508B508
SCALE 1=1	PARTS LIST 508B508	PRODUCT CODE 666X
		SHEET NO. 5 of 23

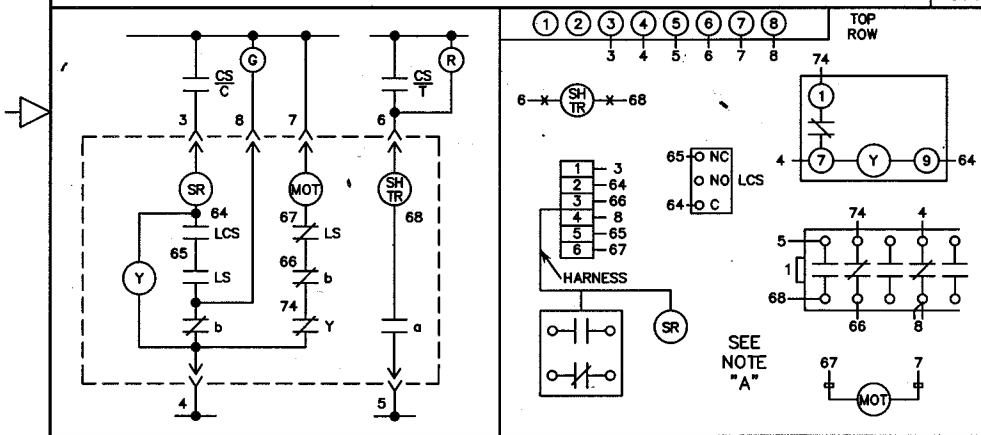


PWR OPR MECH, STD

6A

PWR OPR MECH W/LCS - "Y" CONTACT IN "SR" CKT

6C



PWR OPR MECH, STD W/LCS

6B

NOTE "A" SHUNT TRIP IS WIRED PER FIG. 3B

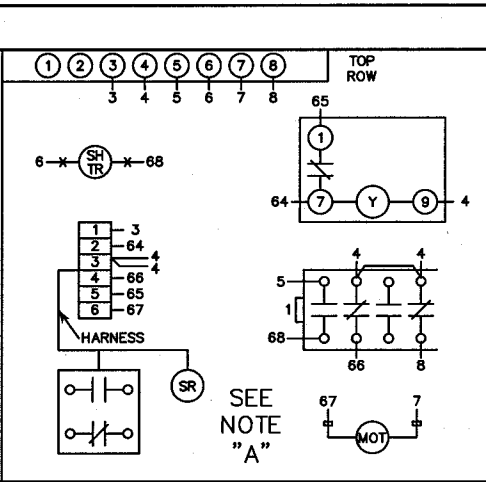
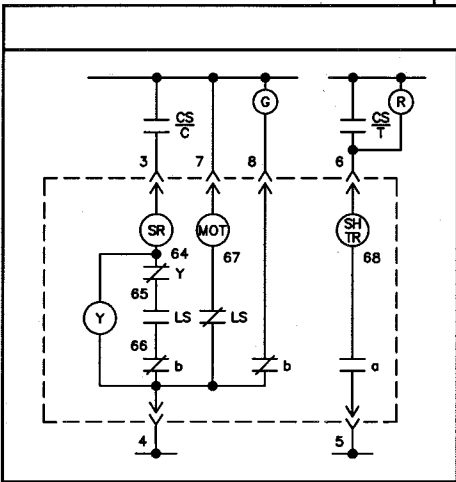
1	2	3	4	5	6	7	8	9
REVISION								
RN-1B2620	TQ011789	TQ011090	TQ042790	TQ123190	TQ100592	TQ011294	TQ030794	TQ010496

ALL REV. NOTES LISTED ON SHEET 22, ALL OTHER SHEETS LIST REV. NO. ONLY

UNLESS OTHERWISE SPECIFIED DIMENSIONS IN INCHES TWO PLACE DEC. ±.02 THREE PLACE DEC. ±.003 ANGLES ±1/2° ONE PLACE MM ±0.5 TWO PLACE MM ±0.13 VOLTAGE ±2% RESISTANCE ±10% AMPERAGE ±2% FORCE ±10% TORQUE ±10% SPEED ±10% TIME ±1% TEMPERATURE ±7C ±3F	DATE	1-17-89
	APPD.	AGLIETTI
	APPD.	McGUFFIE
	APPD.	BLUDOL
ENG. REF.	800A600, 1A33600	
NEXT REF.		
TOOL REF.		
DSPEC.		

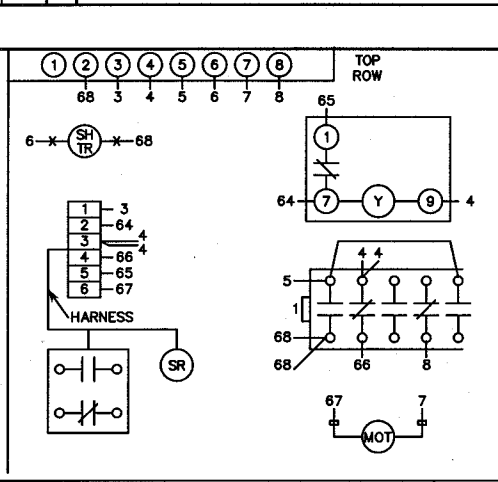
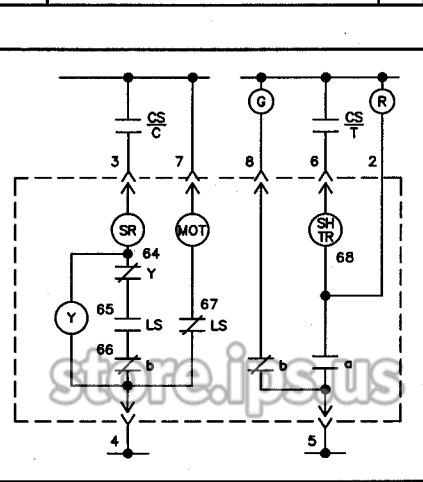
THE INFORMATION ON THIS DRAWING IS THE PROPERTY OF EATON CORPORATION. IT IS DISCLOSED IN CONFIDENCE AND IS NOT TO BE REPRODUCED, USED OR DISCLOSED EXCEPT FOR THE PURPOSE FOR WHICH FURNISHED.			
EATON			
CUTLER-HAMMER			
TECHNOLOGY AND QUALITY CENTER PITTSBURGH, PA.			
TITLE DS CIRCUIT BREAKER PWR OPERATED MECH STD CL SPRINGS CHARGED AFTER BKR OPENS			
SIZE	CAD DIRECTORY	DWG. NO.	
B	MANAGED BY CMS	508B508	
SCALE	PARTS LIST	PRODUCT CODE	SHEET NO.
1=1	508B508	666X	6 of 23

B



PWR OPR MECH, SPECIAL

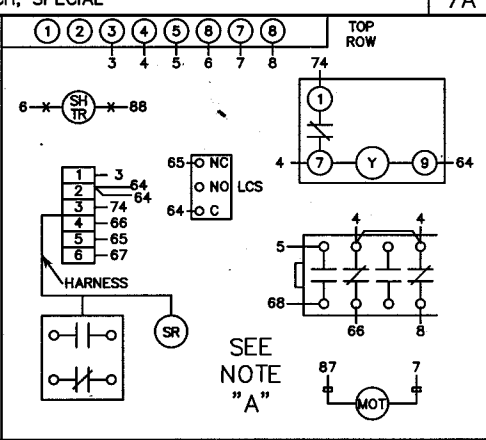
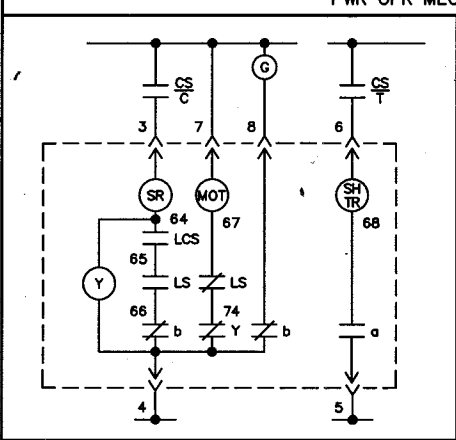
7A



PWR OPER MECH, SPECIAL

7C

A



PWR OPR MECH W/LCS, SPECIAL

7B

NOTE "A" SHUNT TRIP WIRED PER FIGURE 3B

A

A

1	2	3	4	5	6	7	8	9
REVISION	TQ011789	TQ011090	TQ042790	TQ123190	TQ100592	TQ011294	TQ030794	TQ010496
RN-182620								

UNLESS OTHERWISE SPECIFIED
DIMENSIONS IN INCHES

TWO PLACE DEC. ±.02
THREE PLACE DEC. ±.005
ANGLES ±1/2°
ONE PLACE IN ±0.5
TWO PLACE IN ±0.15
VOLTAGE ±5%
RESISTANCE ±10%
AMPERAGE ±2%
FORCE/TORQUE ±10%
SPEED ±10%
TEMPERATURE ±3°C ±5°F

ALL REV. NOTES LISTED ON SHEET 22 ALL OTHER SHEETS LIST REV. NO. ONLY

DATE 1-17-89

AGLIETTI

APPD. MCGUFFIE

APPD. BUBOL

ENG. REF. 800A600, 1A33600

TOOL REF.

DATE

DATE

DSPEC.

THE INFORMATION ON THIS DRAWING IS THE PROPERTY OF EATON CORPORATION. IT IS DISCLOSED IN CONFIDENCE AND IS NOT TO BE REPRODUCED, USED OR DISCLOSED EXCEPT FOR THE PURPOSE FOR WHICH FURNISHED.

EATON

CUTLER-HAMMER
TECHNOLOGY AND QUALITY CENTER PITTSBURGH, PA.

TITLE DS CIRCUIT BREAKER
PWR OPERATED MECH SPECIAL
CL SPRINGS CHARGED AFTER BKR CLOSURE

SIZE B CAD DIRECTORY MANAGED BY CMS

DWG. NO. 508B508

SCALE 1=1

PARTS LIST 508B508

PRODUCT CODE 666X

SHEET NO. 7 OF 23

4

3

2

1



IPS

DWG. NO. 508B508

SHEET 8 REV. 9

1

store.ips.us

BLANK

1	2	3	4	5	6	7	8	9
REVISION RN-1B2620	TQ011789	TQ011090	TQ042790	TQ123190	TQ100592	TQ011294	TQ030794	TQ010496

ALL REV. NOTES LISTED ON SHEET 22 ALL OTHER SHEETS LIST REV. NO. ONLY

UNLESS OTHERWISE SPECIFIED

DIMENSIONS IN INCHES

TWO PLACE DEC. ±.02
THREE PLACE DEC. ±.005
ANGLES ±1/2°
ONE PLACE IN. ±0.5
TWO PLACE IN. ±0.13
VOLTAGE ±5%
RESISTANCE ±10%
AMPERAGE ±5%
FORCE ±10%
TORQUE ±10%
SPEED ±10%
TIME ±1%
TEMPERATURE ±3°C ±0°F

DRAWN: AGUETTI
DATE: 1-17-89
APPD. DATE
McGUFFIE
APPD. DATE
BURDOL
ENG. REF. 800A600, 1A33600
NEXT REF.
TOOL REF.

THE INFORMATION ON THIS DRAWING IS THE PROPERTY OF EATON CORPORATION. IT IS DISCLOSED IN CONFIDENCE AND IS NOT TO BE REPRODUCED, USED OR DISCLOSED EXCEPT FOR THE PURPOSE FOR WHICH FURNISHED.

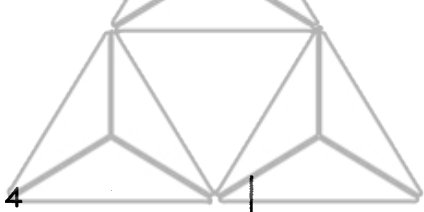


CUTLER-HAMMER
TECHNOLOGY AND QUALITY CENTER PITTSBURGH, PA.

TITLE DS CIRCUIT BREAKER

SIZE B CAD DIRECTORY DWG. NO. 508B508
MANAGED BY CMS

SCALE 1=1 PARTS LIST 508B508 PRODUCT CODE 666X SHEET NO. 8 of 23

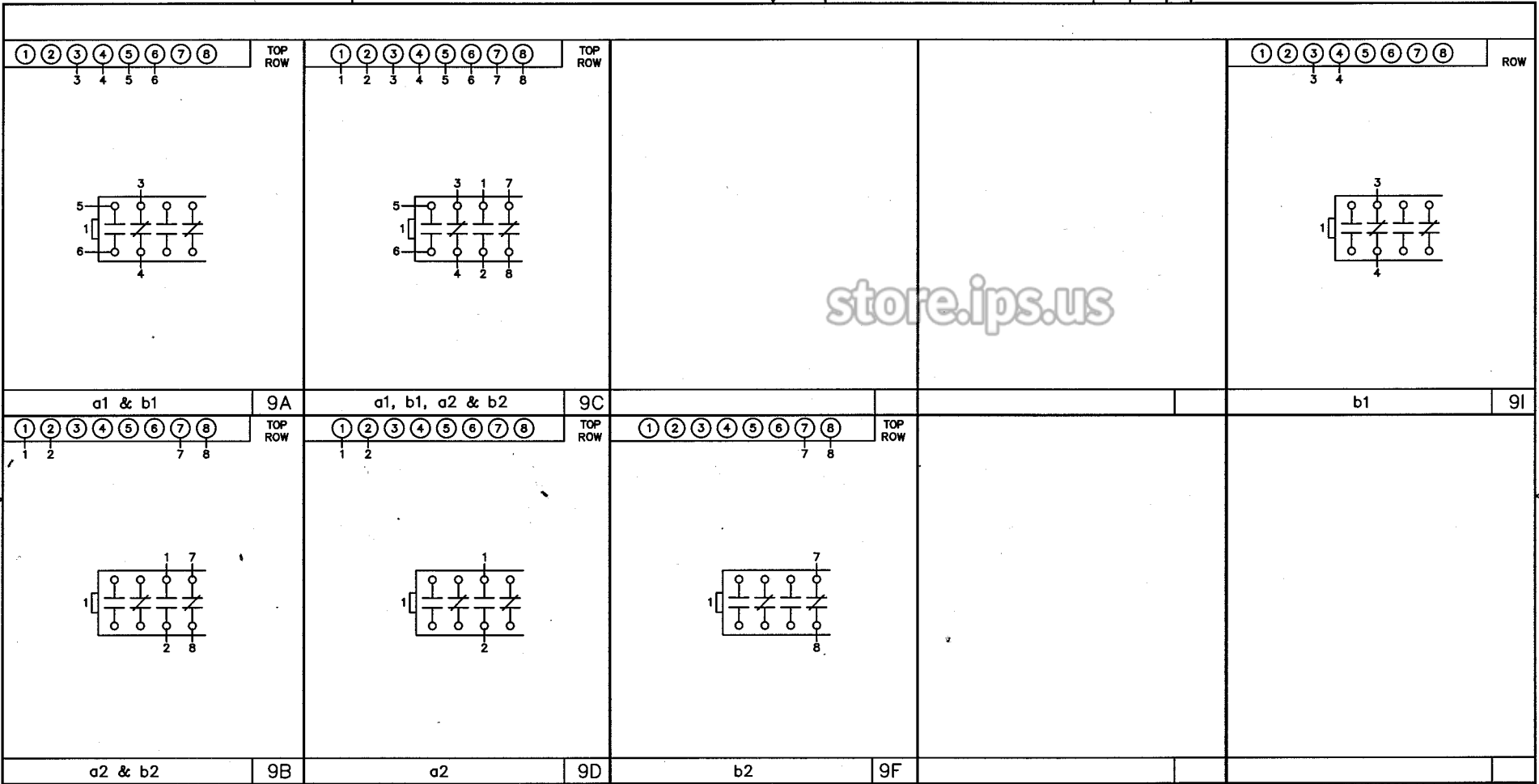


DWG. NO.

508B508

SHEET 9 REV. 9

1



store.ips.us

1	2	3	4	5	6	7	8	9
REVISION RN-1B2620	TQ011789	TQ011090	TQ042790	TQ123190	TQ100592	TQ011294	TQ030794	TQ010496

UNLESS OTHERWISE SPECIFIED
DIMENSIONS IN INCHES

TWO PLACE DEC.	±.02
THREE PLACE DEC.	±.005
ANGLES	±1/2°
ONE PLACE IN.	±0.0
TWO PLACE IN.	±0.13
VOLTAGE	±5%
RESISTANCE	±10%
AMPERAGE	±2%
FORCE / TORQUE	±10%
SPEED	±10%
TEMPERATURE	±3°C ±5°F

ALL REV. NOTES LISTED ON SHEET 22 ALL OTHER SHEETS LIST REV. NO. ONLY

* STATISTICAL SAMPLING DIMENSION

DATE 1-17-89
DATE
DATE

DRFR. AGUETTI
APPD. McGUFFIE
APPD. BUBOL
ENG. REF. 800A600, 1A33600
NEXT REF.
TOOL REF.

THE INFORMATION ON THIS DRAWING IS THE PROPERTY OF EATON CORPORATION. IT IS DISCLOSED IN CONFIDENCE AND IS NOT TO BE REPRODUCED, USED OR DISCLOSED EXCEPT FOR THE PURPOSE FOR WHICH FURNISHED.

EATON

CUTLER-HAMMER
TECHNOLOGY AND QUALITY CENTER PITTSBURGH, PA.

TITLE DS CIRCUIT BREAKER AUXILIARY SWITCH 1LB

SIZE B CAD DIRECTORY MANAGED BY CMS
DWG. NO. 508B508

SCALE 1=1 PARTS LIST 508B508 PRODUCT CODE 666X SHEET NO. 9 of 23

4

3

DWG. NO.

508B508

SHEET 10

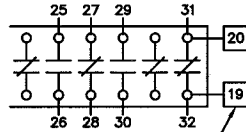
REV. 9

1

B

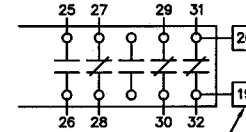
B

25 26 27 28 29 30 31 32 BOTTOM ROW



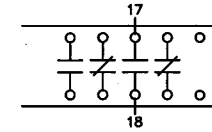
AUX SW TERM PTS

25 26 27 28 29 30 31 32 BOTTOM ROW



AUX SW TERM PTS

17 18 19 20 21 22 23 24 BOTTOM ROW



18

a1, b1, a2, & b2 10C

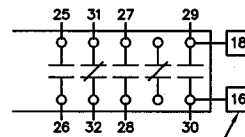
a1, b1, b2 & b3 10G

a CONTACT 10I

A

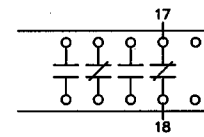
A

25 26 27 28 29 30 31 32 BOTTOM ROW



AUX SW TERM PTS

17 18 19 20 21 22 23 24 BOTTOM ROW



18

a1, a2, a3 & b1 10F

b CONTACT 10H

1	2	3	4	5	6	7	8	9
REVISION RN-1B2620	TQ011789	TQ011090	TQ042790	TQ123190	TQ100592	TQ011294	TQ030794	TQ010496
IT.								

ALL REV. NOTES LISTED ON SHEET 22 ALL OTHER SHEETS LIST REV. NO. ONLY

UNLESS OTHERWISE SPECIFIED DIMENSIONS IN INCHES TWO PLACE DEC. ±.02 THREE PLACE DEC. ±.005 ANGLES 1/2 ONE PLACE INCH ±0.5 TWO PLACE INCH ±0.13 VOLTAGE ±5% RESISTANCE ±10% AMPERAGE ±2% FORCE ±10% TORQUE ±10% SPEED ±5% TEMPERATURE ±3% ±5%

DATE 1-17-89 APPD. McGUFFIE DATE DATE DATE ENG. REF. B00A600, 1A33600 NEXT REF. TOOL REF.

THE INFORMATION ON THIS DRAWING IS THE PROPERTY OF EATON CORPORATION. IT IS DISCLOSED IN CONFIDENCE AND IS NOT TO BE REPRODUCED, USED OR DISCLOSED EXCEPT FOR THE PURPOSE FOR WHICH FURNISHED.



CUTLER-HAMMER TECHNOLOGY AND QUALITY CENTER PITTSBURGH, PA.

TITLE DS CIRCUIT BREAKER AUXILIARY SWITCH 1RB

SIZE B CAD DIRECTORY MANAGED BY CMS DWG. NO. 508B508

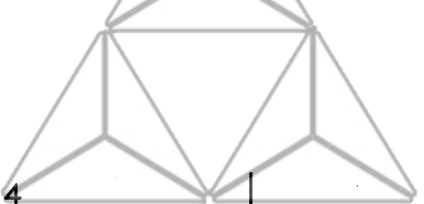
SCALE 1=1 PARTS LIST 508B508 PRODUCT CODE 666X SHEET NO. 10 of 23

4

3

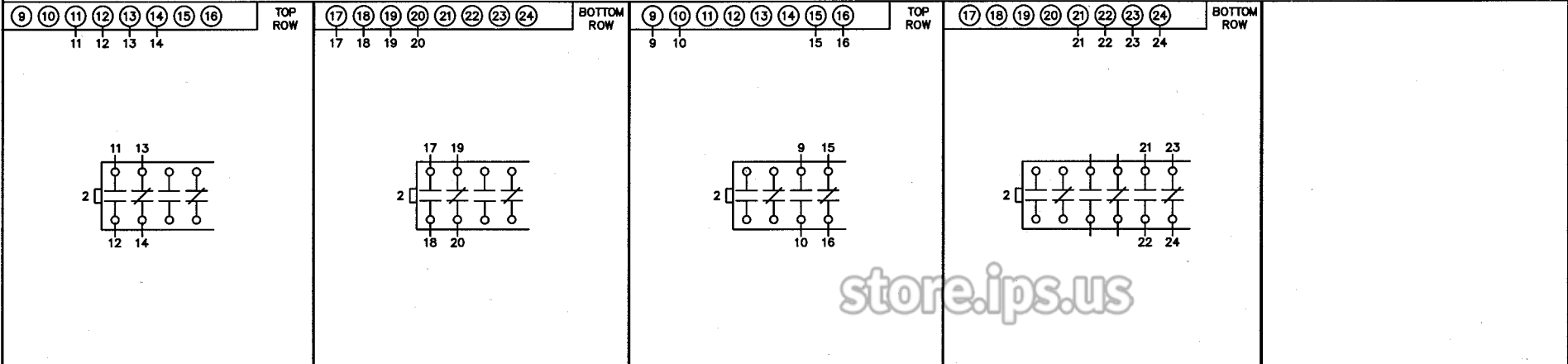
2

1



DWG. NO. 508B508 SHEET 11 REV. 9

1



store.ips.us

a1 & b1 11A a1 & b1 11C a2 & b2 11E a3 & b3 11G

1	2	3	4	5	6	7	8	9
REVISION RN-1B2620	TQ011789	TQ011090	TQ042790	TQ123190	TQ100592	TQ011294	TQ030794	TQ010496

ALL REV. NOTES LISTED ON SHEET 22 ALL OTHER SHEETS LIST REV. NO. ONLY

UNLESS OTHERWISE SPECIFIED
DIMENSIONS IN INCHES

TWO PLACE DEC. ±.02
THREE PLACE DEC. ±.003
ANGLES ±1/2°
ONE PLACE INCH ±0.5
TWO PLACE INCH ±0.13
VOLTAGE ±5%
RESISTANCE ±10%
AMPEREAGE ±2%
FORCE ±10%
TORQUE ±10%
SPEED ±10%
TIME ±1%
TEMPERATURE ±3°C ±3°F

UNLESS OTHERWISE SPECIFIED
DIMENSIONS IN INCHES

TWO PLACE DEC. ±.02
THREE PLACE DEC. ±.003
ANGLES ±1/2°
ONE PLACE INCH ±0.5
TWO PLACE INCH ±0.13
VOLTAGE ±5%
RESISTANCE ±10%
AMPEREAGE ±2%
FORCE ±10%
TORQUE ±10%
SPEED ±10%
TIME ±1%
TEMPERATURE ±3°C ±3°F

DATE 1-17-89
DATE
DATE

APPD. AGUETTI
APPD. MCGUFFIE
APPD. BUDOL

ENG. REF. 800A600, 1A33600
NEXT REF.

TOOL REF.

THE INFORMATION ON THIS DRAWING IS THE PROPERTY OF EATON CORPORATION. IT IS DISCLOSED IN CONFIDENCE AND IS NOT TO BE REPRODUCED, USED OR DISCLOSED EXCEPT FOR THE PURPOSE FOR WHICH FURNISHED.

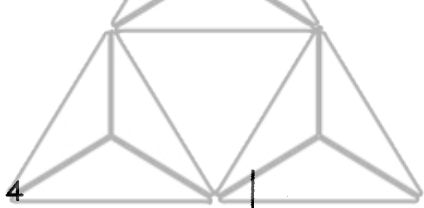
EATON

CUTLER-HAMMER
TECHNOLOGY AND QUALITY CENTER PITTSBURGH, PA.

TITLE DS CIRCUIT BREAKER AUXILIARY SWITCH 2

SIZE **B** CAD DIRECTORY MANAGED BY CMS
DWG. NO. 508B508

SCALE 1=1 PARTS LIST 508B508 PRODUCT CODE 666X SHEET NO. 11 of 23



IPS

DWG. NO.	508B508	SHEET	12	REV.	9
----------	---------	-------	----	------	---

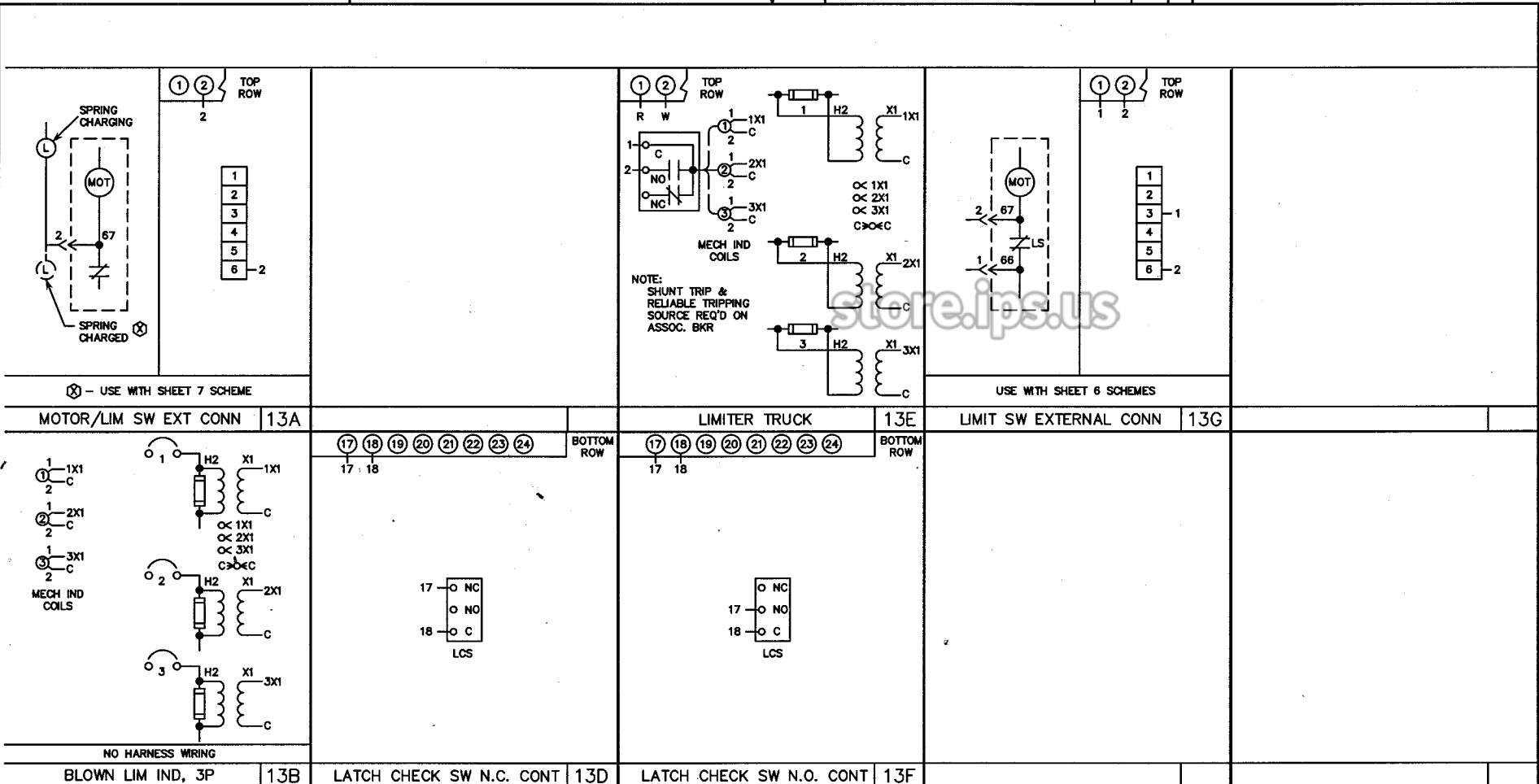
1

store.ips.us

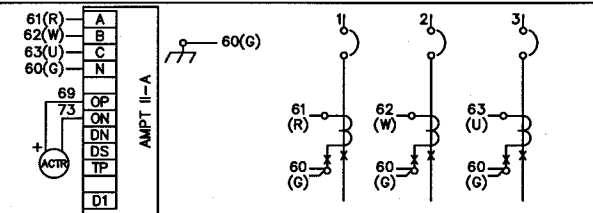
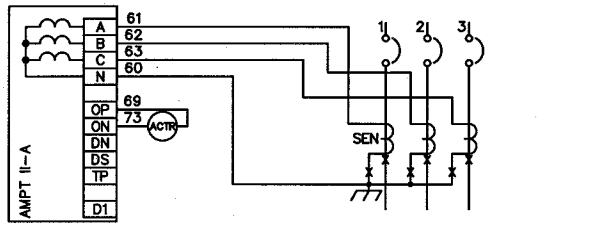
BLANK

1	2	3	4	5	6	7	8	9	UNLESS OTHERWISE SPECIFIED DIMENSIONS IN INCHES TWO PLACE DEC. ±.02 THREE PLACE DEC. ±.005 ANGLES ±1/2° ONE PLACE IN ±0.5 TWO PLACE IN ±0.13 VOLTAGE ±5% RESISTANCE ±10% AMPERAGE ±2% FORCE ±10% TORQUE ±10% SPEED ±10% TIME ±1% TEMPERATURE ±3°C ±5°F	DFAR AGLIETTI APPD. McGUFFIE APPD. BLUDOL ENG. REF. 800A600, 1A33600 NEXT REF. TOOL REF.	DATE 1-17-89 DATE DATE	THE INFORMATION ON THIS DRAWING IS THE PROPERTY OF EATON CORPORATION. IT IS DISCLOSED IN CONFIDENCE AND IS NOT TO BE REPRODUCED, USED OR DISCLOSED EXCEPT FOR THE PURPOSE FOR WHICH FURNISHED.		
REVISION RN-IB2620	TQ011789	TQ011090	TQ042790	TQ123190	TQ100592	TQ011294	TQ030794	TQ010496		* STATISTICAL SAMPLING DIMENSION	DSPEC.	SCALE 1=1	PARTS LIST 508B508	PRODUCT CODE 666X

CUTLER-HAMMER
 TECHNOLOGY AND QUALITY CENTER PITTSBURGH, PA.
 TITLE
DS CIRCUIT BREAKER
 SIZE **B** CAD DIRECTORY
 MANAGED BY CMS
 DWG. NO. **508B508**



BLOWN LIM IND, 3P		LATCH CHECK SW N.C. CONT		LATCH CHECK SW N.O. CONT		UNLESS OTHERWISE SPECIFIED		DATE 1-17-89		THE INFORMATION ON THIS DRAWING IS THE PROPERTY OF EATON CORPORATION. IT IS DISCLOSED IN CONFIDENCE AND IS NOT TO BE REPRODUCED, USED OR DISCLOSED EXCEPT FOR THE PURPOSE FOR WHICH FURNISHED.	
1	2	3	4	5	6	7	8	9	APPR. AGUETTI	DATE	CUTLER-HAMMER TECHNOLOGY AND QUALITY CENTER PITTSBURGH, PA. TITLE DS CIRCUIT BREAKER MISCELLANEOUS
REVISION RN-182620	TQ011789	TQ011090	TQ042790	TQ123190	TQ100592	TQ011294	TQ030794	TQ010496	APPR. MCGUFFIE	DATE	
ALL REV. NOTES LISTED ON SHEET 22 ALL OTHER SHEETS LIST REV. NO. ONLY							DIMENSIONS IN INCHES		DATE		ENG. REF. 800A600, 1A33600 NEXT REF. TOOL REF.
							TWO PLACE DEC. ±0.02 THREE PLACE DEC. ±0.005 ANGLES ±1/2° ONE PLACE MM ±0.5 TWO PLACE MM ±0.13 VOLTAGE ±3% RESISTANCE ±10% AMPERAGE ±2% FORCE ±10% TORQUE ±10% SPEED ±10% TIME ±1% TEMPERATURE ±3°C ±3°F		DSPEC.		



3-POLE AMPT II-A 14A

store.ips.us

1	2	3	4	5	6	7	8	9
REVISION RN-1B2620	TQ011789	TQ011090	TQ042790	TQ123190	TQ100592	TQ011294	TQ030794	TQ010496

ALL REV. NOTES LISTED ON SHEET 22 ALL OTHER SHEETS LIST REV. NO. ONLY

UNLESS OTHERWISE SPECIFIED
DIMENSIONS IN INCHES

TWO PLACE DEC. ±0.02
THREE PLACE DEC. ±0.005
ANGLES ±1/2°
ONE PLACE IN. ±0.5
TWO PLACE IN. ±0.13
VOLTAGE ±3%
RESISTANCE ±10%
AMPERE ±2%
FORCE ±10%
TORQUE ±10%
SPEED ±10%
TIME ±1%
TEMPERATURE ±3°C ±3°F

DATE 1-17-89
DATE

DFBR
AGLIETTI
APPD.
MCGUFFIE
APPD.
BUBOL
DATE

ENG. REF.
800A600, 1A33600
NEXT REF.

TOOL REF.

DSPEC.

* STATISTICAL SAMPLING DIMENSION

THE INFORMATION ON THIS DRAWING IS THE PROPERTY OF EATON CORPORATION. IT IS DISCLOSED IN CONFIDENCE AND IS NOT TO BE REPRODUCED, USED OR DISCLOSED EXCEPT FOR THE PURPOSE FOR WHICH FURNISHED.

EATON

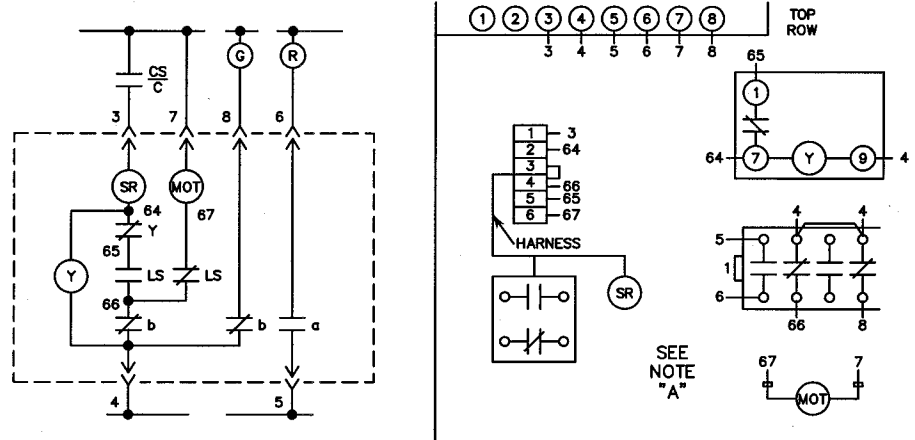
CUTLER-HAMMER
TECHNOLOGY AND QUALITY CENTER PITTSBURGH, PA.

TITLE
DS CIRCUIT BREAKER
SERIES TRIP AMPECTOR
11A, 3P

SIZE **B** CAD DIRECTORY
MANAGED BY CMS

DWG. NO. **508B508**

SCALE 1=1 PARTS LIST 508B508 PRODUCT CODE 666X SHEET NO. 14 of 23



NOTE "A" SHUNT TRIP IS WIRED PER FIGURE 3B

store.ips.us

PWR OPR MECH W/O SHUNT TRIP 15A

OMIT ONE OF ITEM 9 OR 20 DWG. 8295A08
 SEE FIGURE 2B, 2C, OR 2D
 OMIT STD. SENSOR FRAME
 GND, CONN.- ONE OF ITEM 9 OR 20
 OF DWG. 8295A08
 SEE FIGURE 2B, 2C, OR 2D.

15A

15E

1	2	3	4	5	6	7	8	9
REVISION RN-1B2620	TQ011789	TQ011090	TQ042790	TQ123190	TQ100592	TQ011294	TQ030794	TQ010496

ALL REV. NOTES LISTED ON SHEET 22 ALL OTHER SHEETS LIST REV. NO. ONLY

UNLESS OTHERWISE SPECIFIED
 DIMENSIONS IN INCHES
 TWO PLACE DEC. ±.02
 THREE PLACE DEC. ±.005
 ANGLES ±1/2°
 ONE PLACE IN ±0.5
 TWO PLACE IN ±0.15
 VOLTAGE ±5%
 RESISTANCE ±10%
 AMPERAGE ±2%
 FORCE ±10%
 TORQUE ±10%
 SPEED ±10%
 TIME ±5%
 TEMPERATURE ±3°C ±1°F

THE INFORMATION ON THIS DRAWING IS THE PROPERTY OF EATON CORPORATION. IT IS DISCLOSED IN CONFIDENCE AND IS NOT TO BE REPRODUCED, USED OR DISCLOSED EXCEPT FOR THE PURPOSE FOR WHICH FURNISHED.

EATON

CUTLER-HAMMER
 TECHNOLOGY AND QUALITY CENTER PITTSBURGH, PA.

TITLE: DS CIRCUIT BREAKER SPECIAL

SIZE: B
 CAD DIRECTORY: MANAGED BY CMS
 DWG. NO.: 508B508

SCALE: 1=1
 PARTS LIST: 508B508
 PRODUCT CODE: 666X
 SHEET NO.: 15 of 23

4

3

UTW. PPO.

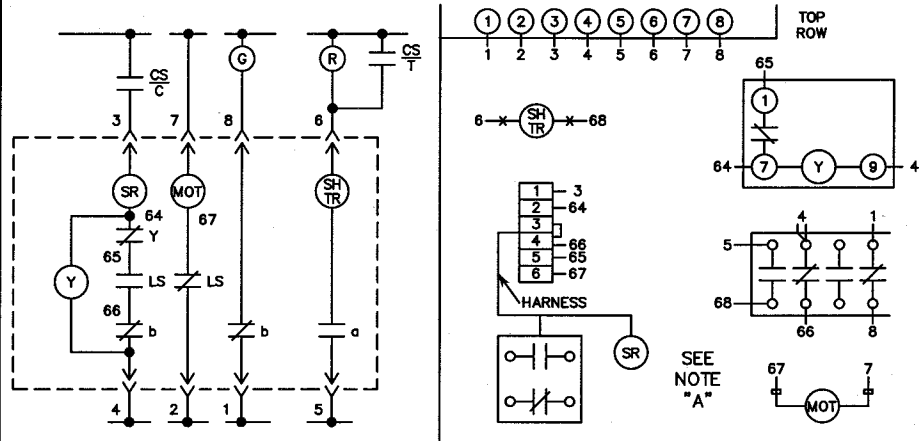
508B508

SHEET 16 REV. 9

1

B

B



store.ips.us

PWR OPR MECH W/MOT ON SEP CONN
CAUTION: USE ONLY 120 VAC MOTOR WITH 48 VDC SR COIL

16A

NOTE "A" SHUNT TRIP IS WIRED PER FIGURE 3B

A

A

1	2	3	4	5	6	7	8	9
REVISION RN-1B2620	TQ011789	TQ011090	TQ042790	TQ123190	TQ100592	TQ011294	TQ030794	TQ010496

UNLESS OTHERWISE SPECIFIED

DIMENSIONS IN INCHES

TWO PLACE DEC. ±.02
THREE PLACE DEC. ±.005
ANGLES ±1/2°
ONE PLACE INCH ±.05
TWO PLACE INCH ±.013
VOLTAGE ±5%
RESISTANCE ±10%
AMPERAGE ±2%
FORCE ±10%
TORQUE ±10%
SPEED ±10%
TIME ±1%
TEMPERATURE ±3°C ±9°F

ALL REV. NOTES LISTED ON SHEET 22 ALL OTHER SHEETS LIST REV. NO. ONLY

STATISTICAL SAMPLING DIMENSION

DATE 1-17-89

APPD. AGUETTI

APPD. MCGUFFIE

APPD. DATE

ENG. REF. 800A600, 1A33600

NEXT REF.

TOOL REF.

DSPEC.

THE INFORMATION ON THIS DRAWING IS THE PROPERTY OF EATON CORPORATION. IT IS DISCLOSED IN CONFIDENCE AND IS NOT TO BE REPRODUCED, USED OR DISCLOSED EXCEPT FOR THE PURPOSE FOR WHICH FURNISHED.

EATON

CUTLER-HAMMER
TECHNOLOGY AND QUALITY CENTER PITTSBURGH, PA.

TITLE DS CIRCUIT BREAKER SPECIAL

SIZE B CAD DIRECTORY MANAGED BY CMS

DWG. NO. 508B508

SCALE 1=1 PARTS LIST 508B508 PRODUCT CODE 666X SHEET NO. 16 OF 23

4

3

DWG. NO.

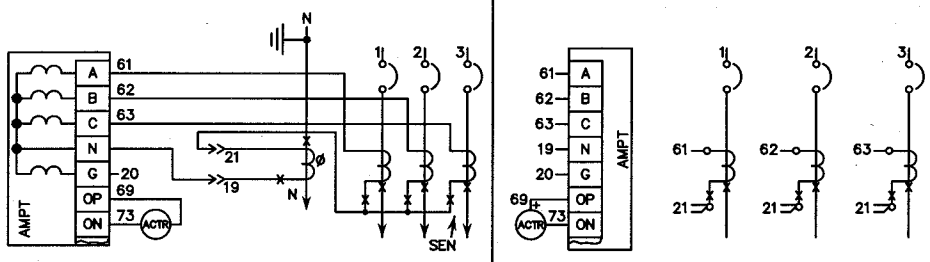
508B508

SHEET 17

REV. 9

1

17 18 19 20 21 22 23 24
19 20 21
BOTTOM ROW



Ø-NEUT SEN NOT SUP W/BKR. DO NOT GRD

store.ips.us

SERIES TRIP WITH GROUND WITH NEUT CONN

17A

1	2	3	4	5	6	7	8	9
REVISION	TQ011789	TQ011090	TQ042790	TQ123190	TQ100592	TQ011294	TQ030794	TQ010496
RN-IB2620								

ALL REV. NOTES LISTED ON SHEET 22 ALL OTHER SHEETS LIST REV. NO. ONLY

UNLESS OTHERWISE SPECIFIED	DFTL. AGUETHI	DATE 1-17-89
DIMENSIONS IN INCHES	APPD. MCGUFFIE	DATE
TWO PLACE DEC. ±.02	APPD. BUBOL	DATE
THREE PLACE DEC. ±.005	ENG. REF. 800A600, 1A33600	
ANGLES ±1/2°	NEXT REF.	
ONE PLACE ±0.5	TOOL REF.	
TWO PLACE ±0.13	DSPEC.	
VOLTAGE ±5%		
RESISTANCE ±10%		
TEMPERATURE ±10%		
FORCE ±10%		
TORQUE ±10%		
SPEED ±10%		
TIME ±1%		
TEMPERATURE ±3°C ±5%		
* STATISTICAL SAMPLING DIMENSION		

THE INFORMATION ON THIS DRAWING IS THE PROPERTY OF EATON CORPORATION. IT IS DISCLOSED IN CONFIDENCE AND IS NOT TO BE REPRODUCED, USED OR DISCLOSED EXCEPT FOR THE PURPOSE FOR WHICH FURNISHED.		
EATON		
CUTLER-HAMMER TECHNOLOGY AND QUALITY CENTER PITTSBURGH, PA.		
TITLE DS CIRCUIT BREAKER OEM SPECIAL		
SIZE B	CAD DIRECTORY MANAGED BY CMS	DWG. NO. 508B508
SCALE 1=1	PARTS LIST 508B508	PRODUCT CODE 666X
		SHEET NO. 17 OF 23

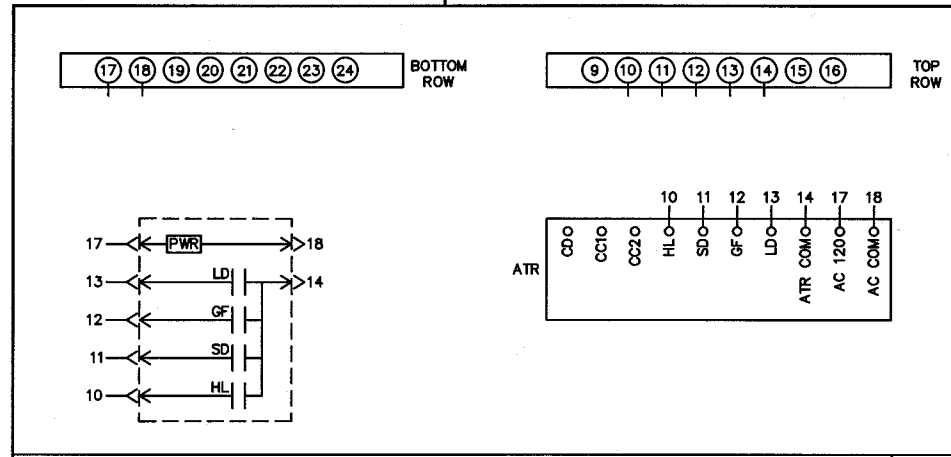


3

DWG. NO. 508B508 SHEET 18 REV. 9

1

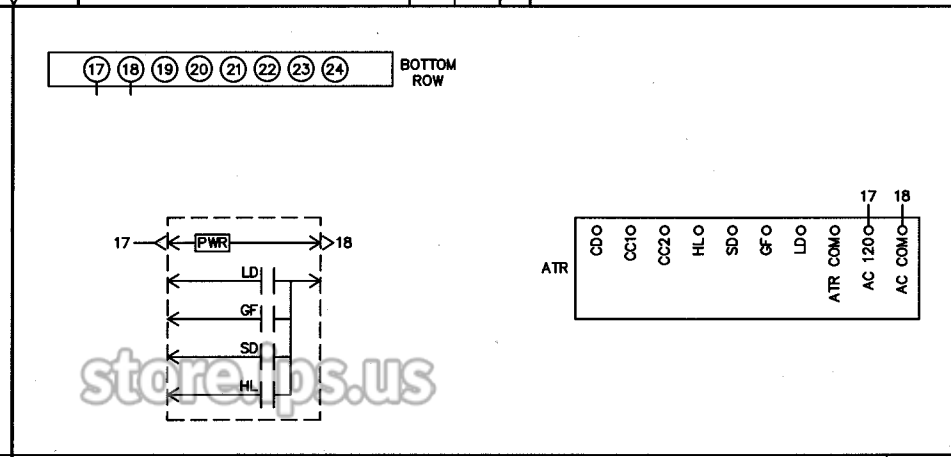
B



DIGITRIP 600, 700, 800

18A

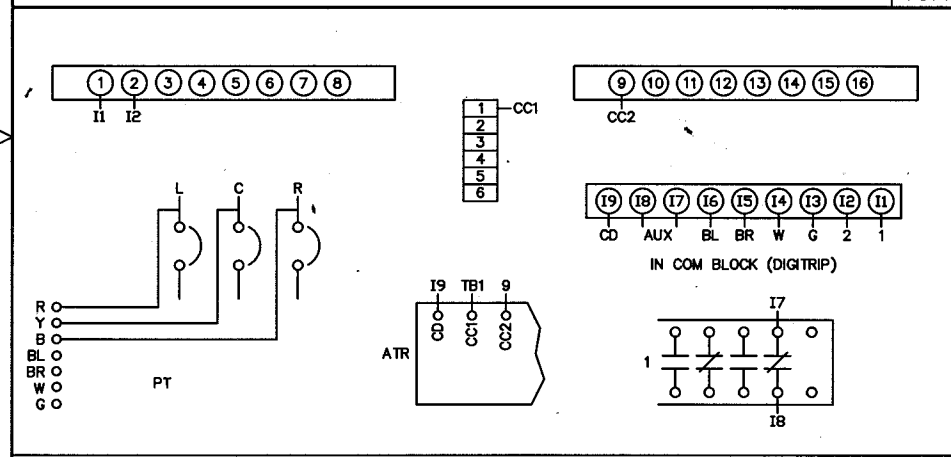
store.ips.us



DIGITRIP 600, 700, 800 (POWER SUPPLY ONLY)

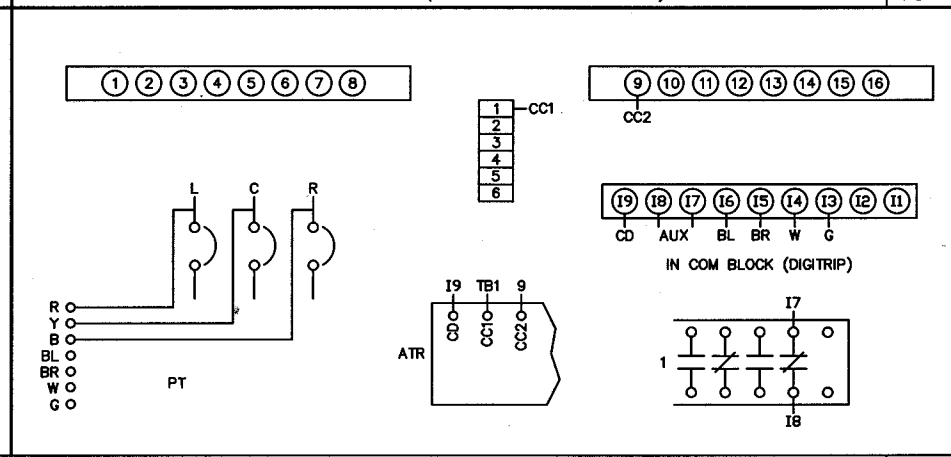
18C

A



DIGITRIP 700 & 800

18B



DIGITRIP 700 & 800

18D

1	2	3	4	5	6	7	8	9
REVISION RN-182620	TQ011789	TQ011090	TQ042790	TQ123190	TQ100592	TQ011294	TQ030794	TQ010496

ALL REV. NOTES LISTED ON SHEET #2 ALL OTHER SHEETS LIST REV. NO. ONLY

UNLESS OTHERWISE SPECIFIED DIMENSIONS IN INCHES TWO PLACE DEC. THREE PLACE DEC. ANGLES ONE PLACE IN. TWO PLACE IN. VOLTAGE RESISTANCE AMPERAGE FORCE/ TORQUE SPEED TEMPERATURE	±.02 ±.005 ±1/2° ±0.5 ±0.13 ±.05 ±10% ±2% ±10% ±10% ±3%	DATE 1-17-89
		DATE
		DATE
		DATE
DFRR AGLIETTI	APPD. MCGUFFIE	DATE
APPD. MCGUFFIE	APPD. BUBOL	DATE
ENG. REF. 800A600, 1A33600	NEXT REF.	TOOL REF.
*STATISTICAL SAMPLING DIMENSION	DSPEC.	

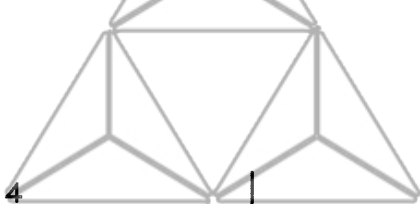
THE INFORMATION ON THIS DRAWING IS THE PROPERTY OF EATON CORPORATION. IT IS DISCLOSED IN CONFIDENCE AND IS NOT TO BE REPRODUCED, USED OR DISCLOSED EXCEPT FOR THE PURPOSE FOR WHICH FURNISHED.			
EATON			
CUTLER-HAMMER TECHNOLOGY AND QUALITY CENTER PITTSBURGH, PA.			
TITLE DS CIRCUIT BREAKER RMS DIGITRIP			
SIZE B	CAD DIRECTORY MANAGED BY CMS	DWG. NO. 508B508	
SCALE 1=1	PARTS LIST 508B508	PRODUCT CODE 666X	SHEET NO. 18 of 23

4

3

2

1



3

DWG. NO.

508B508

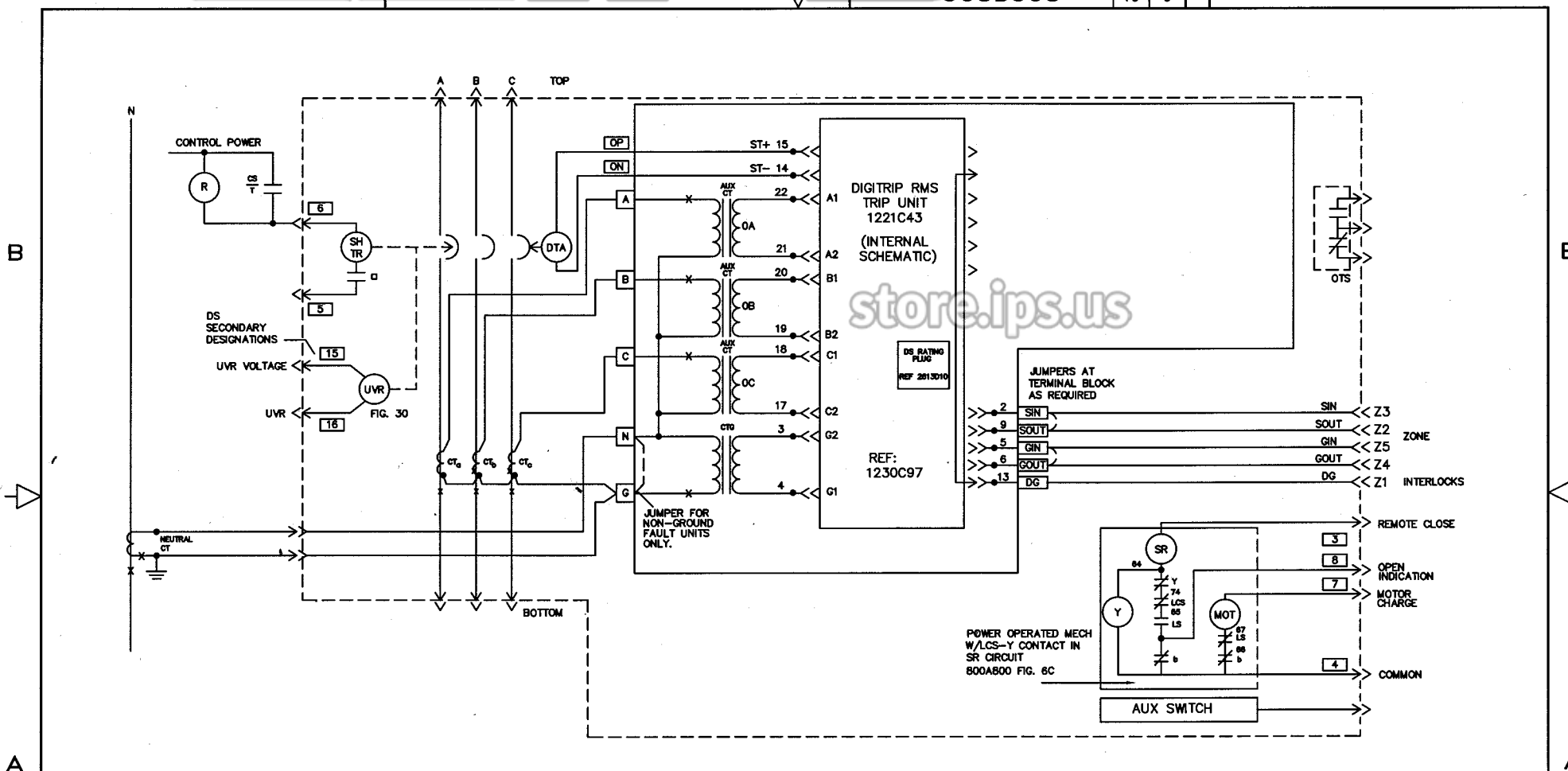
SHEET

19

REV.

9

1



1	2	3	4	5	6	7	8	9
REVISION RN-1B2620	TQ011789	TQ011090	TQ042790	TQ123190	TQ100592	TQ011294	TQ030794	TQ010496

UNLESS OTHERWISE SPECIFIED
DIMENSIONS IN INCHES
TWO PLACE DEC. ±.02
THREE PLACE DEC. ±.005
ANGLES ±1/2
ONE PLACE DEC. ±0.5
TWO PLACE DEC. ±0.13
VOLTAGE ±2%
RESISTANCE ±10%
AMPERAGE ±2%
FORCE ±10%
TORQUE ±10%
SPEED ±5%
TEMPERATURE ±3°C ±5°F

ALL REV. NOTES LISTED ON SHEET 22 ALL OTHER SHEETS LIST REV. NO. ONLY

DATE 1-17-89
APPD. AGUETTI
McGUFFIE
DATE
APPD. BURDL
DATE
ENG. REF. 800A600, 1A33600
NEXT REF.
TOOL REF.

THE INFORMATION ON THIS DRAWING IS THE PROPERTY OF EATON CORPORATION. IT IS DISCLOSED IN CONFIDENCE AND IS NOT TO BE REPRODUCED, USED OR DISCLOSED EXCEPT FOR THE PURPOSE FOR WHICH FURNISHED.

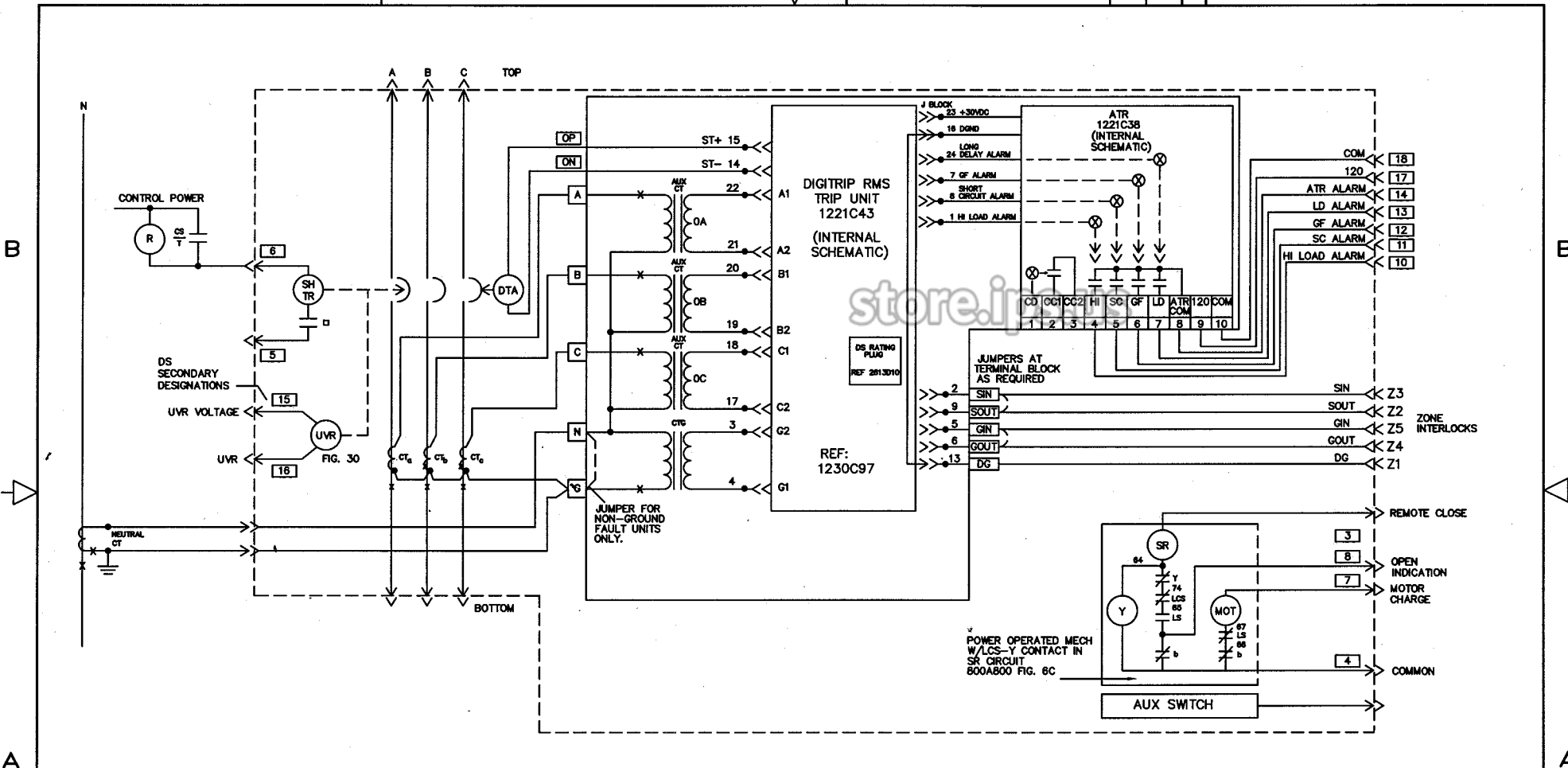
EATON

CUTLER-HAMMER
TECHNOLOGY AND QUALITY CENTER PITTSBURGH, PA.

TITLE
DS CIRCUIT BREAKER
SCHEMATIC DIGITRIP T500

SIZE B
CAD DIRECTORY MANAGED BY CMS
DWG. NO. 508B508

SCALE 1=1
PARTS LIST 508B508
PRODUCT CODE 666X
SHEET NO. 19 of 23



1	2	3	4	5	6	7	8	9
REVISION	TQ011789	TQ011090	TQ042790	TQ123190	TQ100592	TQ011294	TQ030794	TQ010496
RN-1B2620								

UNLESS OTHERWISE SPECIFIED
DIMENSIONS IN INCHES

TWO PLACE DEC.	±.02
THREE PLACE DEC.	±.005
ANGLES	±1/2°
ONE PLACE IN.	±0.5
TWO PLACE IN.	±0.13
VOLTAGE	±5%
RESISTANCE	±10%
AMPERAGE	±2%
FORCE	±10%
TORQUE	±10%
SPEED	±10%
TIME	±1%
TEMPERATURE	±3°C ±5°F

ALL REV. NOTES LISTED ON SHEET 22, ALL OTHER SHEETS LIST REV. NO. ONLY

DATE 1-17-89
APPD. McGUFFIE
DATE
APPD. BLUDOL
DATE
ENG. REF. 800A600, 1A33600
NEXT REF.
TOOL REF.
DSPEC.

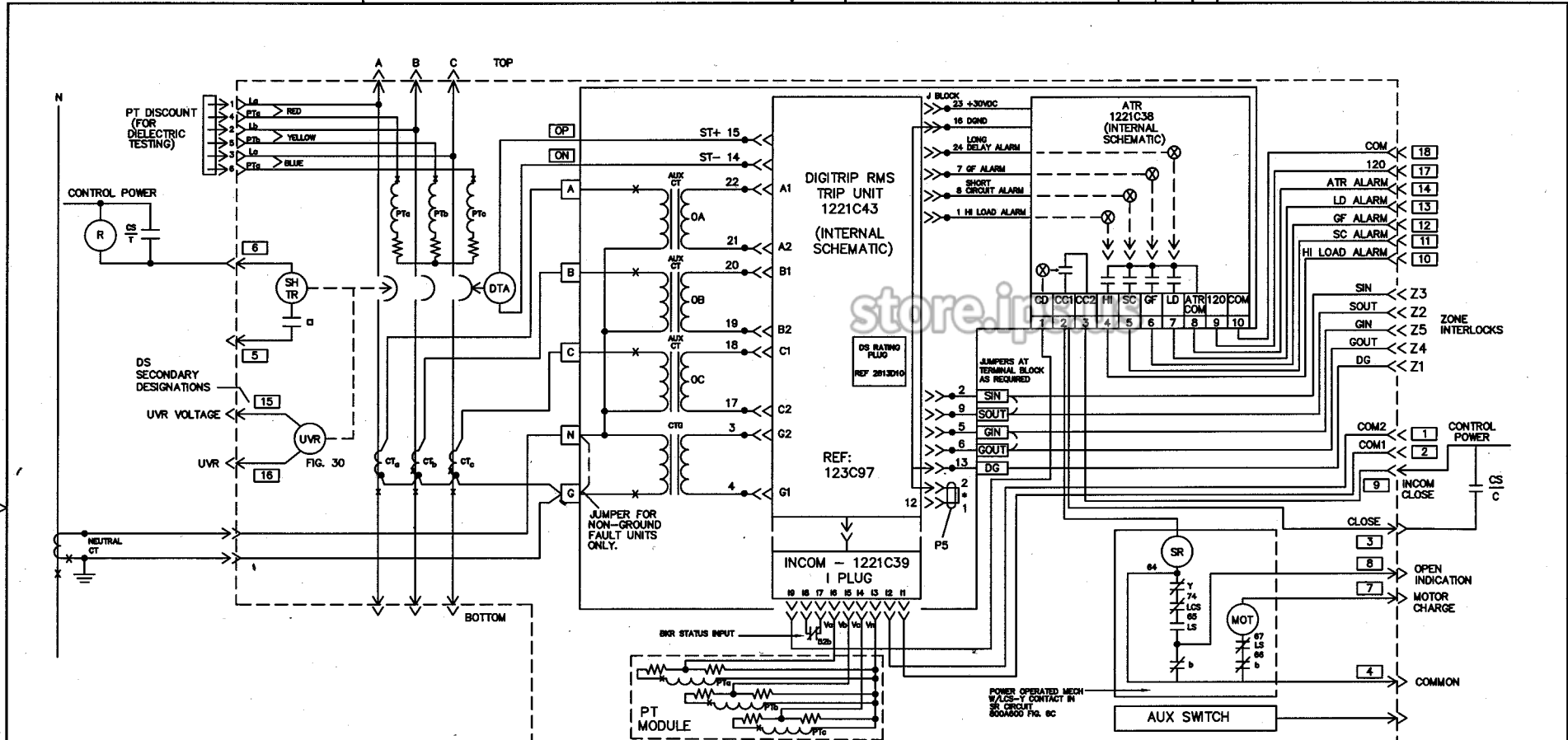
THE INFORMATION ON THIS DRAWING IS THE PROPERTY OF EATON CORPORATION. IT IS DISCLOSED IN CONFIDENCE AND IS NOT TO BE REPRODUCED, USED OR DISCLOSED EXCEPT FOR THE PURPOSE FOR WHICH FURNISHED.

EATON

CUTLER-HAMMER
TECHNOLOGY AND QUALITY CENTER PITTSBURGH, PA.

TITLE
DS CIRCUIT BREAKER SCHEMATIC DIGITRIP T600

SIZE B
CAD DIRECTORY MANAGED BY CMS
DWG. NO. 508B508
SCALE 1=1
PARTS LIST 508B508
PRODUCT CODE 666X
SHEET NO. 20 of 23



* JUMPER PLUG AVAILABLE TO DEFEAT "NPOW" MESSAGE ON REVERSE FED BREAKERS

1	2	3	4	5	6	7	8	9
REVISION RN-182620	TQ011789	TQ011090	TQ042790	TQ123190	TQ100592	TQ011294	TQ030794	TQ010496

UNLESS OTHERWISE SPECIFIED
DIMENSIONS IN INCHES

TWO PLACE DEC. ±0.02
THREE PLACE DEC. ±0.005
ANGLES ±1/2°
ONE PLACE DEC. ±0.5
TWO PLACE DEC. ±0.15
VOLTAGE ±2%
RESISTANCE ±10%
AMPERAGE ±2%
FORCE ±10%
TORQUE ±10%
SPEED ±1%
TEMPERATURE ±3°C ±5°F

ALL REV. NOTES LISTED ON SHEET 22 ALL OTHER SHEETS LIST REV. NO. ONLY

* STATISTICAL SAMPLING DIMENSION

DATE 1-17-89
DATE

APPD. AGLIETTI
APPD. MCGUFFIE

APPD. BLUDOL

ENG. REF. 800A600, 1A33600
NEXT REF.

TOOL REF.

DSPEC.

THE INFORMATION ON THIS DRAWING IS THE PROPERTY OF EATON CORPORATION. IT IS DISCLOSED IN CONFIDENCE AND IS NOT TO BE REPRODUCED, USED OR DISCLOSED EXCEPT FOR THE PURPOSE FOR WHICH FURNISHED.

EATON

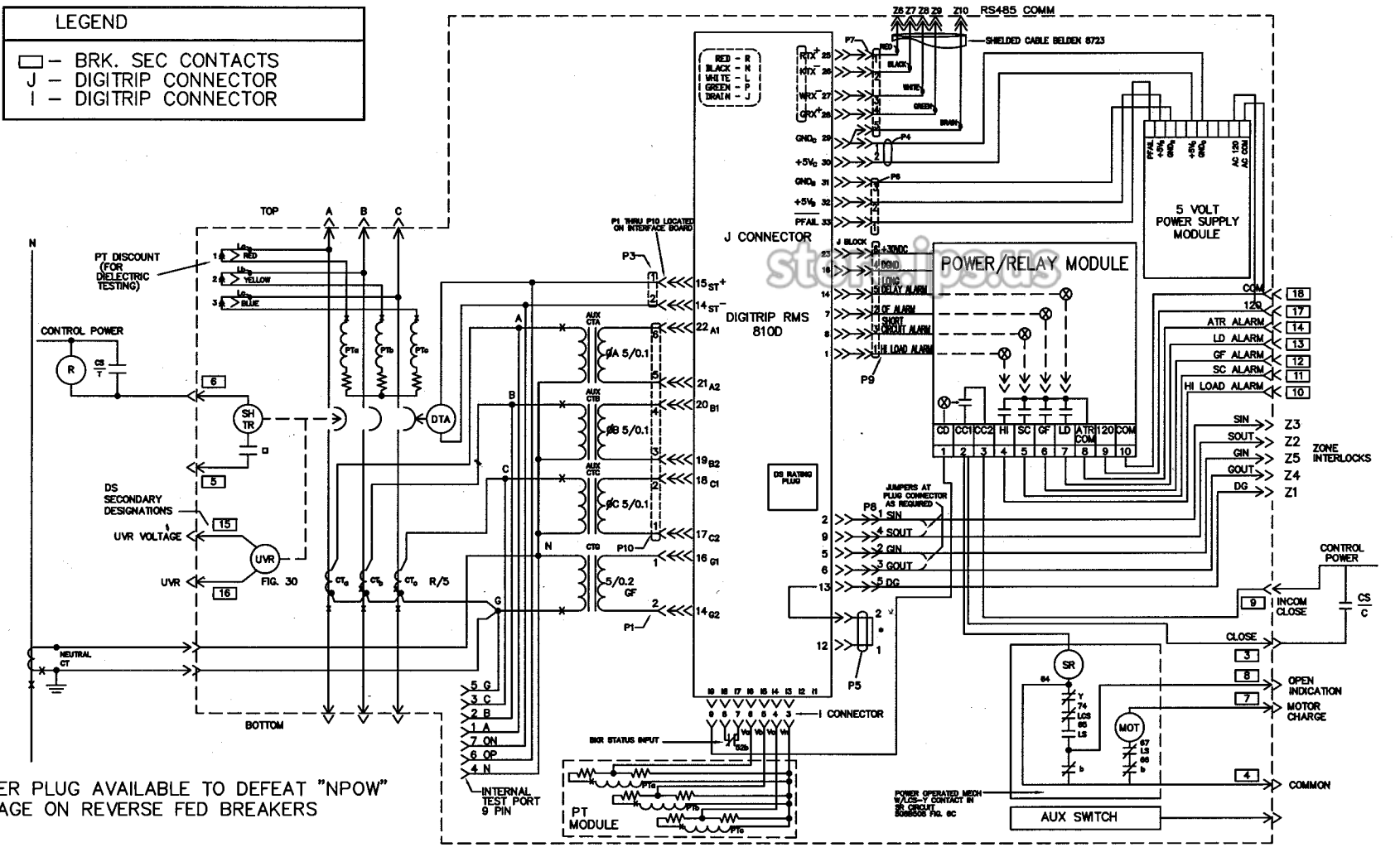
CUTLER-HAMMER
TECHNOLOGY AND QUALITY CENTER PITTSBURGH, PA.

TITLE
DS CIRCUIT BREAKER
SCHEMATIC T700 & T800

SIZE B CAD DIRECTORY MANAGED BY CMS
DWG. NO. 508B508
SCALE 1=1 PARTS LIST 508B508 PRODUCT CODE 666X SHEET NO. 21 of 23

LEGEND

□ - BRK. SEC CONTACTS
 J - DIGITRIP CONNECTOR
 I - DIGITRIP CONNECTOR



* JUMPER PLUG AVAILABLE TO DEFEAT "NPOW" MESSAGE ON REVERSE FED BREAKERS

7	TQ011294	8	TQ030794	9	TQ010496	TITLE	SCHEMATIC DIGITRIP RMS 810D DS BKR	DWG. NO.	508B508	22A
4				3				SHEET No.	22 OF 23 SHEETS	666X

IT.	REVISION	IT.	REVISION	IT.	REVISION
	1 REVISION RN-IB2620				
4	2 RNIB646 OLD FILM NO. WAS TQ090188 SH.11 FIG.11G a3 & b3 WERE a2 & b2,DEV-AUX SW 2 WIRE 21,22,23,24 RELOCATED AGLIETTI 12/3/88 MCGUFFIE 12/5/88 BUDOL 12/5/88	7	RN-IB1830 DWG WAS 22 SHEETS FIG. 22A WAS NOT ON S. SHINDLEDECKER 10-14-93 A. MCGUFFIE S. BUDOL		
	3 RNIB674 FIG. 10,15,16 & 18 WERE UPDATED E&ISD 1-3-90 B. AGLIETTI	8	RN-IB1893 ACAD DIRECTORY WAS NOT ON ALL SHEETS FIG. 18D WAS NOT ON S. SHINDLEDECKER 3-2-94 A. MCGUFFIE S. BUDOL		
	4 RNIB889 SH. 19, 20, 21 WERE BLANK SH. 1-7-18 WERE UPDATED E&ISD 4-3-90 B. AGLIETTI	9	RN-IB2620 CONVERT TO AWM OLD FILM NO. WAS TQ030794 FIG. 6A,6B,6C,7A, 7B,15A AND 16A SHUNT TRIP PER FIG. 3B ADDED		
	5 RN-IB988 SH. 4 4D CHANGED 4M & N WERE NOT ON D. PALMIERI 11-14-90				
3	6 RN-IB1413 RN-IB1419 SH. 4 TITLE WAS WHEN AMP TRIPS BREAKER SH. 18 FIG. 18C WAS NOT ON TAD 9-22-92 A. MCGUFFIE S. BUDOL				
UNLESS OTHERWISE SPECIFIED DIMENSIONS IN INCHES					
* STATISTICAL SAMPLING					
NO. PLACE DES. 3:02		DATE 1-17-89			
DIMENSIONS OVER DES. 3:02		DATE			
ONE PLACE DES. 3:02		DATE			
TWO PLACE DES. 3:02		DATE			
THREE PLACE DES. 3:02		DATE			
FOUR PLACE DES. 3:02		DATE			
FIVE PLACE DES. 3:02		DATE			
SIX PLACE DES. 3:02		DATE			
SEVEN PLACE DES. 3:02		DATE			
EIGHT PLACE DES. 3:02		DATE			
NINE PLACE DES. 3:02		DATE			
TEN PLACE DES. 3:02		DATE			
ELEVEN PLACE DES. 3:02		DATE			
TWELVE PLACE DES. 3:02		DATE			
THIRTEEN PLACE DES. 3:02		DATE			
FOURTEEN PLACE DES. 3:02		DATE			
FIFTEEN PLACE DES. 3:02		DATE			
SIXTEEN PLACE DES. 3:02		DATE			
SEVENTEEN PLACE DES. 3:02		DATE			
EIGHTEEN PLACE DES. 3:02		DATE			
NINETEEN PLACE DES. 3:02		DATE			
TWENTY PLACE DES. 3:02		DATE			
DIPTR. AGLIETTI		DATE			
APPRO. AGLIETTI		DATE			
MAGLIFTE		DATE			
BUDOL		DATE			
ENG. REF. 800A600, 1A33600		DATE			
NEXT REF.		DATE			
TOOL REF.		DATE			
DISPEC.		DATE			
SCALE 1=1		DATE			
PARTS LIST 508B508		DATE			
DWG. NO. 508B508		DATE			
PRODUCT CODE 666X		DATE			
SHEET NO. 23		DATE			
SHEET NO. 23		DATE			
SHEET NO. 23		DATE			



Courtesy of store.ips.us