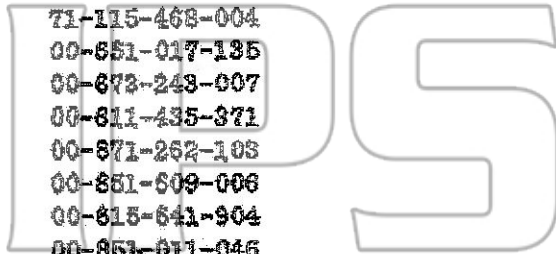


# TYPE LA-A MODELS

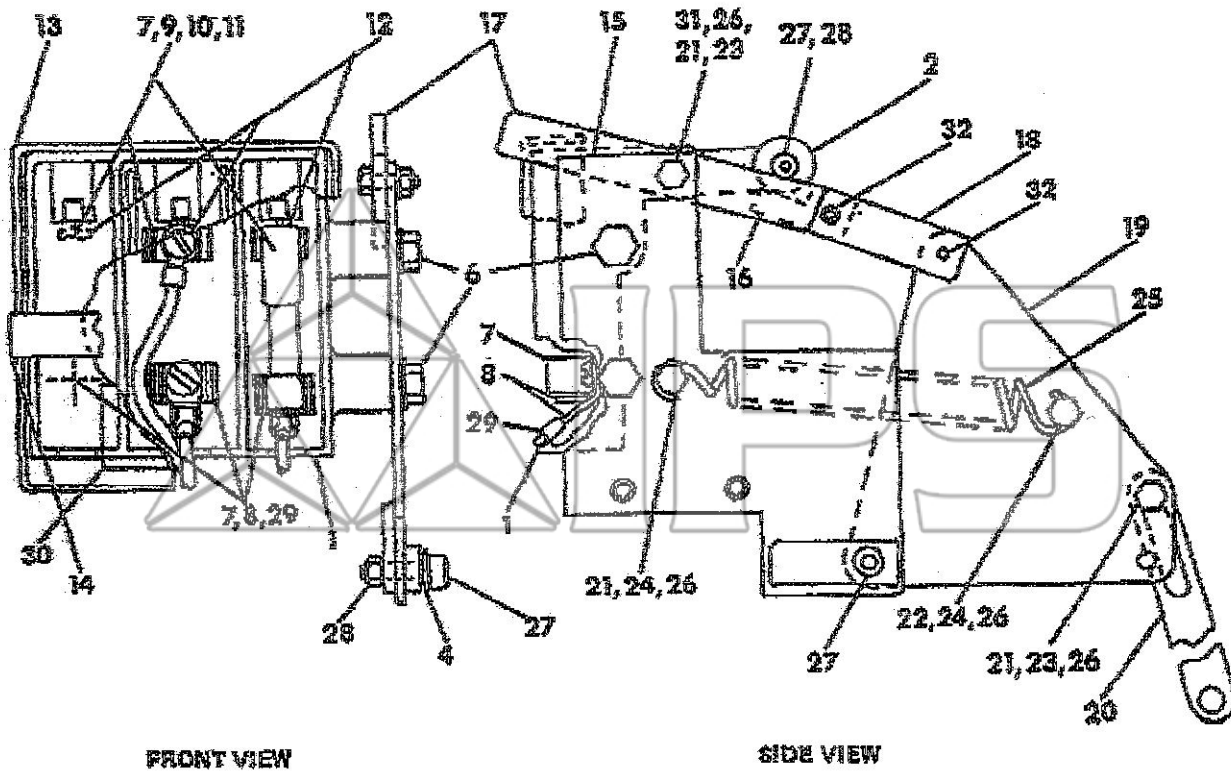
## ANTI-SINGLE PHASE DEVICE, TRIGGER FUSE ASSEMBLY

The following items refer to figure 16, and apply to both the LA-600AF -- LA-800AF and the LA-1600AF Circuit Breakers.

ITEM	DESCRIPTION	PART NUMBER	USAGE
1	Housing	71-240-600-001	
2	Lever	71-142-185-001	
3	TF Pin	71-115-468-004	
4	Washer	00-651-017-135	
5	Retainer	00-673-243-007	
6	Screw	00-611-435-371	
7	Clip	00-671-262-103	
8	Faston Tab	00-851-609-006	
9	Screw	00-613-641-904	
10	Terminal	00-851-611-045	
11	Wire #12	00-557-863-363	
12	Trigger Fuse	72-140-317-001	
13	Cover	71-240-599-001	
14	Clip	71-142-192-001	
15	TF Base	18-725-948-501	
16	TF Trip Link	18-657-800-328	
17	TF Toggle one	18-657-800-127	
18	TF Toggle two	18-657-800-128	
19	TF Plate	18-657-800-129	
20	TF Link	18-657-800-130	
21	Perma-nut	15-171-035-001	
22	Perma-nut	15-171-035-002	
23	Screw	15-171-399-025	
24	Screw	15-171-399-019	
25	Spring	71-113-503-001	
26	Nut	00-633-089-210	
27	Screw	00-617-349-248	
28	Nut	00-633-057-110	
29	Faston Terminal	00-851-470-904	
30	Label	15-171-186-001	
31	Washer	00-651-017-903	
32	Rollpin	00-671-177-185	



store.ips.us



store.ips.us

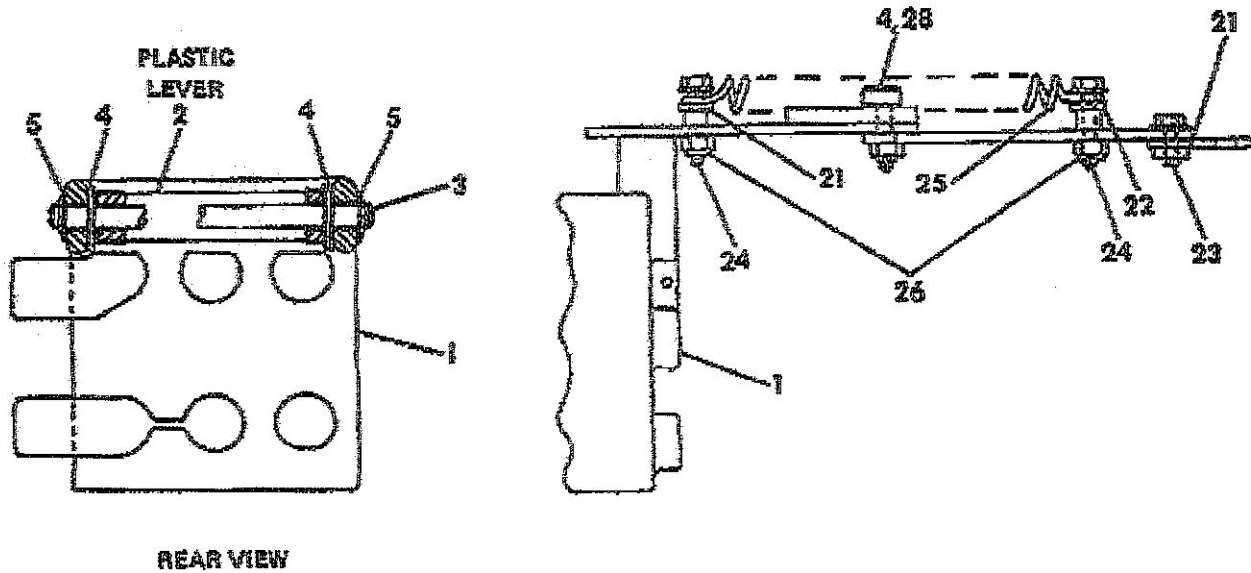


Figure 15. LA-600AF/800AF/1600AF Anti-single Phase Device, Trigger Fuse Assembly