

SIEMENS-ALLIS



Switchgear

RENEWAL PARTS ORDER GUIDE

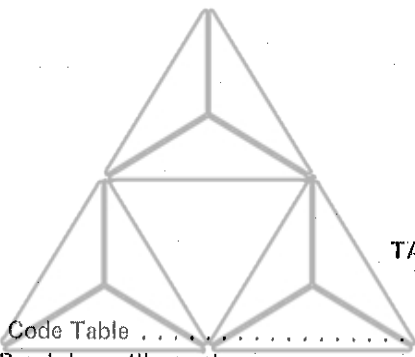
store.ips.us

SUPPLEMENT TO 18X10066
AND 18X10224

**TYPE FC-750B 15 kV, 1200 and 2000 AMP
AIR MAGNETIC CIRCUIT BREAKER
WITH
STORED ENERGY OPERATOR TYPE 515-2**

18X10225
January, 1978

This publication is intended as a supplement to T8X10224 (FB-600A1 and FC-500B breakers) and T8X10066. Instructions for the FC-750B are essentially the same with exceptions noted in this supplement. Pages are referenced in the primary instruction book for convenience of locating full part details on a given table.



IPS

TABLE OF CONTENTS

	Page
Usage Code Table	1
Parts Breakdown Illustration	1
Arc Chute (Illustration & Parts List)	1

store.ips.us

INTRODUCTION

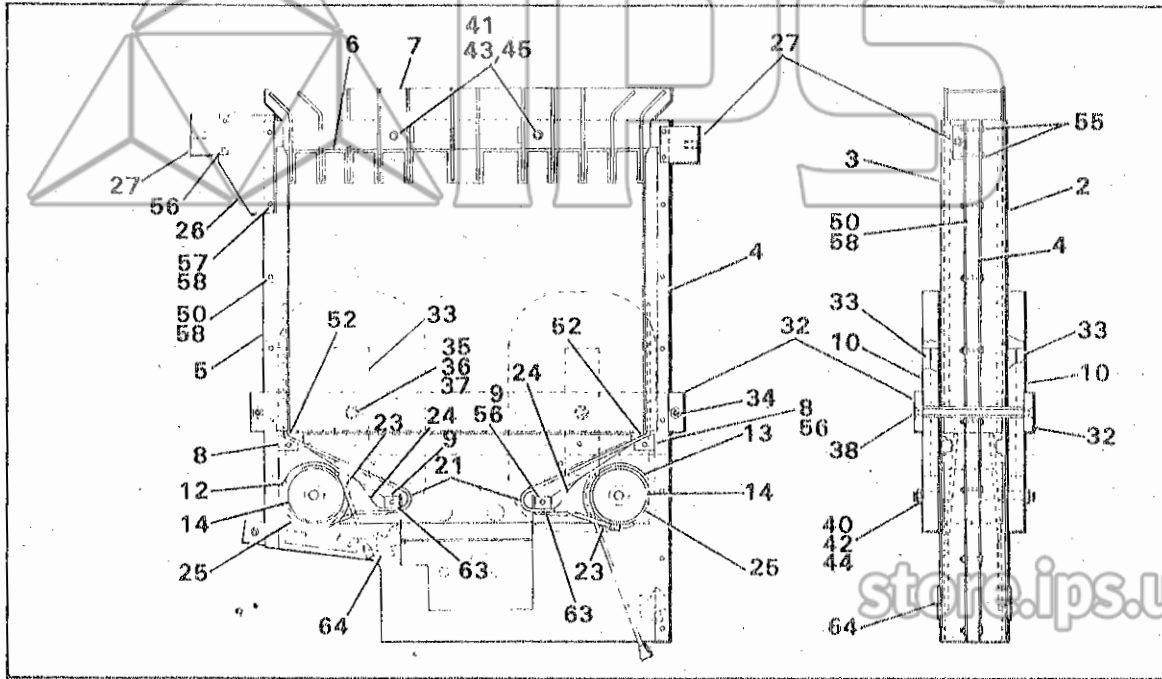
This parts renewal manual contains parts ordering information for the Type FC-750B 15KV stored energy circuit breaker.

USAGE CODE TABLE (Ref. inside front cover)

Add:	FC-750B	1200 AMP	Stored Energy	18-473-236-601	E
	FC-750B	1200/2000 AMP	Stored Energy	18-473-236-602	F
	FC-750B	2000 AMP	Stored Energy	18-473-236-603	G

PARTS BREAKDOWN ILLUSTRATION (Ref. page 3)

Illustration in lower right corner for the FB-500A1 is the same for the FC-750B.



FC-750B Arc Chute
18-471-243-518

ITEM	DESCRIPTION	PART NUMBER	ITEM	DESCRIPTION	PART NUMBER
2	Channel Assy. -- R.H.	18-397-371 502	35	Fl. Hd. Scr., .31 x 1.5	00-615-331 426
3	Channel Assy. -- L.H.	18-397-371 501	36	.312 Rd. Wshr.	00-651-007 900
4	Spacer	71-209-188 003	37	Stover Locknut, .31	15-171-063 006
5	Spacer	71-209-188 002	38	Fl. Hd. Scr., .31 x 1.0	00-615-331 422
6	Barrier Stack	18-396-643 505	40	Stud Assy.	18-657-813 508
7	Barrier Assy.	18-728-500 588	41	.25-20 x 4.5 Hex Hd. Cap Scr.	00-611-315 400
8	Block	71-115-643 001	42	.38-16 Stover Nut	15-171-063 011
9	Block	71-112-993 002	43	.25-20 Stover Nut	15-171-063 004
10	Pole Piece	18-730-882 001	44	.38 Rd. Washer	00-651-007 230
11	Tape .006 x .75 3M #27	00-455-081 006	45	Washer	71-112-773 001
12	Coil (Rear)	71-208-896 501	49	.25 Lockwasher	00-655-017 026
13	Coil (Front)	71-208-896 502	50	#10-32 x 1.5 Pan Hd. Mach. Scr.	00-615-662 229
14	Core	18-730-618 501	52	#10-16 x .62 Fl. Hd. Sif. Tap Scr.	00-615-413 220
21	Arc Runner Assy.	18-393-215 501	55	#10-16 x 1.62 Self Tap Scr.	00-615-644 230
23	Spacer	18-657-824 130	56	#10-16 x .50 Self Tap Scr.	00-615-644 218
24	Band	71-915-843 015	57	#10-32 x 1.75 Rd. Hd. Mach. Scr.	15-615-513 001
25	Coil Sleeving	18-726-294 002	58	#10-32 Elastic Stop Nut	00-633-039 210
26	Spacer	18-657-825 061	63	.25-20 x .75 Button Hd. Scr.	00-615-015 375
27	Block	18-657-825 058	64	Arrow Label	15-171-120 004
32	Cross Support	18-730-886 002			
33	Spacer Block	18-730-885 002			
34	End Tie Bar	18-730-887 002			