

Fig. 9 — Typical Schematic Diagram of Control Circuit, DC Closing

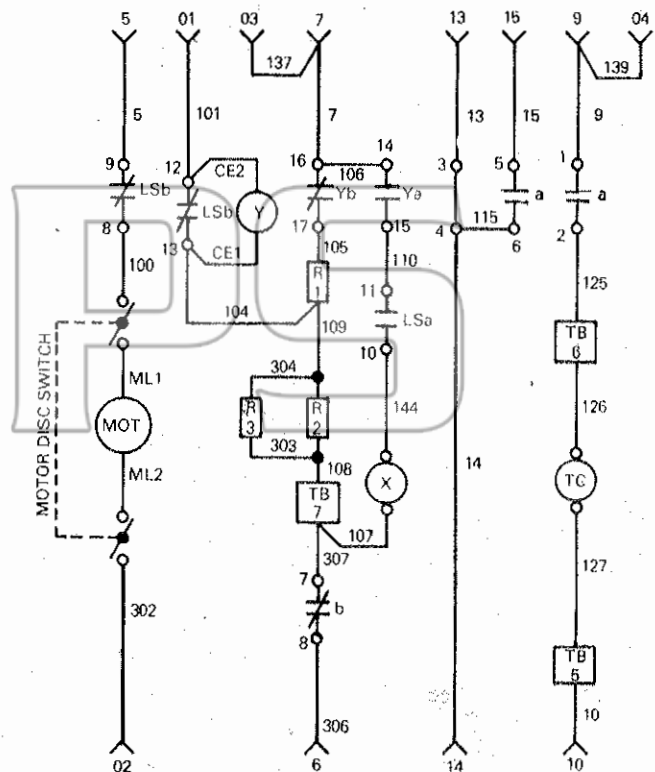


Fig. 10 — Typical Schematic Diagram of Control Circuit, AC Closing

LEGEND

REAR VIEW OF SECONDARY DISCONNECTS

- 6 > < 6
- 9 > < 7
- 10 > < 13
- 15 > < 14
- 04 > < 03
- 02 > < 01

- a — Auxiliary Switch Contact Closed When Breaker Is Closed.
- b — Auxiliary Switch Contact Open When Breaker Is Closed.
- LCb — Latch Check Switch Contact Closed When Breaker Operating Mechanism Is Reset.
- LSa — Limit Switch Contact Open When Springs Are Discharged, Closed When Springs Are Charged.
- LSb — Limit Switch Contact Closed When Springs Are Discharged, Open When Springs Are Charged.
- TC — Shunt Trip Coil
- X — Closing Latch Release Coil.
- Y — Control Relay Lockout Coil.
- Ya — Normally Open Control Relay Contact.
- Yb — Normally Closed Control Relay Contact.
- TB — Terminal Block Point.
- ML — Motor Lead.
- CE — Coil Lead End.
- C1, C2 — Terminal Jumper (Control Device).
- > — Female Secondary Disconnect Contact.
- UV — Undervoltage Trip Device.
- UVb — Normally Closed Undervoltage Trip Device Contact.
- 69 — Permissive Control Switch.
- BL — Blocking Lever Switch (Open When Ground Switch Is Locked In Ground Position).