



**SWITCHGEAR**

**RENEWAL PARTS ORDERING GUIDE**

**IPS**

---

**TYPES FB-500A, FC-500A  
and FC-750A, 15-KV**

**AIR MAGNETIC CIRCUIT BREAKERS**

**With**

**SOLENOID OR STORED  
ENERGY OPERATORS**

---

Supplement To 18X3088

18X4440

March '73

## HOW TO USE YOUR RENEWAL PARTS ORDERING GUIDE

1. Locate the part or parts to be replaced in one of the drawings in this manual. Refer to the usage code table on page ii for drawings applicable to your breaker.
2. Identify each part by item number, description and part number. Give drawing figure number in which part is shown.
3. Include breaker type, rating and breaker serial number with your order.
4. Place order with your Allis-Chalmers representative.

### ORDERING EXAMPLE

Type	<u>FC-500A</u>	Rated Amps	<u>1200</u>	Serial Number	<u>H61064-1</u>
Type of Operator:	<input checked="" type="checkbox"/>	Solenoid	<input type="checkbox"/>	Stored Energy	
Renewal Parts Ordering Guide	<u>18X4440</u>				
<u>Fig</u>	<u>Item</u>	<u>Description</u>	<u>Part Number</u>	<u>Quantity</u>	
1	3	Phase Barrier	71-208-415-503	1	
1	35	Angle	71-113-680-001	2	
2	32	Arcing Contact	71-112-966-501	1	

If required part is not identified in this manual -----

1. Make a copy of the drawing figure in which the part would appear.
2. Indicate with arrows or other markings location of part.
3. Describe or sketch required part.
4. Include breaker type, rating and breaker serial number with your order.
5. Place order with your Allis-Chalmers representative.

### TABLE OF CONTENTS

	<u>Drawing No.</u>	<u>Figure</u>	<u>Page</u>
Solenoid Operated Breaker Assembly	72-422-911	1	1
Solenoid Operated Basic Breaker	18-466-955	1	1
Stud & Support	71-401-626	2	2
FC-500A Arc Chute	71-401-287	3	3
FB-500A and FC-750A Arc Chute	71-401-440	4	4
FC-500A Solenoid Operator & Frame	72-420-022	5	5
FB-500A and FC-750A Solenoid Operator & Frame	72-420-023	6	6
FC-500A Solenoid Operator	72-320-029	7	7
FB-500A and FC-750A Solenoid Operator	72-320-036	8	8
Stored Energy Breaker Assembly	72-422-916	9	9
Stored Energy Basic Breaker	18-466-956	9	9
Stored Energy Operator and Frame	72-420-083	10	10
Stored Energy Operator	72-420-081	11	11 & 12

### USAGE CODE TABLE

Type	Application	Operator	Top Level Assembly	Usage Code*
FC-500A	1200 AMP	Solenoid	72-422-911-604	A
FC-500A	1200 AMP (60 KA)	Solenoid	72-422-911-605	B
FC-500A	1200/2000 AMP	Solenoid	72-422-911-606	C
FC-500A	2000 AMP (60KA)	Solenoid	72-422-911-607	D
FB-500A/FC-750A	1200 AMP	Solenoid	72-422-911-608	E
FB-500A/FC-750A	1200/2000 AMP	Solenoid	72-422-911-609	F
FB-500A/FC-750A	2000 AMP	Solenoid	72-422-911-610	G
FC-500A	1200 AMP	Stored Energy	72-422-916-604	H
FC-500A	1200 AMP (60KA)	Stored Energy	72-422-916-605	I
FC-500A	1200/2000 AMP	Stored Energy	72-422-916-606	J
FC-500A	2000 AMP (60KA)	Stored Energy	72-422-916-607	K
FB-500A/FC-750A	1200 AMP	Stored Energy	72-422-916-608	L
FB-500A/FC-750A	1200/2000 AMP	Stored Energy	72-422-916-609	M
FB-500A/FC-750A	2000 AMP	Stored Energy	72-422-916-610	N

\*If no usage code appears in the "USAGE" column of the following parts lists, the part is used on all assemblies listed in the figure title.

store.ips.us

ITEM	DESCRIPTION	PART NUMBER	USAGE	ITEM	DESCRIPTION	PART NUMBER	USAGE
1	Contact Finger Ass'y.	71-201-738-502	ABCEF	26	Phase Barrier-Left	71-208-415-502	ABCD
		71-106-079-501	CF	27	Panel Assembly	71-206-907-507	EFG
		71-201-458-502	DG	28	Basic Breaker Ass'y.	18-466-955-504	A
2	Channel	72-120-378-001	ABCD		(Includes items 30	18-466-955-505	B
		71-116-681-501	EFG		thru 42 below)	18-466-955-506	C
3	Phase Barrier-Right	71-208-415-503	ABCD			18-466-955-507	D
4	Panel Assembly	71-206-907-503	ABCD			18-466-955-508	E
5	Phase Barrier	71-208-416-501	EFG			18-466-955-509	F
6	Arc Chute Assembly	71-401-287-501	ABCD			18-466-955-510	G
		71-401-440-503	EFG	29	Frame & Operator	72-420-022-501	ABCD
7	Washer	71-019-219-015	ABCD			72-420-023-501	EFG
		71-019-219-020	EFG	30	Pipe Strap	72-120-155-001	EFG
8	Washer	71-107-100-002				00-691-088-006	ABCD
9	Label	71-108-145-001		31	Shim	71-110-641-003	
10	Indicator	71-111-259-001		32	Shim	71-110-641-004	
11	Panel	71-113-898-001		33	Link	71-113-440-001	
12	Spring	71-113-600-001		34	Shim	71-113-679-001	
13	Strap	71-114-302-001		35	Angle	71-113-680-001	
14	Indicator	71-167-982-001		36	Barrier	71-113-804-001	
15	Connector	71-208-263-002		37	Barrier	71-113-805-001	
16	Barrier	71-208-670-004		38	Guard	71-118-452-002	
17	Block	71-117-870-001		39	Pin	71-164-062-012	
18	Cover	72-220-077-001		40	Washer	71-164-152-008	
19	Strap	71-115-588-001	EFG	41	Header & Tubes	71-208-524-001	
20	Support	71-115-645-001	EFG	42	Stud and Support	71-401-626-501	A
21	Barrier	71-116-679-001			(See Figure	71-401-626-503	B
22	Support	71-302-650-001	ABCD			71-401-626-508	C
		71-302-903-001	EFG			71-401-626-502	D
23	Block Assembly	18-657-410-597				71-401-626-506	E
24	Block Assembly	18-657-410-598				71-401-626-510	F
25	Label	71-113-871-001				71-401-626-507	G

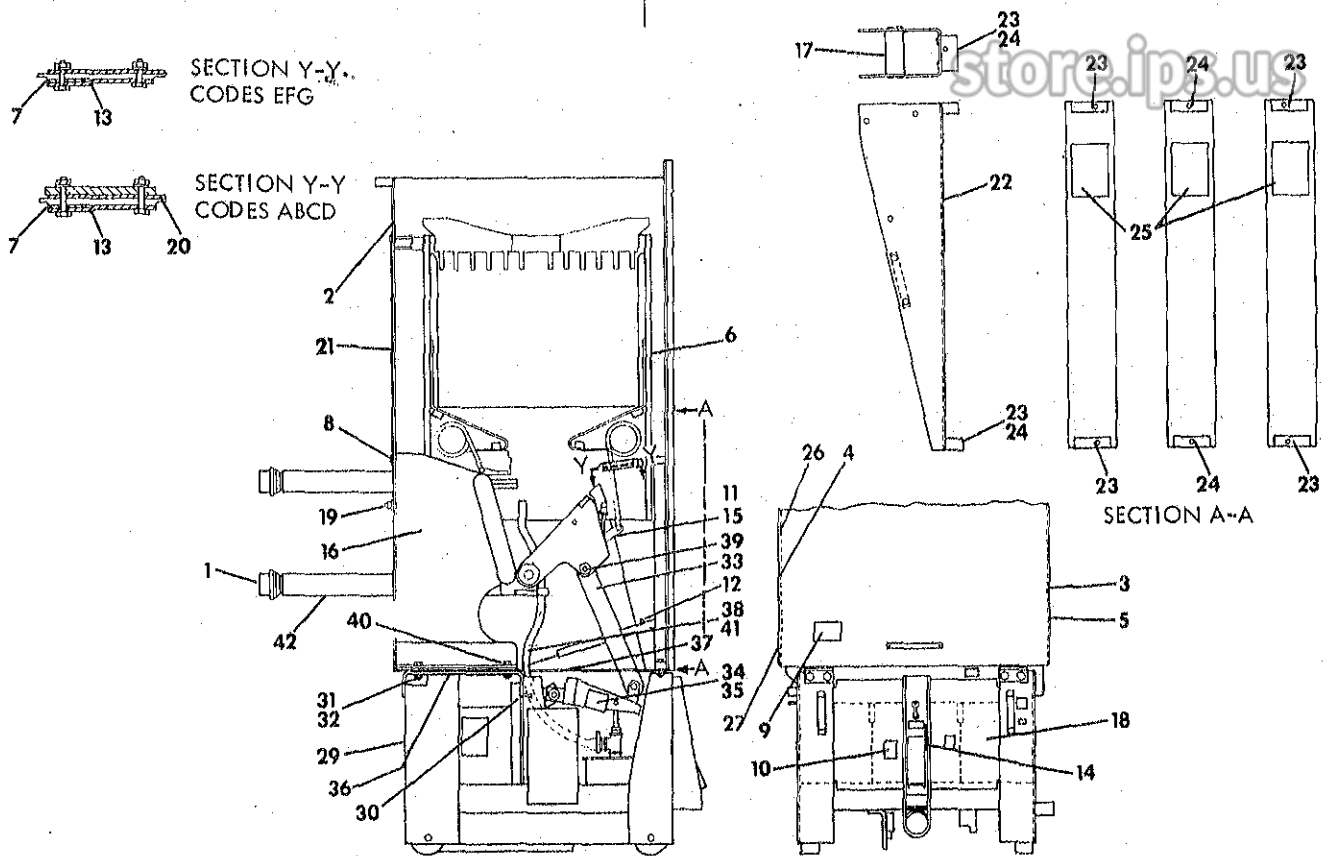
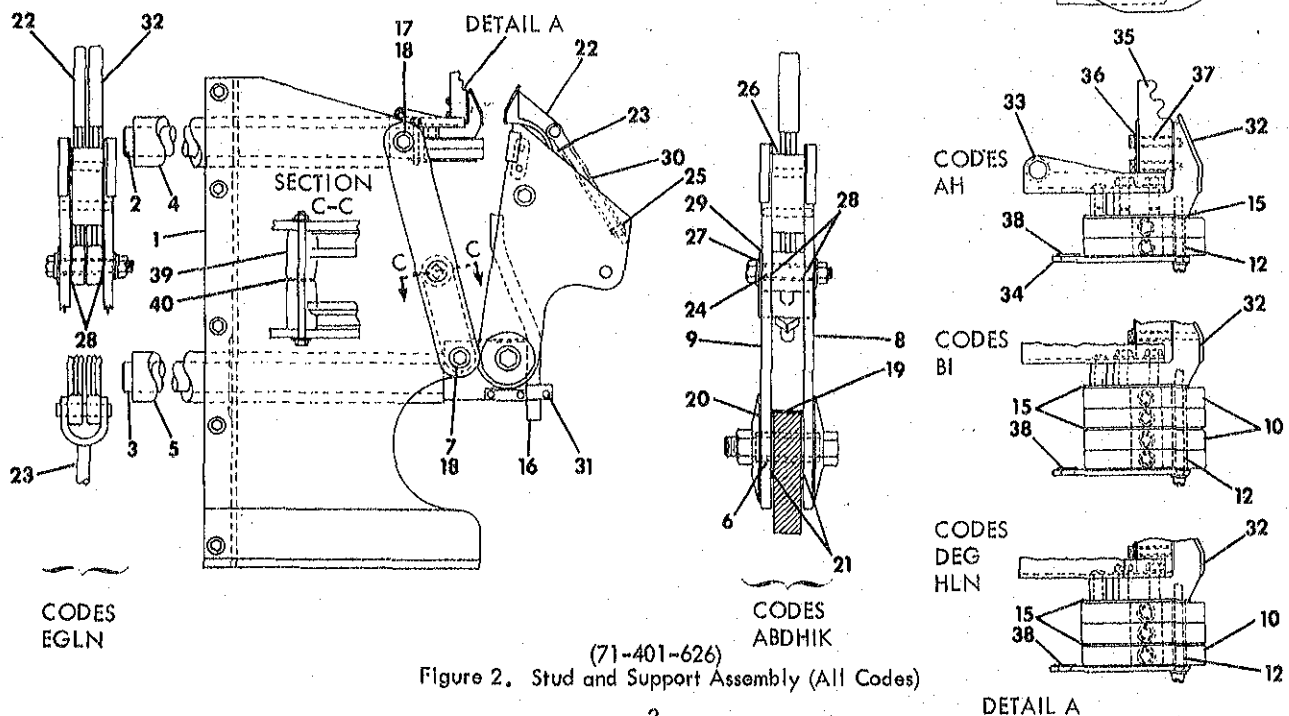


Figure 1. Solenoid Operated Breaker Assembly (Codes A through G; See Code Table, page ii) (72-422-911) (18-466-955)

ITEM	DESCRIPTION	PART NUMBER	USAGE	ITEM	DESCRIPTION	PART NUMBER	USAGE
1	Support Assembly	71-302-577-501	ABHI	13	Not Used		
		71-302-577-502	CDJK	14	Not Used		
		71-115-618-501	EL	15	Plate	71-112-910-001	BCDIJK
		71-115-618-502	FGMN				
2	Top Stud Assembly	71-208-214-503	BI	16	Nozzle	71-210-349-001	
		71-208-214-502	DGKN	17	Spacer	71-107-716-007	
		71-208-214-508	CFJM	18	Rod	71-110-282-002	
		71-208-214-501	AH	19	Strip	71-113-681-001	
		71-208-214-507	EL	20	Spring Washer	71-167-637-001	
3	Low Stud Assembly	71-208-196-501	ABHI	21	Washer	71-177-196-003	
		71-208-196-505	CJ	22	Arcing Contact Ass'y.	71-112-913-501	ABCDHI
		71-208-196-503	EL				JK
		71-208-196-504	DGKN			71-112-913-502	EFGLMN
		71-208-196-506	FM	23	Yoke	71-112-934-001	ABCDHI
4	Tube	71-113-488-001	ABEHIL				JK
		71-113-896-001	CDFGJK			71-114-697-001	EFGLMN
			MN	24	Tubing	71-172-682-010	
5	Tube	71-113-488-002	ABEHIL	25	Bar	71-113-038-001	
		71-113-896-002	CDFGJK	26	Spacer	71-112-948-001	
			MN	27	Washer	71-140-901-001	
6	Tube	71-170-947-007	ABHI	28	Washer	71-177-196-005	ABCDHI
		71-170-947-008	CDEFGJ				JK
			KLMN			71-114-701-001	EFGLMN
7	Spacer	71-107-716-008	ABHI	29	Washer	71-158-647-015	
		71-107-716-007	CDJK	30	Spring	72-120-400-001	
8	Disc Arm Assembly	71-208-255-506	BI	31	Link	71-118-284-001	
		71-208-255-504	CDEFGJ	32	Arcing Contact	71-112-966-501	ABCDHI
			KLMN				JK
		71-208-255-502	AH			71-112-913-503	EFGLMN
9	Disc Arm Assembly	71-208-255-505	BI			71-112-966-502	EFGLMN
		71-208-255-503	CDEFGJ	33	Channel	18-657-377-501	
			KLMN	34	Plate	71-112-911-001	
		71-208-255-501	AH	35	Barrier	71-112-971-001	
10	Contact Finger Ass'y.	18-657-372-501		36	Strip	71-114-147-001	
		18-657-372-505	BI	37	Insulation	71-114-148-001	
11	Not Used			38	Washer	71-152-809-030	
12	Tubing	72-120-735-002	BI	39	Spacer	71-115-589-001	EFGLMN
		72-120-735-001	AH	40	Washer	71-115-941-001	EFGLMN
		72-120-735-003	CDEFGJ				
			KLMN				



(71-401-626)  
Figure 2. Stud and Support Assembly (All Codes)

ITEM	DESCRIPTION	PART NUMBER	USAGE	ITEM	DESCRIPTION	PART NUMBER	USAGE
1	Channel	71-302-531-501		8	Bar	71-112-987-001	
2	Channel	71-302-531-502		9	Block	71-112-993-001	
3	Barrier Stack	71-302-838-501		10	Block	71-112-989-001	
4	Core	71-200-806-502		11	Coil (Rear)	71-208-183-001	
5	Pole Piece	71-112-924-501		12	Arc Runner	71-302-559-001	
6	Barrier	71-208-427-501		13	Coil (Front)	71-302-562-001	
7	Strap	71-114-269-001					

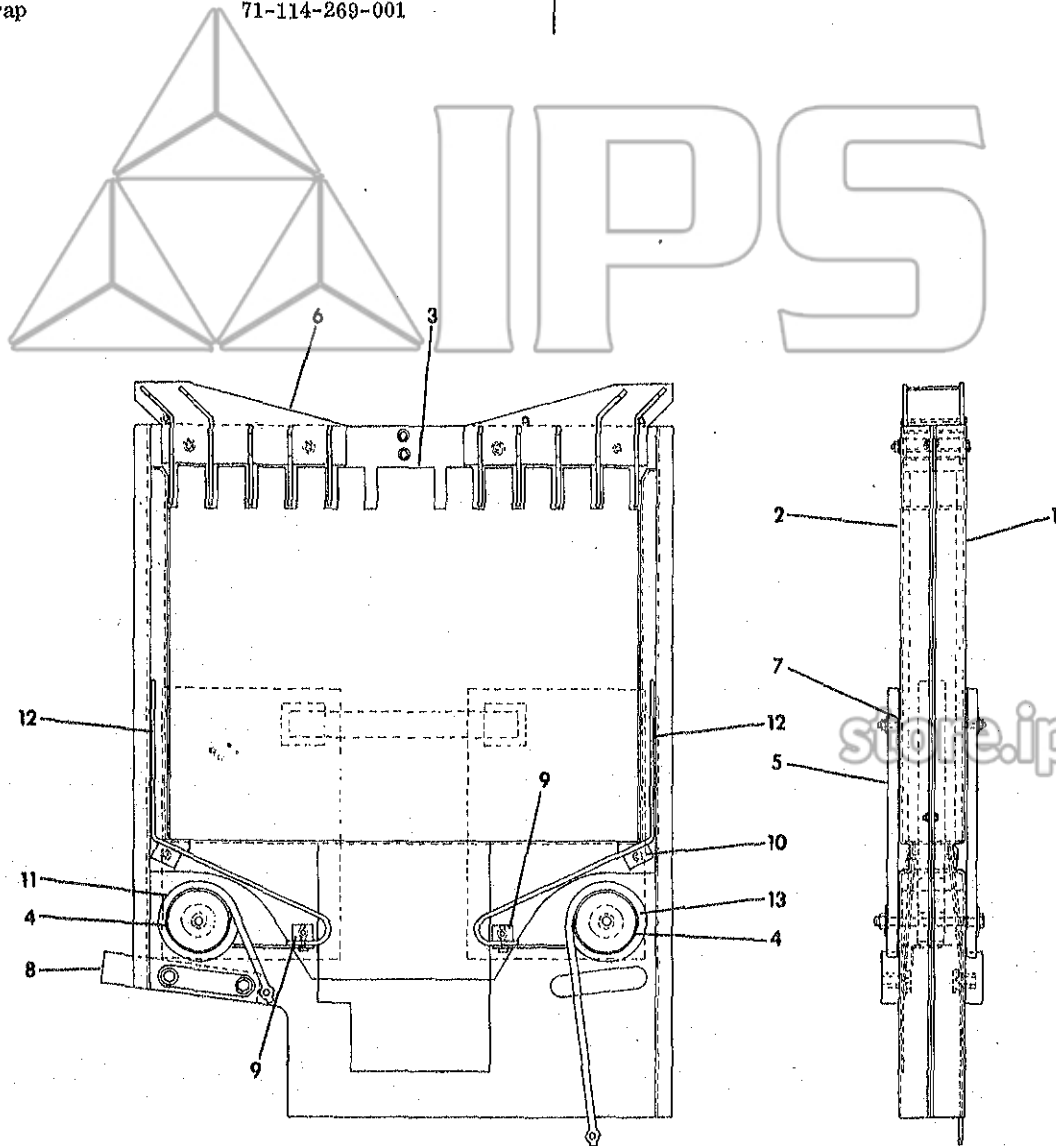


Figure 3. Arc Chute (Codes A through D and H through K; See Code Table, page 11) (71-401-287)

ITEM	DESCRIPTION	PART NUMBER	USAGE	ITEM	DESCRIPTION	PART NUMBER	USAGE
1	Barrier Stack	71-303-149-501		12	Block	71-115-643-001	
2	Core	71-200-806-604		13	Channel	71-115-644-002	
3	Barrier	71-209-698-601		14	Plate	71-115-646-001	
4	Coil (Rear)	71-208-896-501		15	Arc Runner	71-115-648-001	
5	Coil (Front)	71-208-896-502		16	Spacer	71-209-188-001	
6	Pole Piece	71-116-426-501		17	Spacer	71-209-188-002	
7	Core	71-115-647-501		18	Channel Assembly	18-657-372-524	
8	Tube	71-111-912-001		19	Channel Assembly	18-657-372-525	
9	Plate	71-112-771-002		20	Arc Runner	71-302-914-001	
10	Block	71-112-993-002		21	Support	71-303-029-001	
11	Band	71-915-843-005		22	Wedge	71-116-550-001	

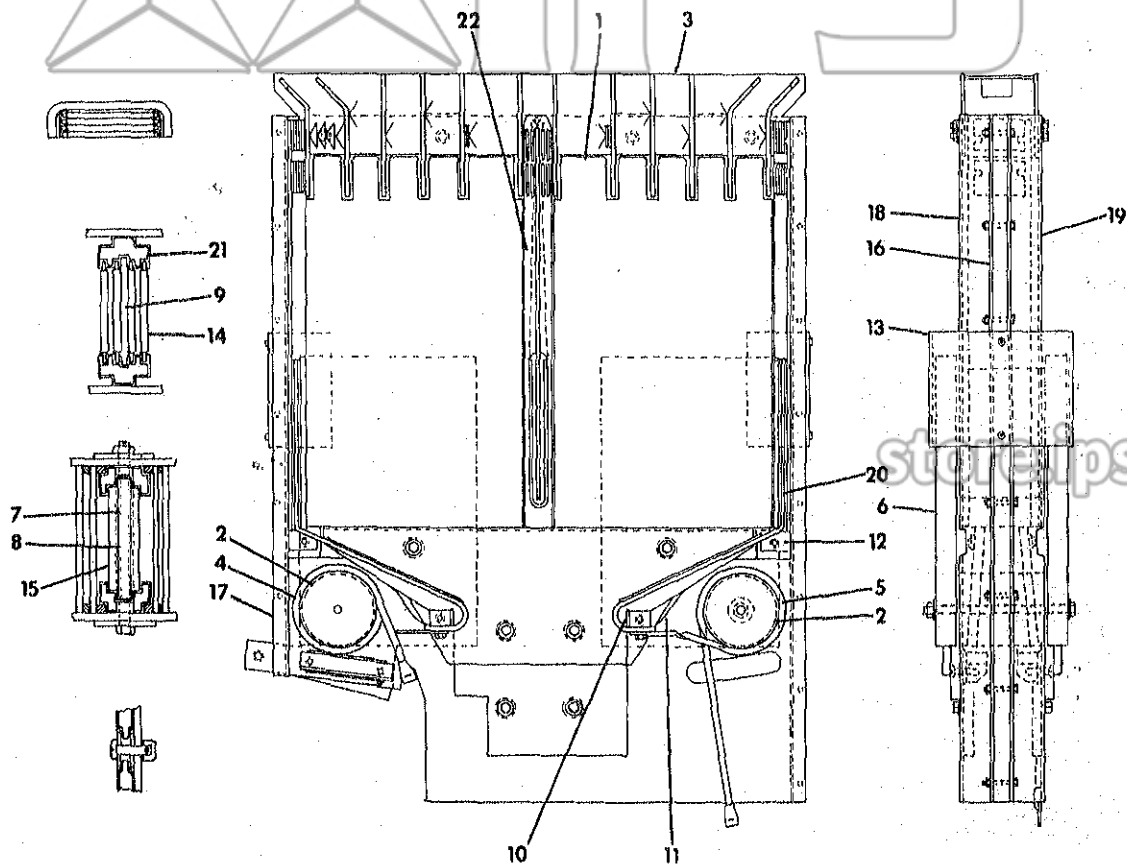
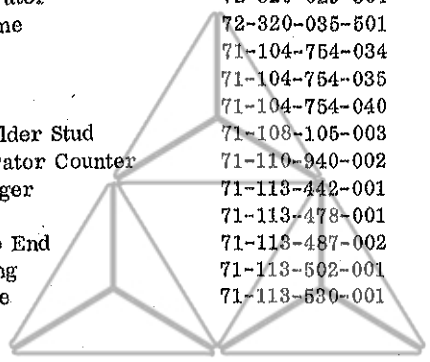


Figure 4. Arc Chute (Codes E through G and L through N; See Code Table, page 11) (71-401-440)



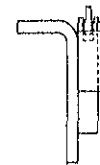
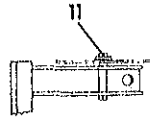
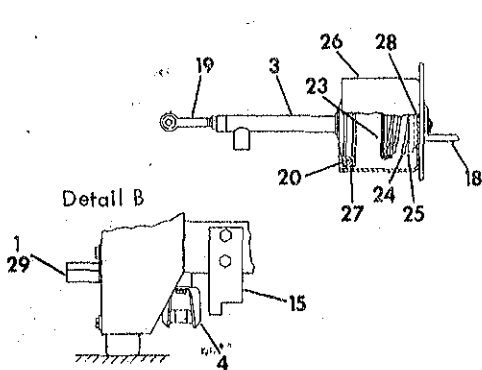
ITEM	DESCRIPTION	PART NUMBER	USAGE	ITEM	DESCRIPTION	PART NUMBER	USAGE
1	Guide	71-113-437-501		19	Rod End	71-113-541-001	
2	Indicator Arm	71-113-474-501		20	Spring	71-113-621-001	
3	Piston	71-114-161-505		21	Rod End	71-113-633-001	
4	Ground Contact	71-114-787-502		22	Spring	71-113-669-001	
5	Guide	71-115-432-501		23	Cup	71-114-161-001	
6	Foot Lever	72-220-080-502		24	Compression Spring	71-114-153-001	
7	Operator	72-320-029-504		25	Bumper	71-114-154-001	
8	Frame	72-320-035-501		26	Cylinder	71-114-155-003	
9	Pin	71-104-754-034		27	Packing	71-114-156-001	
10	Pin	71-104-754-035		28	Valve Disc	71-115-244-001	
11	Pin	71-104-754-040		29	Shim	71-115-544-001	
12	Shoulder Stud	71-108-105-003		30	Compression Spring	71-140-125-001	
13	Operator Counter	71-110-940-002		31	Rod	71-140-147-032	
14	Plunger	71-113-442-001		32	Spring	71-153-031-001	
15	Stop	71-113-478-001		33	Pin	71-915-161-029	
16	Yoke End	71-113-487-002		34	Angle	71-208-371-001	
17	Spring	71-113-502-001		35	Handle	72-120-391-001	
18	Angle	71-113-630-001		36	Ball Joint	00-833-573-003	
				37	Yoke End	00-691-701-901	
				38	Yoke End	00-691-701-903	



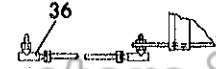
Detail A

Detail C

Detail D



Detail E



store.ips.us

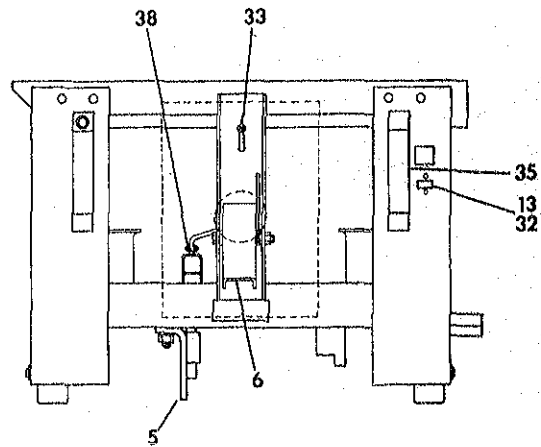
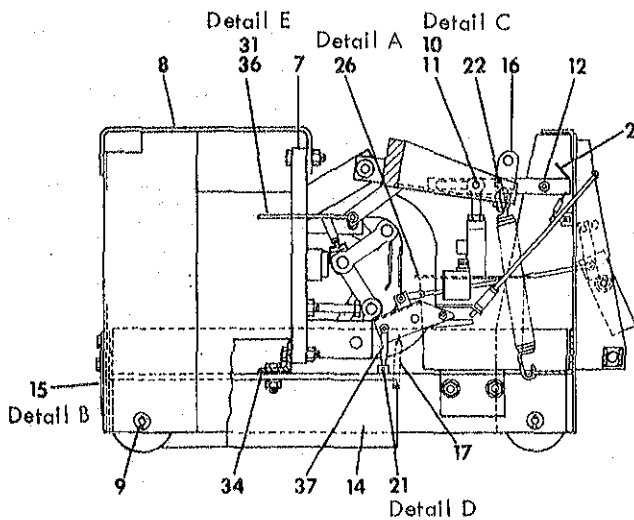


Figure 5. Solenoid Operator and Frame Assembly (Codes A through D; See Code Table, page 11) (72-420-022)



ITEM	DESCRIPTION	PART NUMBER	USAGE	ITEM	DESCRIPTION	PART NUMBER	USAGE
1	Guide	71-113-437-501		20	Rod End	71-113-633-001	
2	Indicator Arm	71-113-474-501		21	Cup	71-114-151-001	
3	Piston	71-114-161-505		22	Compression Spring	71-114-153-001	
4	Ground Contact	71-114-787-502		23	Bumper	71-114-154-001	
5	Guide	71-114-177-501		24	Cylinder	71-114-155-003	
6	Support	72-120-131-501		25	Packing	71-114-156-001	
7	Foot Lever	72-220-080-502		26	Spring	71-114-733-001	
8	Frame	72-320-036-502		27	Valve Disc	71-115-244-001	
9	Operator	72-320-036-502		28	Shim	71-115-544-001	
10	Pin	71-104-754-034		29	Compression Spring	71-140-125-001	
11	Pin	71-104-754-035		30	Rod	71-140-147-032	
		71-104-754-040		31	Spring	71-153-031-001	
12	Shoulder Stud	71-108-105-003		32	Washer	71-163-273-001	
13	Operator Counter	71-110-940-002		33	Pin	71-915-161-029	
14	Plunger	71-113-442-001		34	Angle	72-120-129-001	
15	Stop	71-113-478-001		35	Guide	72-120-156-001	
16	Yoke End	71-113-487-001		36	Handle	72-120-391-001	
17	Spring	71-113-502-001		37	Ball Joint	00-833-573-003	
18	Rod End	71-113-541-001		38	Yoke End	00-691-701-901	
19	Spring	71-113-621-001		39	Yoke End	00-691-701-903	

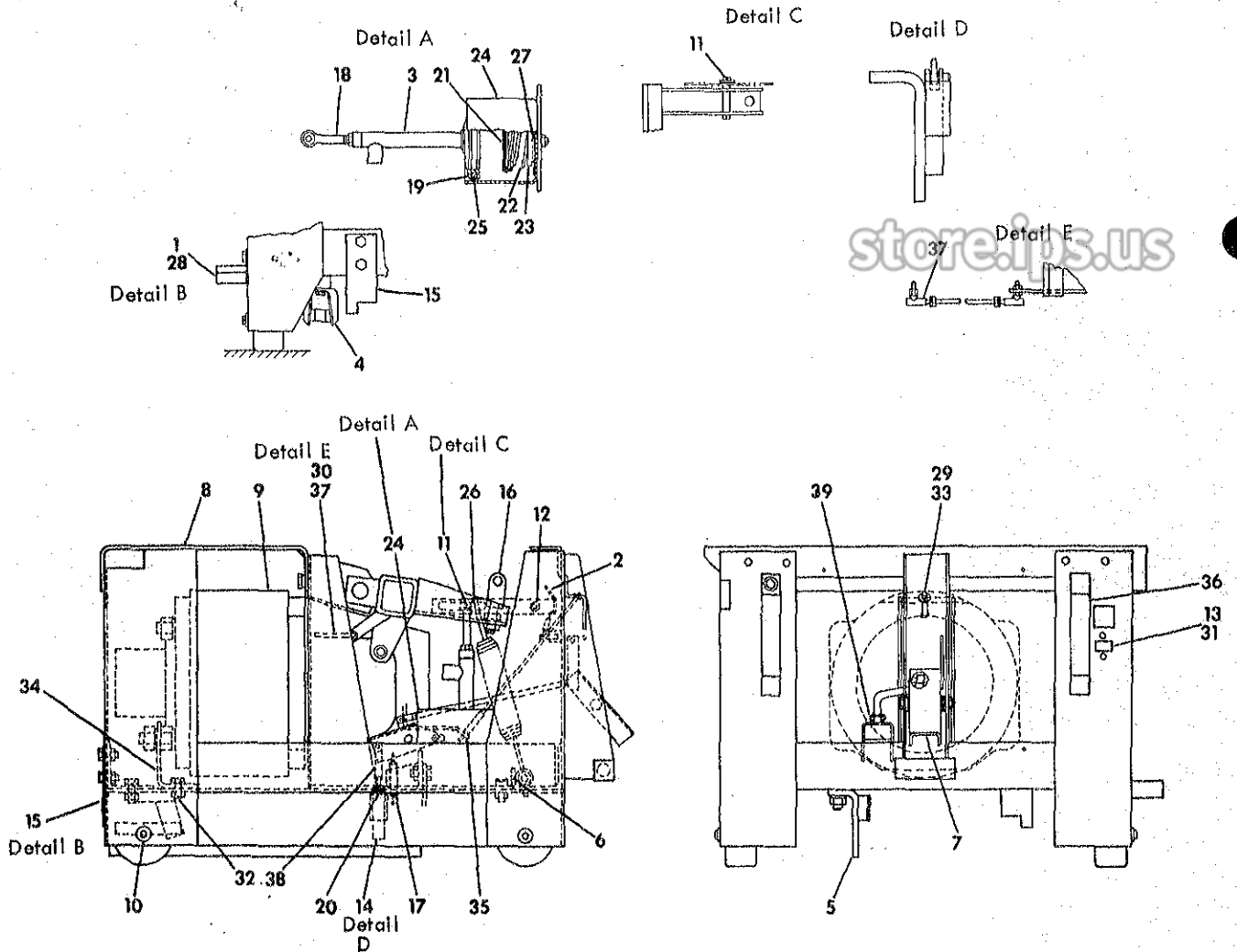


Figure 6. Solenoid Operator and Frame Assembly (Codes E through G;  
See Code Table, page 11) (72-420-023)

ITEM	DESCRIPTION	PART NUMBER	USAGE	ITEM	DESCRIPTION	PART NUMBER	USAGE
1	Tube	71-114-775-502		29	Washer	71-100-278-001	
2	Washer	71-024-132-039		30	Washer	71-115-149-001	
3	Washer	71-140-422-035		31	Tubing	71-115-973-001	
4	Washer	71-140-443-001		32	Washer	71-158-647-013	
5	Rod	72-120-329-001		33	Washer	71-162-014-018	
6	Lever	72-120-394-502		34	Washer	71-170-538-001	
7	Link Assembly	71-101-258-502		35	Washer	71-173-732-004	
8	Latch Assembly	71-100-264-501		36	Pin	71-915-161-025	
9	Not Used			37	Washer	71-922-850-001	
10	Arm Assembly	71-101-269-503		38	Cam	71-120-007-001	
11	Plate Assembly	71-116-083-501		39	Lever	72-120-189-002	
12	Cap	71-100-213-001		40	Bracket	72-120-193-001	
13	Screw	71-100-356-001		41	Pin	72-120-194-002	
14	Pin	71-100-377-001		42	Bracket	72-120-195-001	
15	Pin	71-100-382-002		43	Spacer	72-120-198-001	
16	Pin	71-100-382-001		44	Compression Spring	71-204-606-020	
17	Pin	71-100-391-001		45	Roller Bearing	15-813-073-001	
18	Pin	71-100-929-005		46	Needle Bearing	00-813-119-814	
19	Washer	71-102-710-001		47	Nyliner	00-815-279-010	
20	Shield	71-108-526-001		48	Stud - Stop	18-667-364-100	
21	Shim	71-109-649-001		49	Spring	15-837-321-002	
22	Shim	71-109-649-002		50	Micro Switch	00-871-351-007	
23	Stop	71-109-654-001		51	Limit Switch	00-871-383-403	
24	Spring	71-112-627-001		52	Rod	71-107-949-005	
25	Latch	71-113-355-001		53	Spring	71-140-076-001	
26	Link	71-113-413-001		54	Plunger Assembly	71-208-445-501	
27	Link	71-113-416-001		55	Frame	71-302-659-501	
28	Spring	71-113-503-001		56	Arm Assembly	71-302-661-502	
				58	Armature	71-113-467-001	
				59	Pin	71-164-062-011	

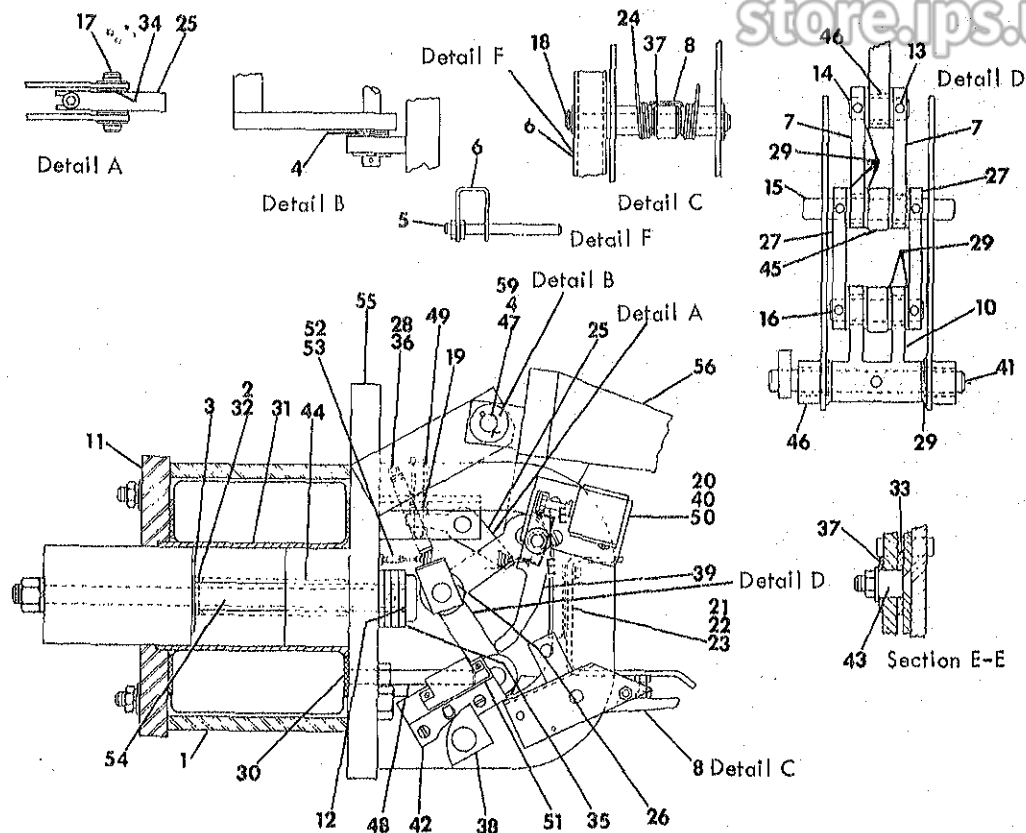


Figure 7. Type FC-500A Solenoid Operator Assembly (72-320-029)  
(Codes A through D; See Code Table, page ii)

ITEM	DESCRIPTION	PART NUMBER	USAGE	ITEM	DESCRIPTION	PART NUMBER	USAGE
1	Arm	71-302-796-502		25	Link	71-113-413-001	
2	Latch	71-100-264-501		26	Spring	71-113-503-001	
3	Link Assembly	71-101-258-502		27	Washer	71-100-278-001	
4	Arm	71-101-269-504		28	Armature	71-115-218-001	
5	Tube	71-114-775-503		29	Tube	71-115-973-003	
6	Plunger Assembly	71-208-445-503		30	Spring	71-140-076-001	
7	Plate	71-209-652-501		31	Washer	71-140-422-035	
8	Frame	71-302-967-502		32	Washer	71-152-809-027	
9	Lever	72-120-394-502		33	Washer	71-158-647-013	
10	Washer	71-024-132-039		34	Pin	71-161-921-008	
11	Cap	71-100-213-001		35	Washer	71-170-538-001	
12	Setscrew	71-100-356-001		36	Washer	71-173-732-004	
13	Pin	71-100-377-001		37	Washer	71-922-850-001	
14	Pin	71-100-382-001		38	Spring	71-204-606-020	
15	Pin	71-100-391-001		39	Cam	72-120-007-001	
16	Pin	71-100-929-005		40	Pin	72-120-194-001	
17	Washer	71-102-710-001		41	Rod	72-120-329-001	
18	Rod	71-107-949-005		42	Roller Follower	15-813-073-001	
19	Shim	71-109-649-001		43	Needle Bearing	00-813-119-814	
20	Shim	71-109-649-002		44	Nyliner	00-815-279-020	
21	Stop	71-109-654-001		45	Limit Switch	18-657-372-503	
22	Washer	71-111-395-001		46	Micro Switch	18-657-372-504	
23	Spring	71-112-627-001		47	Spring	15-837-321-002	
24	Latch	71-113-355-001		48	Pin	71-100-382-002	
				49	Link	71-113-416-001	

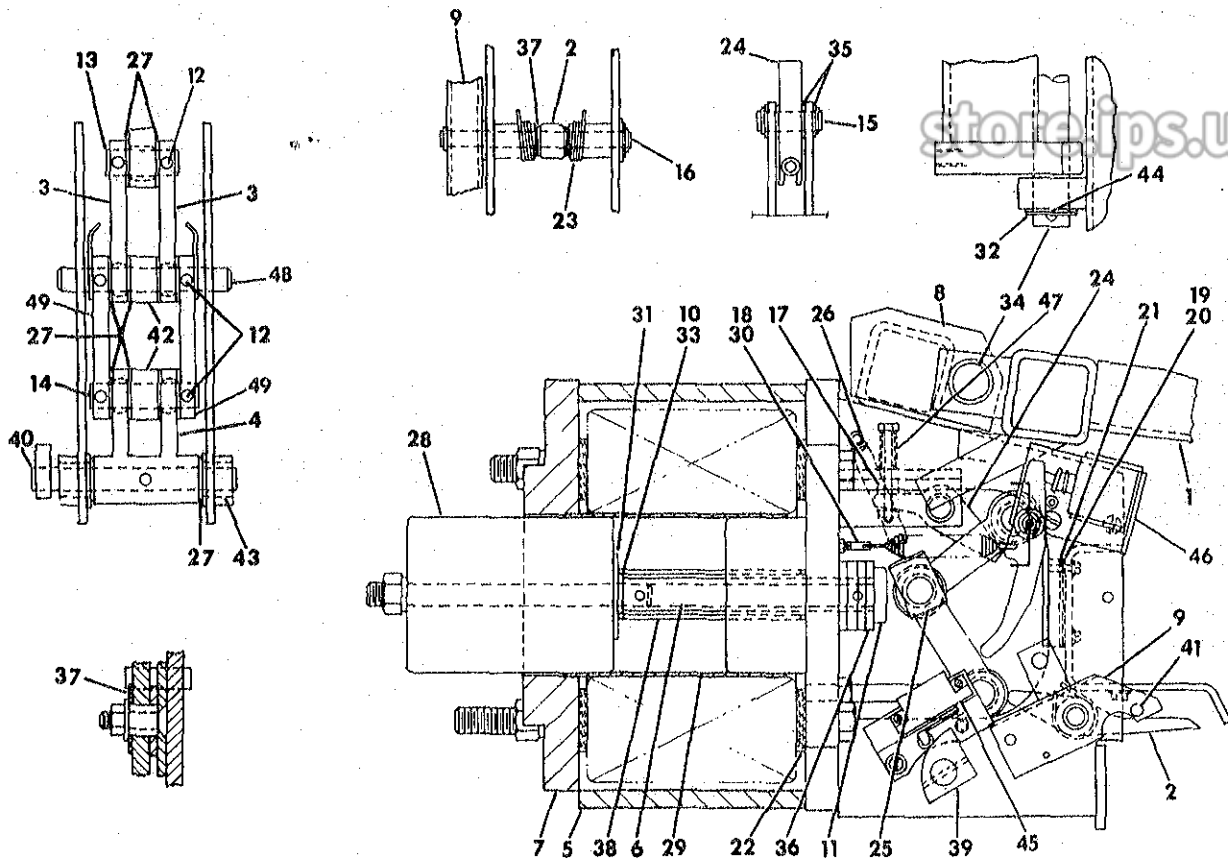


Figure 8. Solenoid Operator Assembly (72-320-036)  
(Codes E thru G, See Code Table, page ii)

ITEM	DESCRIPTION	PART NUMBER	USAGE	ITEM	DESCRIPTION	PART NUMBER	USAGE
1	Contact Finger Ass'y.	71-201-738-502	HIJLM	24	Block Assembly	18-657-410-597	
		71-201-458-502	KN	25	Block Assembly	18-657-410-598	
		71-106-079-501	JM	26	Label	71-113-871-001	
2	Auxiliary Closing Spring	71-209-454-501	LMN	27	Block	71-117-870-001	
3	Panel Assembly	71-206-907-503	HIJK	28	Label	71-114-294-001	
		71-206-907-507	LMN	29	Basic Breaker Ass'y.	18-466-956-504	H
4	Phase Barrier	71-208-415-501	LMN		(Includes items 30	18-466-956-505	I
		71-208-415-502	HIJK		thru 39 below)	18-466-956-506	J
		71-208-415-503	HIJK			18-466-956-507	K
						18-466-956-508	L
5	Arc Chute Assembly	71-401-287-501	HIJK			18-466-956-509	M
		71-401-440-503	LMN			18-466-956-510	N
6	Label	15-171-083-030	LMN	30	Frame & Operator	72-420-083-501	HIJK
7	Washer	71-107-100-002			(See Figure	72-420-083-502	LMN
8	Label	71-108-145-001		31	Link	71-113-440-001	
9	Indicator	71-111-259-001		32	Shim	71-113-679-001	
10	Panel	71-113-398-001		33	Angle	71-113-680-001	
11	Spring	71-113-600-001		34	Barrier	71-113-804-001	
12	Strap	71-114-302-001		35	Barrier	71-113-805-001	
13	Label	71-117-507-001		36	Guard	71-118-452-002	
14	Indicator	71-167-932-001		37	Washer	71-164-152-008	
15	Connector	71-208-263-002		38	Header & Tube	71-208-524-001	
16	Barrier	71-208-670-004		39	Stud & Support	71-401-626-501	H
17	Channel	72-120-378-001	HIJK		(See Figure	71-401-626-503	I
		71-116-681-501	LMN			71-401-626-508	J
						71-401-626-502	K
18	Cover	72-220-077-001				71-401-626-506	L
19	Cover	72-220-077-002				71-401-626-510	M
20	Strap	71-115-588-001	LMN			71-401-626-507	N
21	Support	71-115-645-001	LMN	40	Not Used		
22	Barrier	71-116-679-001		41	Washer	71-019-219-015	
23	Support	71-302-650-001	HIJK	42	Pin	71-164-062-012	
		71-302-903-001	LMN				
43	Shim	71-110-641-003					
44	Shim	71-110-641-004					
45	Washer	71-019-219-020					

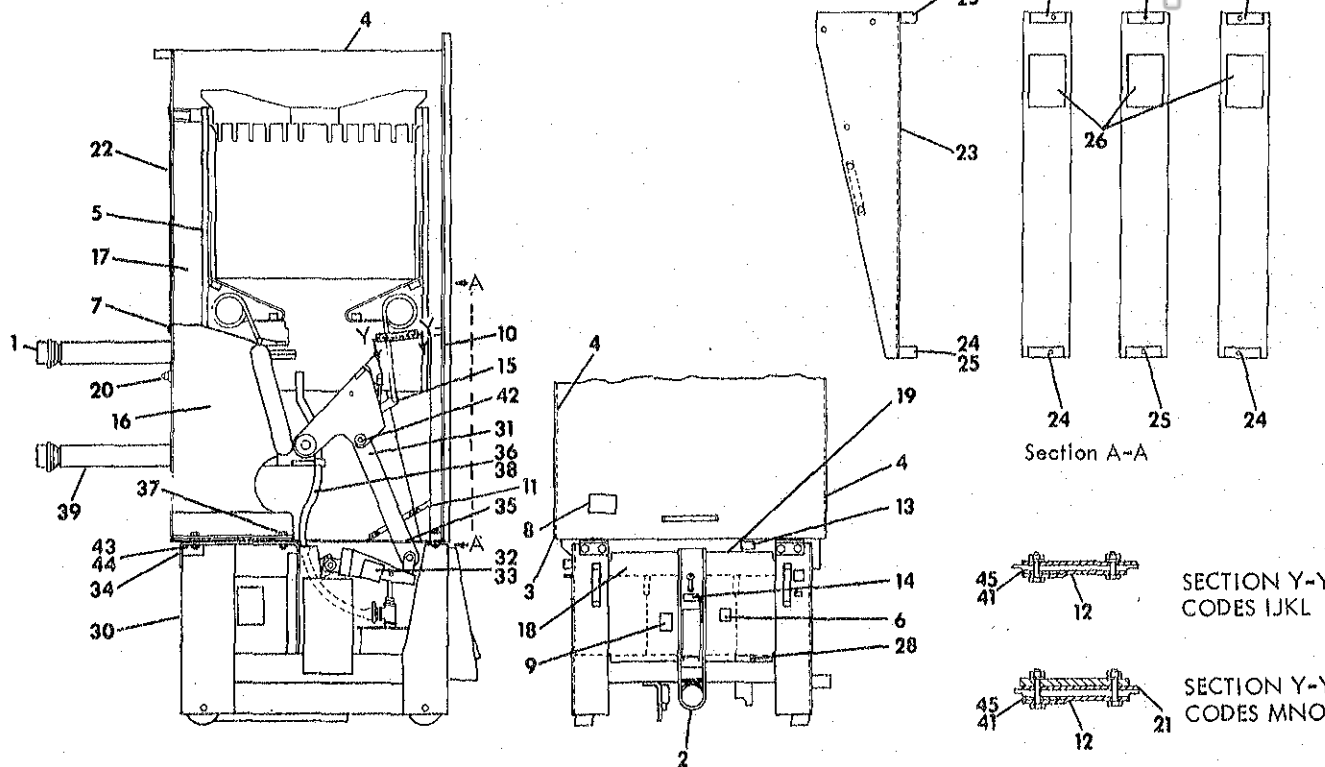


Figure 9. Stored Energy Breaker Assembly (Codes H through N; See Code Table, page ii) (72-422-916) (18-466-956)

ITEM	DESCRIPTION	PART NUMBER	USAGE	ITEM	DESCRIPTION	PART NUMBER	USAGE
1	Operator Assembly	72-420-081-501	HIJK	24	Valve Disc	71-115-244-001	
		72-420-081-502	LMN	25	Ring	71-116-131-001	
2	Guide Assembly	71-113-437-501		26	Compression Spring	71-140-125-001	
3	Indicator Arm Ass'y.	71-113-474-501		27	Angle	71-208-698-001	
4	Piston Assembly	71-114-161-505		28	Washer	71-152-809-002	
5	Guide Assembly	71-114-177-501		29	Rod	72-120-703-001	
6	Ground Contact Ass'y.	71-114-787-502		30	Clevis	72-120-704-001	
7	Crank Assembly	72-120-699-501		31	Roller	72-120-706-001	
8	Pedal Assembly	72-220-080-502		32	Bracket	72-120-708-001	
9	Frame Assembly	72-320-035-502		33	Handle	72-120-391-001	
10	Counter	71-110-940-002		34	Wire Rope	00-573-897-022	
11	Plunger	71-113-442-001		35	Yoke End	00-691-701-901	
12	Stop	71-113-478-001		36	Yoke End	00-691-701-903	
13	Yoke End	71-113-487-002		37	Yoke End	00-691-701-902	
14	Angle	71-113-530-001		38	Roll Pin	00-671-176-377	
15	Rod End	71-113-541-001		39	Wheel	15-171-067-002	
16	Spring	71-113-621-001		40	Spring	15-837-455-002	
17	Rod End	71-113-633-001		41	Oval Sleeve	15-171-054-001	
18	Spring	71-113-669-001		42	Spring	15-837-321-003	
19	Cup	71-114-151-001		43	Plate	71-113-349-001	
20	Compression Spring	71-114-153-001		44	Indicator	71-208-691-501	
21	Bumper	71-114-154-001		45	Rod	71-113-457-002	
22	Cylinder	71-114-155-003		46	Stud	71-113-674-001	
23	Packing	71-114-156-001		47	Roll Pin	00-671-176-224	

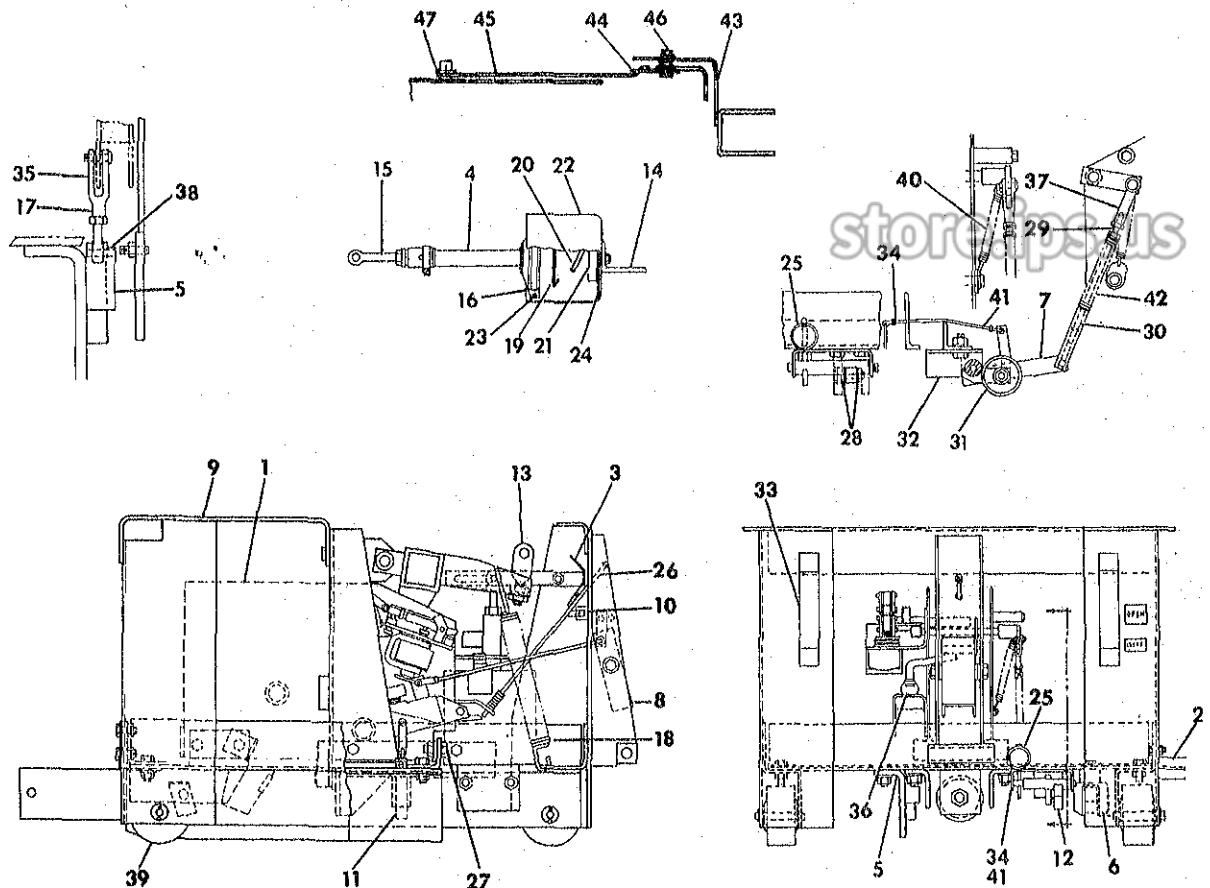
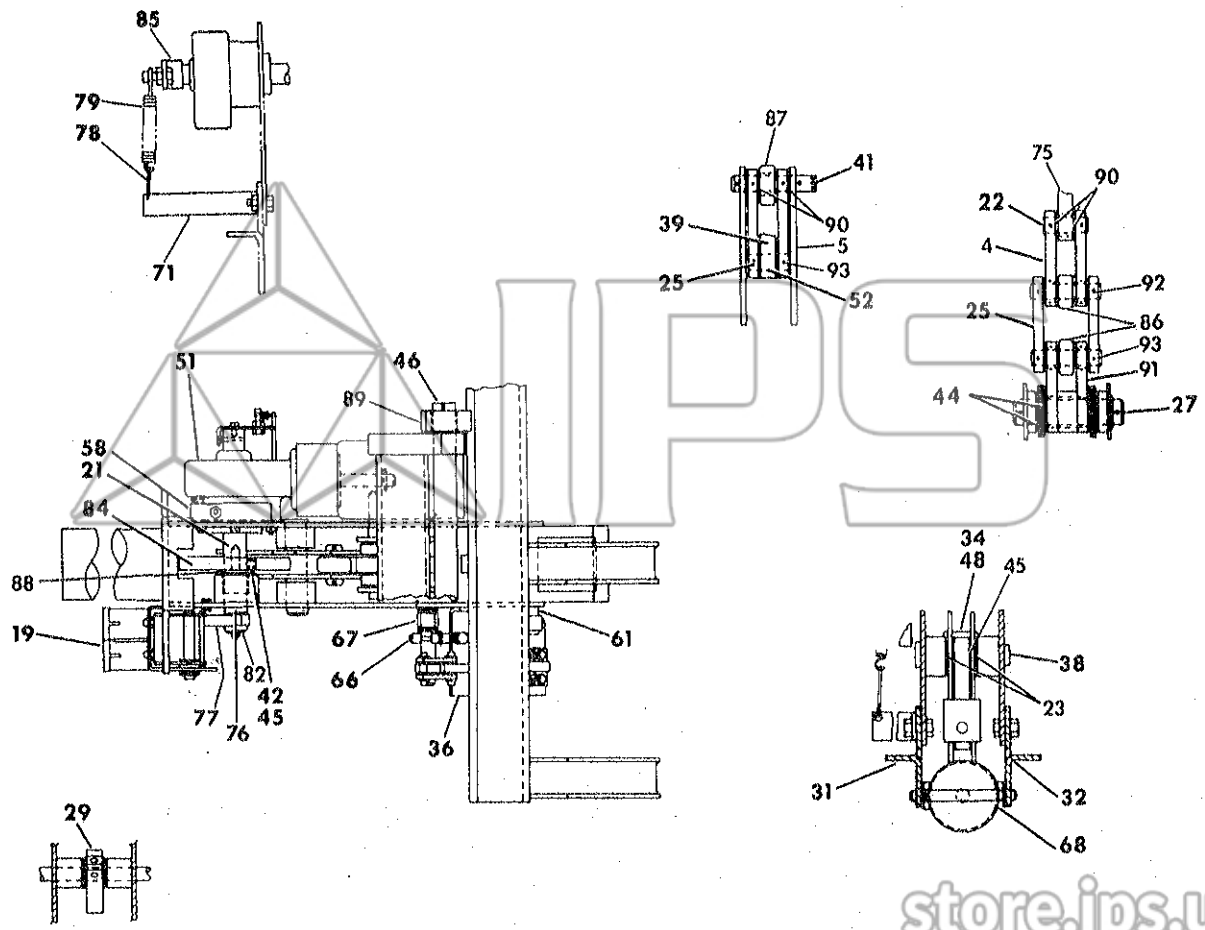


Figure 10. Stored Energy Operator and Frame (Codes H through N;  
See Code Table, page ii) (72-420-083)



ITEM	DESCRIPTION	PART NUMBER	USAGE	ITEM	DESCRIPTION	PART NUMBER	USAGE
1	Latch Assembly	71-100-264-501		48	Tubing	71-172-303-008	
2	Tube Assembly	71-114-922-501		49	Washer	71-921-604-005	
3	Pin	71-104-935-020		50	Washer	71-922-850-001	
4	Link Assembly	71-101-258-503		51	Gear Assembly	71-210-046-016	
5	Link	72-220-133-001		52	Pin	72-120-041-001	
6	Rod End	71-106-245-009	LMN	53	Bumper	72-120-113-001	
7	Spring	71-115-558-001		54	Link	72-120-114-001	
8	Spring	71-115-559-001		55	Screw	72-120-137-001	
9	Rod End Assembly	71-114-035-501		56	Spacer	72-120-138-001	
10	Spring	71-115-560-001		57	Spacer	72-120-139-001	
11	Stop Assembly	71-116-177-502		58	Bar	72-120-140-001	
12	Spring	71-115-561-001		59	Spacer	72-120-179-001	
13	Frame Assembly	71-401-398-503		60	Rod	72-120-329-001	
14	Arm Assembly	18-718-952-502		61	Shaft	72-120-442-001	
15	Arm Assembly	72-120-445-501		62	Washer	71-152-809-033	
16	Crank Assembly	72-120-697-502		63	Arm	72-120-399-001	
17	Lever Assembly	72-120-563-502		64	Washer	71-171-059-001	
18	Bumper Plate Ass'y.	71-120-152-501		65	Spacer	72-110-390-009	
19	Switch Assembly	18-657-372-511		66	Crank	72-120-710-001	
20	Pin	71-018-299-001		67	Torsion Spring	71-114-133-001	
21	Key	71-018-485-007		68	Washer	71-024-132-044	
22	Pin	71-100-377-001		69	Spring	00-837-455-012	
23	Washer	71-101-009-001		70	Link	72-120-709-001	
24	Pin	72-120-723-001		71	Bracket	72-120-086-001	
25	Link	71-113-416-001		72	Spring	00-837-455-012	
26	Pin	71-114-019-002		73	Switch	15-171-044-004	
27	Pin	71-114-044-002		74	Needle Bearing	00-813-119-814	
28	Pin	72-120-434-001		75	Arm Assembly	71-302-796-502	
29	Latch Assembly	72-120-436-501		76	Spacer	72-120-061-001	
30	Crank	72-120-724-001		77	Cam	71-118-392-001	
31	Bracket	71-114-924-001		78	Link	72-120-087-001	
32	Bracket	71-114-924-002		79	Spring	71-113-503-001	
33	Pin	71-114-949-001		80	Screw	72-120-141-001	
34	Tubing	71-115-330-005		81	Shim	71-105-138-001	
35	Spacer	71-116-015-003		82	Spacer	71-114-951-002	
36	Lock Assembly	72-220-134-502		83	Round	71-104-107-016	
37	Spring	71-116-218-001		84	Cam	72-220-044-001	LMN
38	Pin	71-116-484-001				71-210-343-001	HIJK
39	Arm	71-116-793-001		85	Arm Assembly	72-120-088-001	
40	Shim	71-116-807-001		86	Roller Follower	15-813-073-001	
41	Pin	71-118-093-001		87	Roller Follower	15-813-073-002	
42	Washer	71-140-422-002		88	Bearing	00-815-021-101	
43	Washer	71-140-422-038		89	Nyliner Flange	00-815-279-020	
44	Washer	71-152-809-025		90	Washer	71-100-278-001	
45	Washer	71-152-809-027		91	Link Assembly	71-115-913-502	
46	Pin	71-161-921-004		92	Pin	71-100-382-001	
47	Washer	71-170-127-001		93	Screw	71-100-356-001	

Figure 11. Stored Energy Operator Assembly (Codes H through N; See Code Table, page 11)  
(Sheet 1 of 2) (72-420-081)



store.ips.us

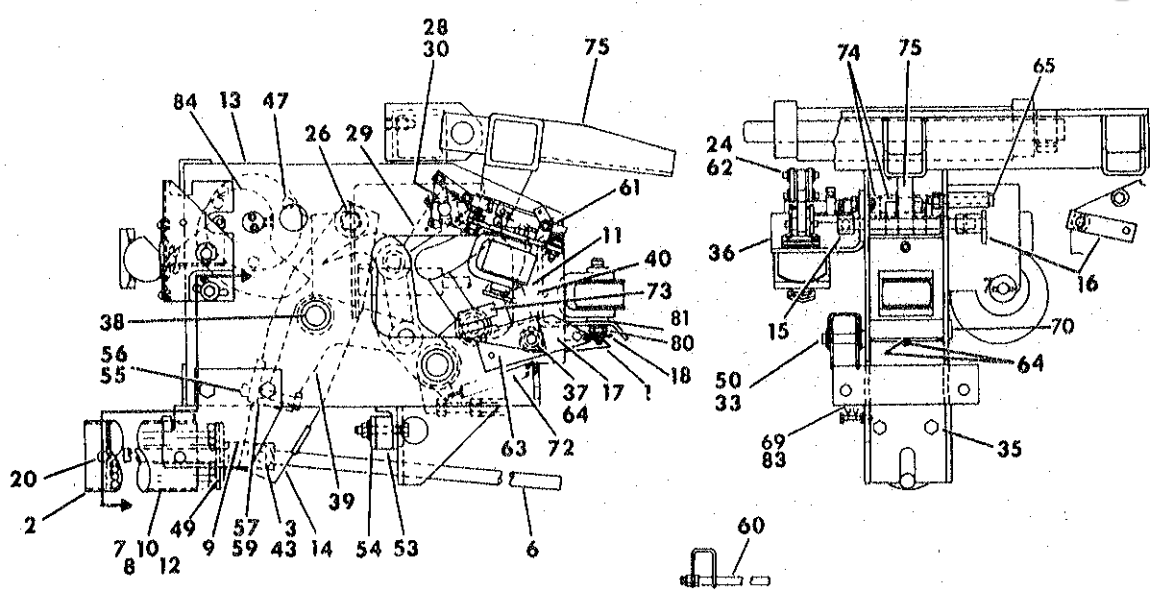


Figure 11. Stored Energy Operator Assembly (Codes H through N; See Code Table, page ii)  
(Sheet 2 of 2)