



EntelliGuard® G Circuit Breaker Accessories

Introduction

Bell Alarm W/ Lock-out:

The bell alarm contact is used to indicate the circuit breaker has tripped due to an electrical fault. This device can only be installed in a EntelliGuard G breaker with an EntelliGuard trip unit that has a manual lockout feature. Trip unit catalogs with a "M" in the 10th position indicates the manual lockout feature, for example GGN04L3XMFXXXX. In the case of an over current the bell alarm will be activated and the breaker cannot be re-closed until the reset button on the trip unit has been reset. If the 10th digit on the Trip Unit is A, S, or X then a Trip Unit will also need to be ordered.

Bell Alarm W/ Lock-out

WARNING: Before installing any accessories, turn the breaker OFF, disconnect it from all voltage sources, and discharge the closing springs.

AVERTISSEMENT: Avant d'installer tout accessoire, mettre le disjoncteur en position OFF, le déconnecter de toute tension d'alimentation, et décharger les ressorts d'armement

Use the following procedure to install the Bell Alarm accessory into the circuit breaker.

1. Verify that the rating on the Bell Alarm identification plate matches the voltage rating required for the application, as listed in Table 1.
2. Turn the breaker off and discharge the closing springs by depressing the OFF and ON buttons in the sequence OFF-ON-OFF. Verify that the breaker OFF-ON indicator shows OFF on a green background and that the charge indicator shows DISCHARGE on a white background. If installing in a draw-out type breaker remove breaker from adaptor (cassette) before continuing.
3. Loosen the 6 screws on front cover (fascia) using a posidrive screw driver as shown in Fig 1.B Rotate the charging handle down and slide the front cover over the handle to remove the front cover as shown in Fig. 1.C.



Electrical characteristics Bell Alarm Contact

Table 1. Catalog Numbers and Ratings

AC Ratings	
Voltage	Amps
120V AC	6A
250V AC	6A

Cat no: GBAT1R

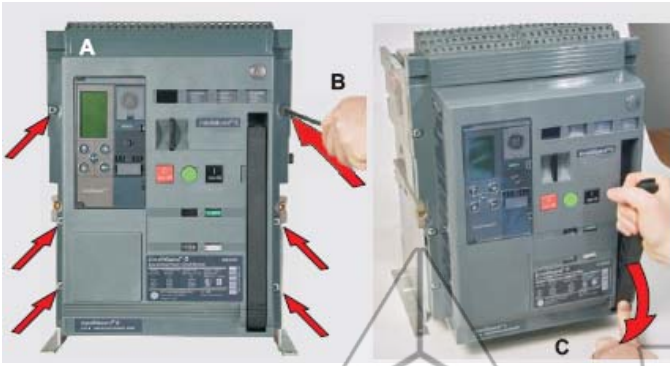


Figure 1. (A) Front Cover (B) Screw Removal (C) Handle Rotation

4. Remove the trip unit from the PMU base.

5. While holding the switch lever, slide the bell alarm contact assembly on the PMU base as shown in Fig. 2.



Figure 2: Assembly of Bell alarm

6. Assemble the 4 screws as shown in Fig. 3.

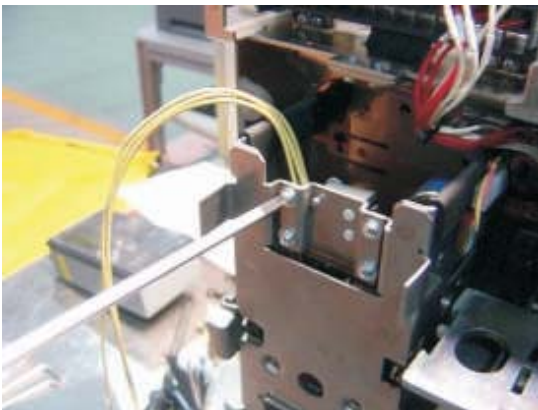


Figure 3: Fixing the screws

7. Using a wire tie, tie the wires on the PMU base wall as shown in Fig. 4.



Figure 4. Assembling wire tie

8. Connect the input wire assembly plugs to the terminals A33, A34 & A35 locations marked on the secondary disconnect block A as shown in Fig. 5.



Figure 5. Assembly of connectors

9. Assemble the Trip Unit back.

10. Rotate the charging handle down and slide the front cover over the handle to assemble the front cover to housing as shown in Fig. 6.

11. Ensure the fascia is aligned properly with the trip unit and the pad lock features of the breaker.

12. Fasten the 6 mounting screws of fascia with the housing using a pozidrive screwdriver. Apply torque of 6 Nm (4.42ft lbs).



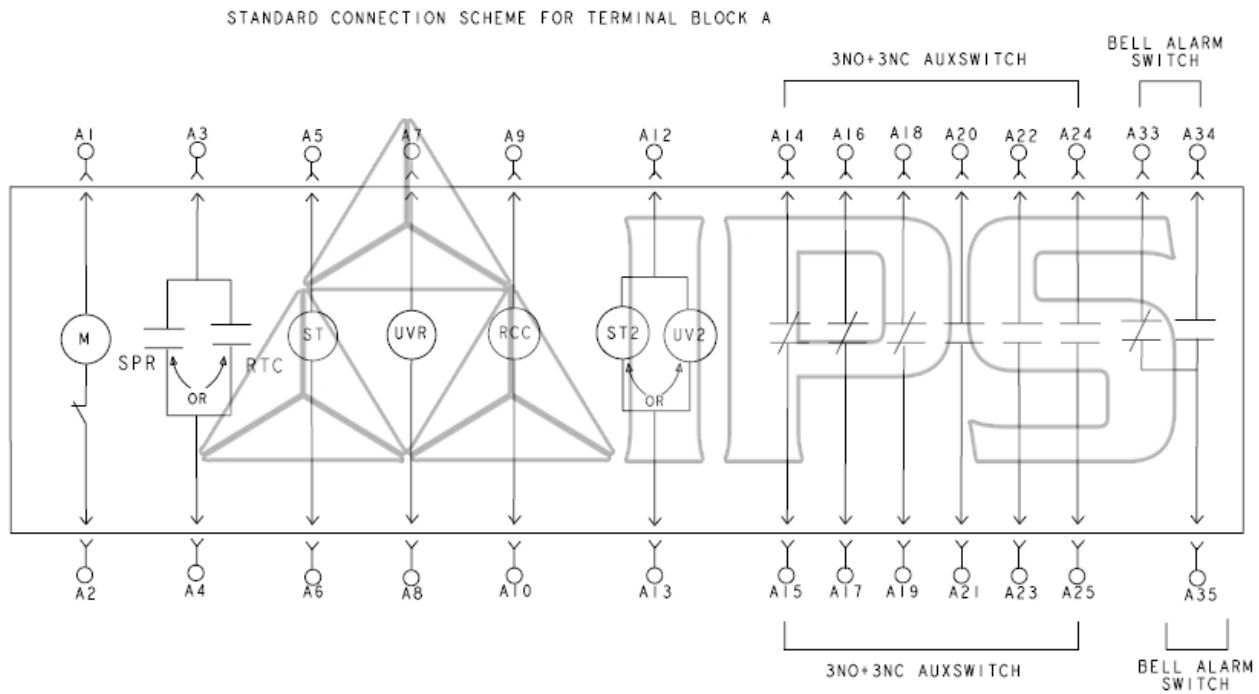
IPS

Figure 6.

store.ips.us

Reference:

Bell Alarm Connection Scheme:



store.ips.us

These instructions do not purport to cover all details or variations in equipment nor, to provide contingency to be met in connection with installation, operation, or maintenance. Should further information be desired, or should particular problems arise which are not covered sufficiently for the purchaser's purposes, the matter should be referred to GE.

GE
 41 Woodford Ave, Plainville, CT 06062
 www.geelectrical.com
 © 2009 General Electric Company



DEH-41409 R2 (05/09)