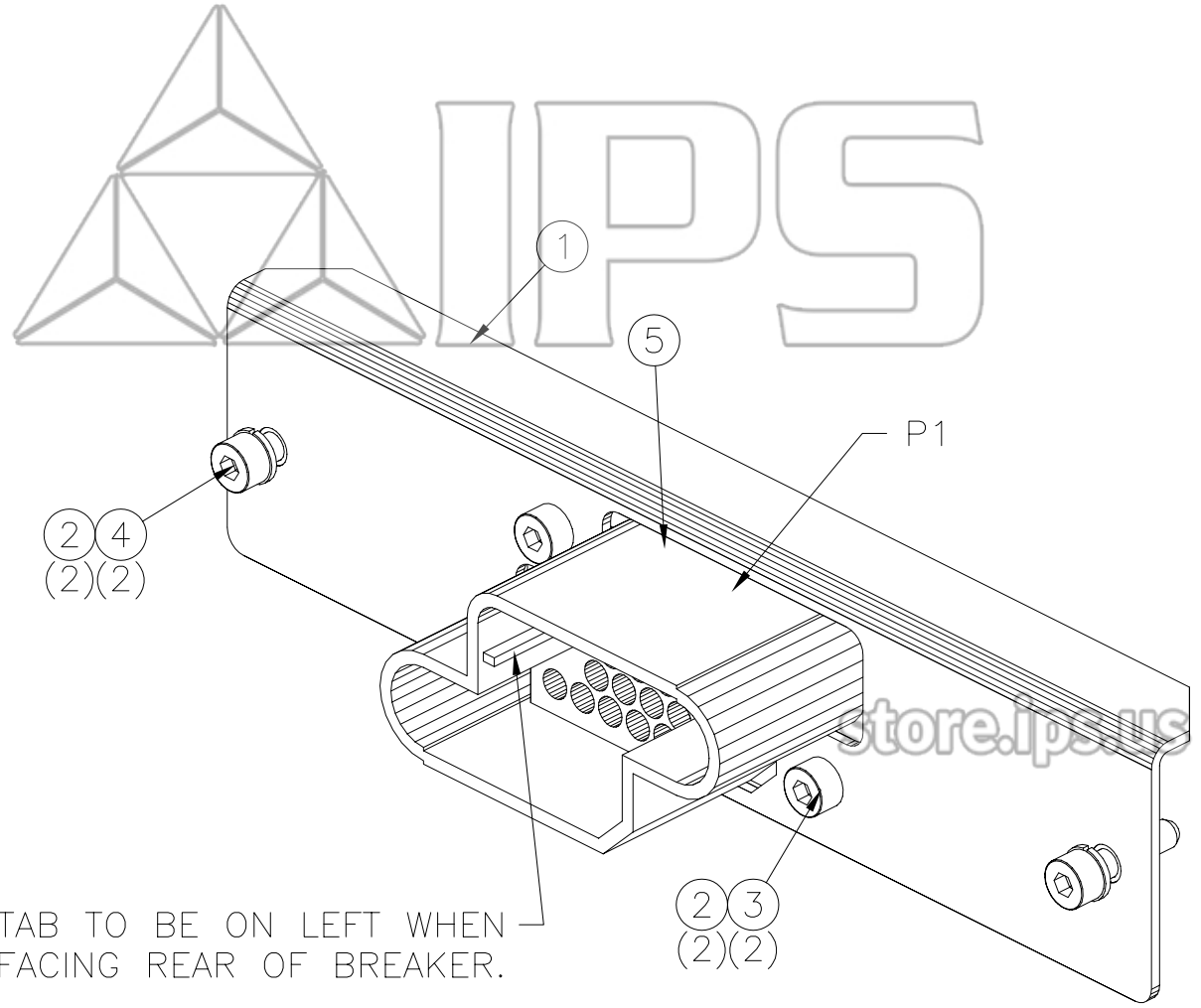


BY	REVISION DESCRIPTION	DATE	REV	BY	DATE	REV	DESCRIPTION
				MKJ			
1	5-7-03 [6369] +L5.						

G00 QTY	ITEM	PART No.	DESCRIPTION
1	1	18057-G00	SEC. PLATE ASSY
4	2	16905-P00	SHCS M4x.7/16
2	3	16960-P00	NILN M4x.7
2	4	16972-P00	LOCKWASHER M4
1	5	18083-G00	STANDARD WIRE BUNDLE




TAB TO BE ON LEFT WHEN FACING REAR OF BREAKER.

# G00 STANDARD BOM WIRING (EU)

DIMENSIONS ARE IN MILLIMETERS

DIMENSIONS IN MILLIMETERS						
GENERAL TOLERANCE UNLESS OTHERWISE SPECIFIED THE FOLLOWING TOLERANCES ARE APPLICABLE						
LINEAR	OVER TO	0.5	30	120	315	1000
	TOL	±	0.1	0.2	0.3	0.5
			0.8	1.2		
ANGULAR						
LENGTH (SHORT)	OVER TO	0	10	50	120	400
	TOL	±	1'	0'30"	0'20"	0'10"

REF	ADVAC (EU)	REV	1	TITLE	STANDARD BOM WIRING	
DATE DRN	4-4-03	DATE REL	4-4-03	DWG NO.	18090	
DRN	MKJ	CKD	PRT	APP'D	PRT	
NEXT ASSY				THIS DRAWING IS THE PROPERTY OF ABB AND CONTAINS PROPRIETARY AND CONFIDENTIAL INFORMATION WHICH MUST NOT BE DUPLICATED USED OR DISCLOSED OTHER THAN AS EXPRESSLY AUTHORIZED BY ABB.		
NEXT ASSY						
ECN No.	6360		ABB Inc. FLORENCE, S.C., U.S.A.			