

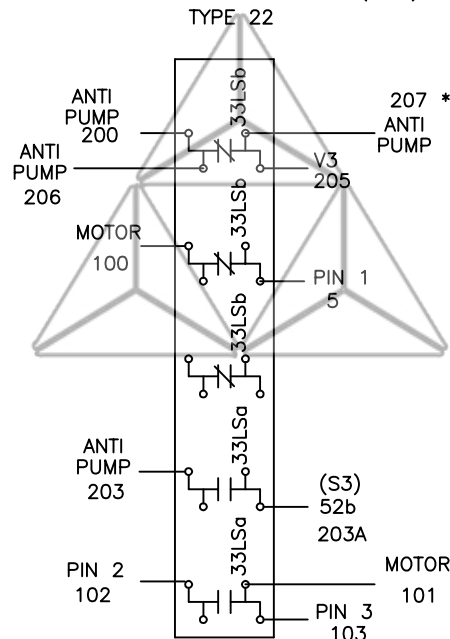
4

3

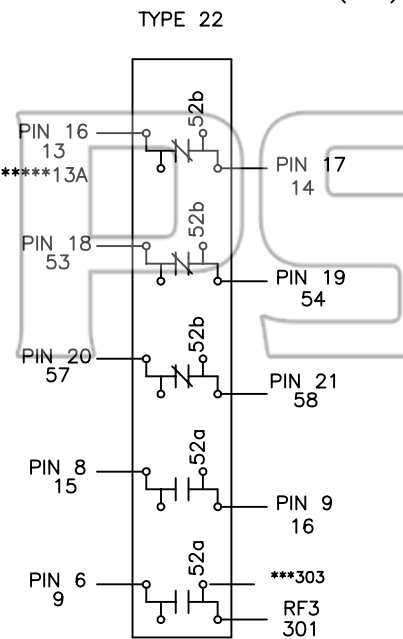
2

1

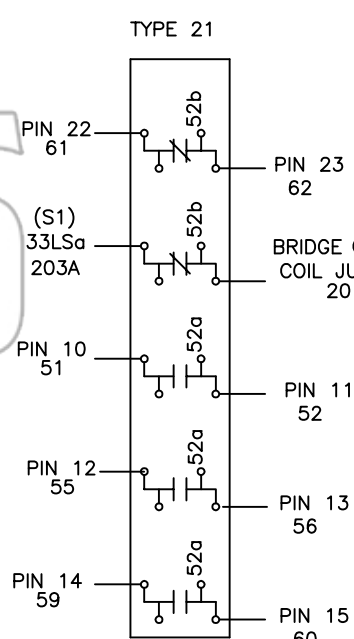
### SPRING CHARGE POSITION SWITCH (S1)



### CIRCUIT BREAKER CONTACT SWITCH (S4)



### CIRCUIT BREAKER CONTACT SWITCH (S3)



### CIRCUIT BREAKER CONTACT SWITCH (S5)

