



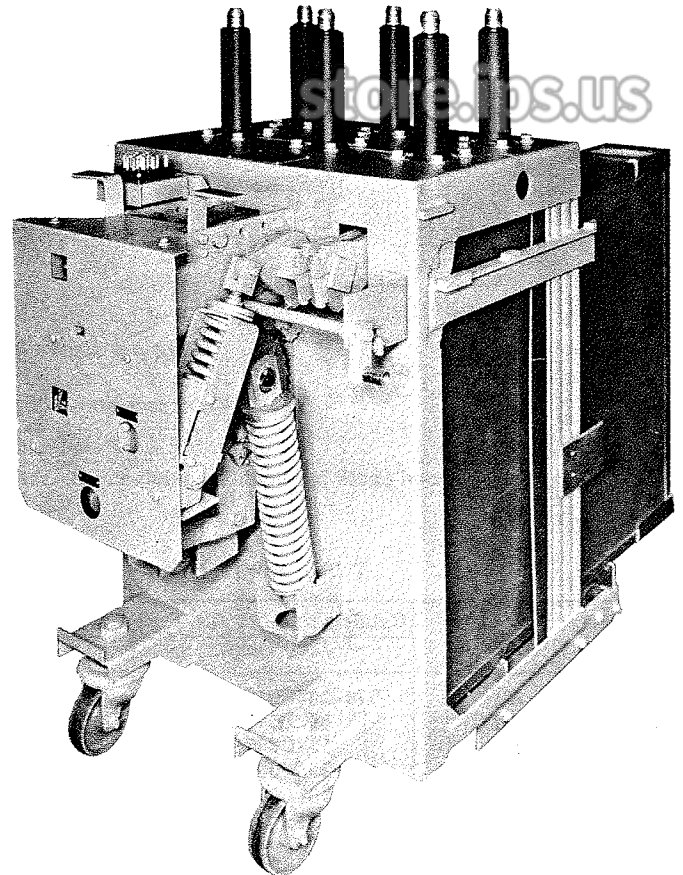
RENEWAL PARTS

Type AM-13.8-750-5,-6 Magne-Blast Circuit Breakers

Note: The ML-13 operating mechanism is not included in this publication.
Refer to GEF-4379.

Ordering Instructions

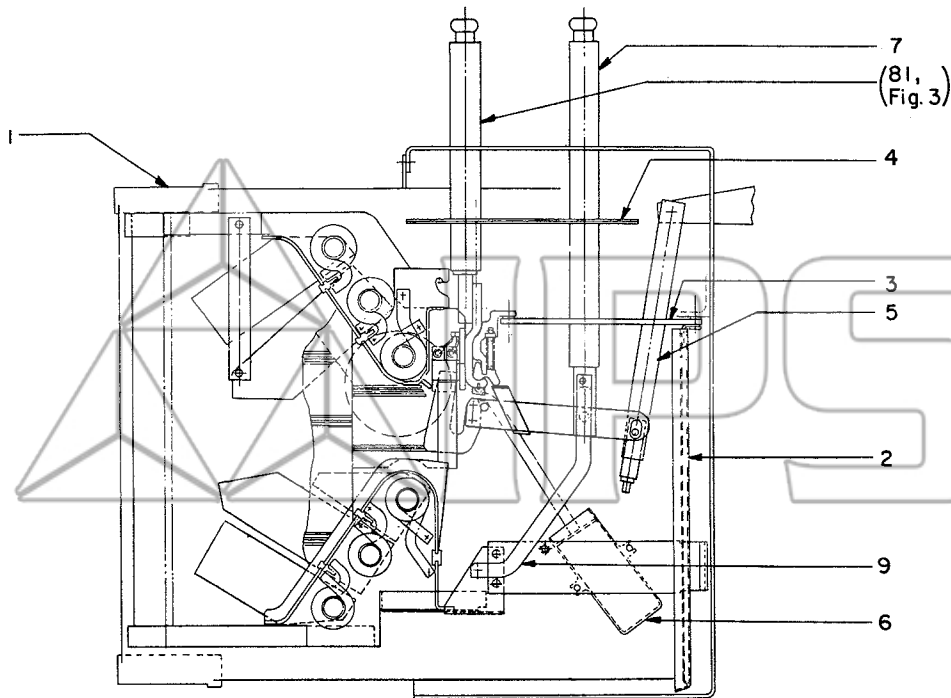
1. Always specify the complete nameplate data of the relay, including complete model No. of relay.
2. Specify the quantity, catalog number (if listed), reference number (if listed) description, and this bulletin number.
3. Standard hardware, such as screws, bolts, nuts, washers, etc., is not listed in this bulletin. Such items should be purchased locally.
4. For prices, refer to the nearest office of the General Electric Company.



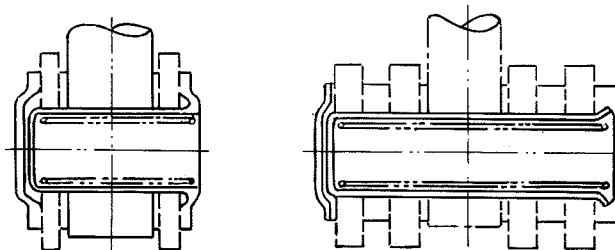
Data is subject to change without notice.

GENERAL  ELECTRIC

TYPE AM-13.8 MAGNE-BLAST CIRCUIT BREAKER



Breaker, Type AM-13.8-750 -5 and -6



(1200 amp)

(2000 amp)

Hinge pin assembly (Ref. No. 8)

Fig. 1. Cross section views of breaker and hinge pin

store.ips.us

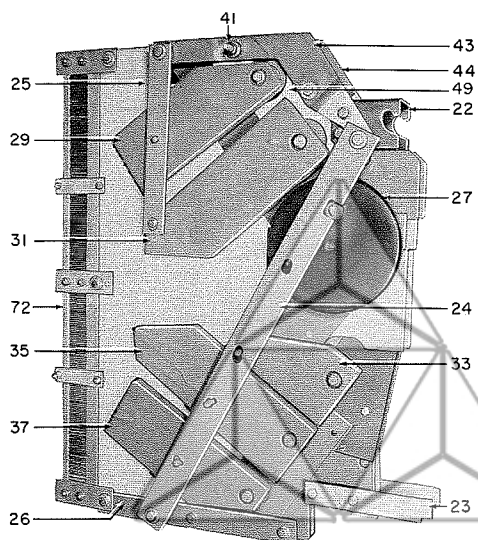
NOTE: For recommended parts for normal maintenance, refer to page 5.

TYPE AM-13.8-750 -5 and -6 BREAKER (Refer to Fig. 1)

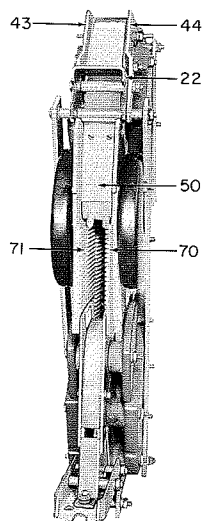
| Ref. No. | Type | Catalog Number for Type AM13.8-750 -5 and -6 | | No. Req'd | Description |
|----------|------------|--|------------------|-----------|--------------------------|
| | | 1200 Amp | 2000 Amp | | |
| 1 | All | 073-265C0176G006 | 073-265C0176G006 | 3 | Box barrier |
| 2 | All | 802B0764G001 | 802B0764G001 | 3 | Vertical barrier |
| 3 | All | 132C2738P004 | 132C2738P005 | 6 | Lower horizontal barrier |
| 4 | All | 258C0614P031 | 258C0614P032 | 6 | Upper horizontal barrier |
| 5 | H, L, F | 281B0708G001 | 281B0708G001 | 3 | Operating rod assembly |
| 5 | HB, LB, FB | 281B0708G007 | 281B0708G007 | 3 | Operating rod assembly |
| 6 | All | 263B0292P002 | 263B0292P002 | 3 | Booster cylinder |
| 7 | All | 845D0123G003 | 958C0683G003 | 3 | Front bushing |
| 8 | All | 898B0282G001 | 898B0282G002 | 3 | Hinge assembly |
| 9 | All | 688C0589P001 | 688C0589P001 | 3 | Connection bar |

TYPE AM-13.8 MAGNE-BLAST CIRCUIT BREAKER

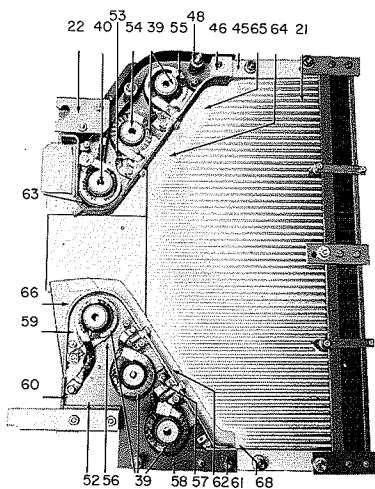
GEF-4438



Assembly complete (Ref. No. 20)



Front view



View with side removed

Fig. 2. Interrupter assembly

INTERRUPTER ASSEMBLY (Refer to Fig. 2)

| Ref. No. | Catalog Number for Type AM13, 8-750 -5 and -6 | No. Req'd | Description |
|----------|---|-----------|-----------------------------------|
| 20 | 073-213X0524G004 | 3 | Interrupter assembly, complete |
| 21 | 264B0100G021 | 3 | Interrupter sides |
| 22 | 132C2721G001 | 3 | Upper support |
| 23 | 132C2721G002 | 3 | Lower support |
| 24 | 132C2738P001 | 6 | Side brace |
| 25 | 132C2738P002 | 6 | Rear brace |
| 26 | 132C2728P015 | 6 | Lower brace |
| 27 | 132C2721G009 | 3 | Pole piece, left |
| *28 | 132C2721G010 | 3 | Pole piece, right |
| 29 | 134C3577G001 | 3 | Pole piece, upper, left |
| *30 | 134C3577G002 | 3 | Pole piece, upper, right |
| 31 | 134C3577G003 | 3 | Pole piece, upper, left |
| *32 | 134C3577G004 | 3 | Pole piece, upper, right |
| 33 | 132C2736G013 | 3 | Pole piece, lower, left |
| *34 | 132C2736G014 | 3 | Pole piece, lower, right |
| 35 | 134C3577G007 | 3 | Pole piece, lower, left |
| *36 | 134C3577G008 | 3 | Pole piece, lower, right |
| 37 | 134C3577G005 | 3 | Pole piece, lower, left |
| *38 | 134C3577G006 | 3 | Pole piece, lower, right |
| 39 | 108B5521G005 | 15 | Core assembly, 2 13/16 in. |
| 40 | 108B5521G004 | 3 | Core assembly, 3 1/16 in. |
| 41 | 414A0102P008 | 3 | Stud |
| *42 | 137A9163P002 | 18 | Bushing |
| 43 | 962C0750P009 | 3 | Interrupter support, upper, left |
| 44 | 962C0750P010 | 3 | Interrupter support, upper, right |
| 45 | 962C0750P003 | 3 | Block |
| 46 | 962C0750P002 | 3 | Dust shield |
| *47 | 152C5933P001 | 3 | Coil support, upper, right |
| 48 | 152C5933P002 | 3 | Coil support, upper, left |
| 49 | 265C0163P009 | 6 | Upper runner insulation |
| 50 | 108B5520P001 | 3 | Insulation plate |
| *51 | 132C2745P011 | 3 | Coil support, lower, right |
| 52 | 132C2745P012 | 3 | Coil support, lower, left |
| 53 | 152C5905G002 | 3 | Coil, upper |
| 54 | 152C5905G006 | 3 | Coil, upper |
| 55 | 152C5905G007 | 3 | Coil, upper |
| 56 | 152C5905G010 | 3 | Coil, lower |
| 57 | 152C5905G012 | 3 | Coil, lower |
| 58 | 152C5905G013 | 3 | Coil, lower |
| 59 | 934D0138G005 | 3 | Runner, lower |
| 60 | 934D0138G006 | 3 | Runner, lower |
| 61 | 934D0138G007 | 3 | Runner, lower |
| 62 | 934D0138G003 | 3 | Runner, lower |
| 63 | 934D0138G001 | 3 | Runner, upper |
| 64 | 934D0138G002 | 3 | Runner, upper |
| 65 | 934D0138G004 | 3 | Runner, upper |
| 66 | 134C3532G002 | 3 | Lower runner barrier, left |
| *67 | 134C3532G003 | 3 | Lower runner barrier, right |
| 68 | 152C5907P006 | 3 | Lower runner shield, left |
| *69 | 152C5907P007 | 3 | Lower runner shield, right |
| 70 | 134C3595G003 | 3 | Throat cooler assembly, right |
| 71 | 134C3595G004 | 3 | Throat cooler assembly, left |
| 72 | 114C5443G003 | 3 | Muffler assembly |

* Not illustrated

TYPE AM-13.8 MAGNE-BLAST CIRCUIT BREAKER

GEF-4438

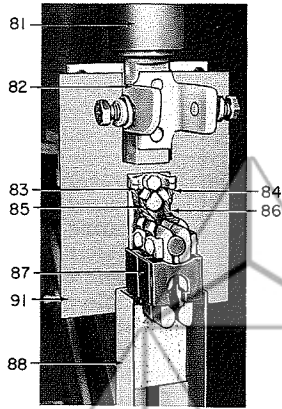


Fig. 3. Rear bushing assembly (Ref. No. 80)

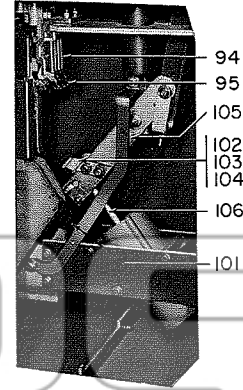


Fig. 4. Contact assembly (Ref. No. 100)

REAR BUSHING ASSEMBLY (Refer to Fig. 3 and 4)

| Ref. No. | Type | Catalog Number for Type AM13.8-750 -5 and -6 | | No. Req'd | Description |
|----------|---------|--|------------------|-----------|----------------------------------|
| | | 1200 Amp | 2000 Amp | | |
| 80 | H, L, F | 073-213X0344G047 | 073-213X0344G048 | 3 | Rear bushing assembly |
| 80 | B | 213X0344G049 | 213X0344G050 | 3 | Rear bushing assembly |
| 81 | All | 845D0124G003 | 958C0684G005 | 3 | Bushing |
| 82 | All | 619C0443P017 | 619C0443P007 | 3 | Interrupter support |
| 83 | All | 208A8017G001 | 208A8017G001 | 3 | Flexible connector, long, left |
| 84 | All | 208A8017G002 | 208A8017G002 | 3 | Flexible connector, long, right |
| 85 | All | 208A8017G003 | 208A8017G003 | 3 | Flexible connector, short, left |
| 86 | All | 208A8017G004 | 208A8017G004 | 3 | Flexible connector, short, right |
| 87 | All | 213X0344G032 | 213X0344G032 | 3 | Stationary arcing contact |
| 88 | All | 208A8016G002 | 208A8016G002 | 3 | Throat barrier assembly |
| *89 | All | 06445087P004 | 06445087P004 | 3 | Buffer |
| *90 | All | 06557243P002 | 06557243P002 | 6 | Clamp for buffer |
| 91 | All | 132C2722P005 | 132C2722P004 | 3 | Baffle |
| *92 | Δ | N312P2542B | N312P2542B | 18 | Spring guide |
| *92 | B | N312P2542B | N312P2542B | 24 | Spring guide |
| *93 | Δ | 962C0778P007 | 962C0778P007 | 3 | Spring retainer |
| *93 | B | 828C0782P005 | 828C0782P005 | 3 | Spring retainer |
| 94 | Δ | 121A5964P001 | 121A5964P001 | 18 | Primary contact finger spring |
| 94 | B | 121A5964P001 | 121A5964P001 | 24 | Primary contact finger spring |
| 94A | Δ | 03663094P005 | 03663094P005 | 18 | Spacer |
| 94A | B | 03663094P005 | 03663094P005 | 24 | Spacer |
| 95 | Δ | 114C5382P002 | 114C5382P002 | 18 | Primary contact finger |
| 95 | B | 114C5382P002 | 114C5382P002 | 24 | Primary contact finger |

*Not illustrated

Δ All except breakers with "B" in suffix

CONTACT ASSEMBLY (Refer to Fig. 4)

| Ref. No. | Type | Catalog Number for Type AM13.8-750 -5 and -6 | | No. Req'd | Description |
|----------|------|--|------------------|-----------|--------------------------|
| | | 1200 Amp | 2000 Amp | | |
| 100 | Δ | 073-213X0343G156 | 073-213X0343G157 | 3 | Contact assembly |
| 100 | B | 213X0343G158 | 213X0343G159 | 3 | Contact assembly |
| 101 | All | 227A5306G001 | 227A5306G001 | 3 | Movable arcing contact |
| 102 | Δ | 114C5382P004 | 114C5382P004 | 6 | Movable primary contact |
| 103 | B | 134A9164P003 | 137A9164P003 | 6 | Movable primary contact |
| 104 | B | 137A9164P004 | 137A9164P004 | 6 | Movable primary contact |
| 105 | All | 258C0666P007 | 258C0666P007 | 6 | Contact arm |
| 105 | All | ----- | 258C0666P006 | 6 | Contact arm |
| 106 | All | 213X0343G094 | 213X0343G094 | 3 | Tube and piston assembly |

Δ All except breakers with "B" in suffix

TYPE AM-13.8 MAGNE-BLAST CIRCUIT BREAKER

RECOMMENDED PARTS FOR NORMAL MAINTENANCE

| Fig. No. | Ref. No. | Type | Catalog Number for Type AM13.8-750 -5 and -6 | | No. Req'd. | Description |
|----------|----------|------------|--|------------------|------------|----------------------------------|
| | | | 1200 Amp | 2000 Amp | | |
| 1 | 6 | All | 073-263B0292P002 | 073-263B0292P002 | 3 | Booster cylinder |
| 1 | 5 | H, L, F | 165B7903G001 | 165B7903G001 | 3 | Operating rod assembly |
| 1 | 5 | HB, LB, FB | 165B7903G007 | 165B7903G007 | 3 | Operating rod assembly |
| 3 | 83 | All | 208A8017G001 | 208A8017G001 | 3 | Flexible connector, long, left |
| 3 | 84 | All | 208A8017G002 | 208A8017G002 | 3 | Flexible connector, long, right |
| 3 | 85 | All | 208A8017G003 | 208A8017G003 | 3 | Flexible connector, short, left |
| 3 | 86 | All | 208A8017G004 | 208A8017G004 | 3 | Flexible connector, short, right |
| 3 | 88 | All | 208A8016G002 | 208A8016G002 | 3 | Throat barrier assembly |
| 3 | 87 | All | 213X0344G032 | 213X0344G032 | 3 | Stationary arcing contact |
| 4 | 94 | Δ | 121A5964P001 | 121A5964P001 | 18 | Primary contact finger spring |
| 4 | 94 | B | 121A5964P001 | 121A5964P001 | 24 | Primary contact finger spring |
| 4 | *94A | Δ | 03663094P005 | 03663094P005 | 18 | Spacer |
| 4 | *94A | B | 03663094P005 | 03663094P005 | 24 | Spacer |
| 4 | 95 | Δ | 114C5382P002 | 114C5382P002 | 18 | Primary contact finger |
| 4 | 95 | B | 114C5382P002 | 114C5382P002 | 24 | Primary contact finger |
| 4 | 102 | Δ | 114C5382P004 | 114C5382P004 | 6 | Movable primary contact |
| 4 | 103 | B | 137A9164P003 | 137A9164P003 | 6 | Movable primary contact |
| 4 | 104 | B | 137A9164P004 | 137A9164P004 | 6 | Movable primary contact |
| 4 | 101 | All | 227A5306G001 | 227A5306G001 | 3 | Movable arcing contact |
| 4 | 106 | All | 213X0343G094 | 213X0343G094 | 3 | Tube and piston assembly |
| 2 | 70 | All | 134C3595G003 | 134C3595G003 | 3 | Throat cooler assembly, right |
| 2 | 71 | All | 134C3595G004 | 134C3595G004 | 3 | Throat cooler assembly, left |
| 2 | 66 | All | 134C3532G002 | 134C3532G002 | 3 | Lower runner barrier, right |
| 2 | *67 | All | 134C3532G003 | 134C3532G003 | 3 | Lower runner barrier, left |
| 2 | 49 | All | 265C0163P009 | 265C0163P009 | 6 | Upper runner insulation |
| 2 | 68 | All | 152C5907P006 | 152C5907P006 | 3 | Lower runner shield, left |
| 2 | *69 | All | 152C5907P007 | 152C5907P007 | 3 | Lower runner shield, right |
| 2 | 50 | All | 108B5520P001 | 108B5520P001 | 3 | Insulation plate |

*Not illustrated.

Δ All except breakers with "B" in suffix.

store.ips.us



store.ips.us

GENERAL ELECTRIC COMPANY • BREAKER PLANT OPERATION • PHILADELPHIA, PA 19142

11-84 (1000)

GENERAL  ELECTRIC

Courtesy of store.ips.us