



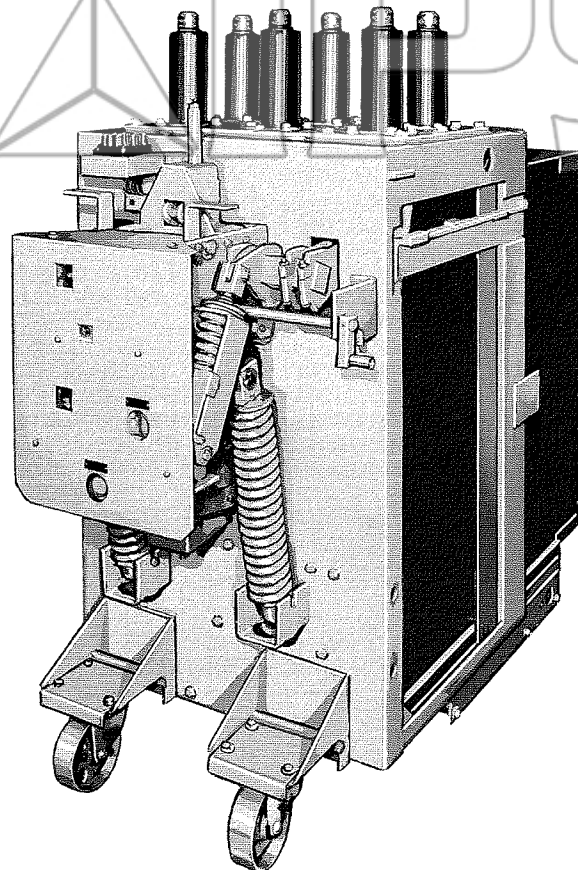
RENEWAL PARTS

MAGNE-BLAST CIRCUIT BREAKER

TYPE AM-13.8-750-4C and -4CB

TYPE AM-13.8-750-4H and -4HB

NOTE: The ML-13 Mechanism is not included in this publication.
Refer to GEF-4379 for ML-13 Mechanism renewal parts.



store.ips.us

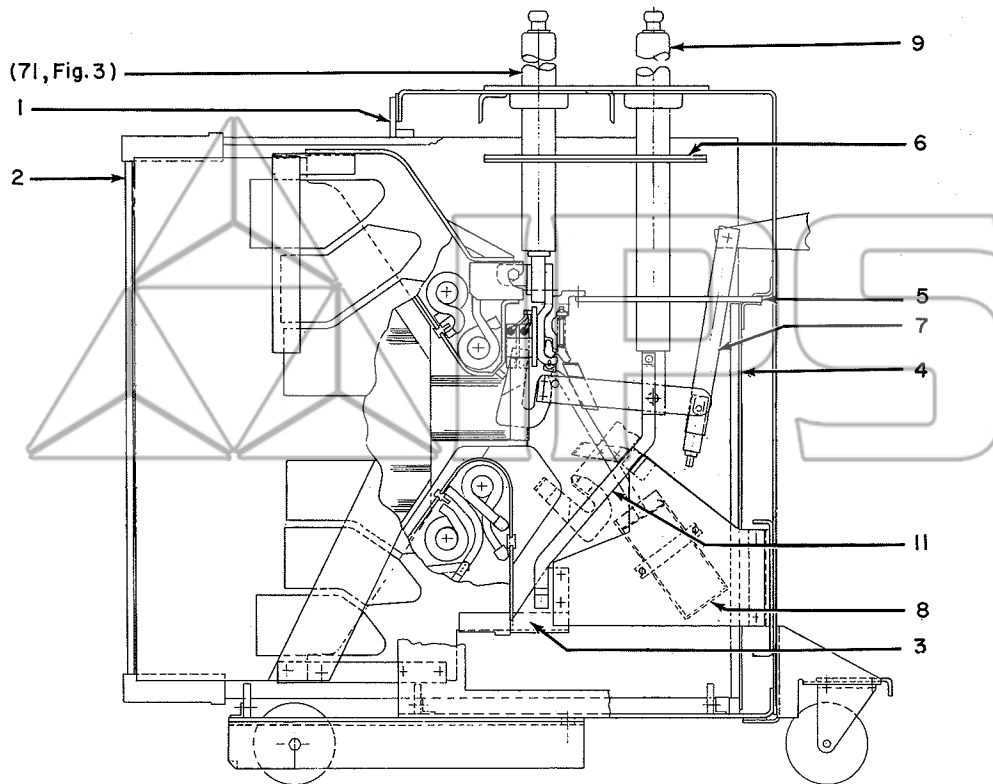
ORDERING INSTRUCTIONS

1. Always specify the complete nameplate data of both the breaker and the mechanism.
2. Specify the quantity, catalog number (if listed), reference number (if listed), and description of each part ordered, and this bulletin number.
3. Standard hardware, such as screws, bolts, nuts, washers, etc., is not listed in this bulletin. Such items should be purchased locally.
4. For prices, refer to the nearest office of the General Electric Company.

When ordering renewal parts, give quantity, catalog number, description of each item required, and complete nameplate reading.

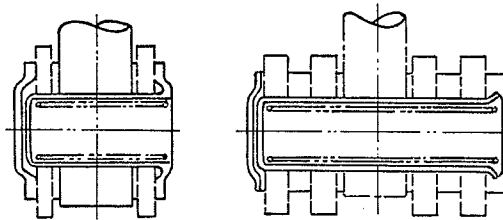
GENERAL  **ELECTRIC**

TYPE AM-13.8 MAGNE-BLAST CIRCUIT BREAKER



Breaker, Type AM-13.8-750

store.ips.us



(1200 Amps) (2000 Amps)
Hinge pin assembly (Ref. No. 10)

Fig. 1. Cross section views of breaker and hinge pin

NOTE: For recommended parts for normal maintenance, refer to page 5.

TYPE AM-13.8-750 BREAKER (Refer to Fig. 1)

Ref. No.	Type	Catalog Number for Type AM-13.8-750		No. Req'd	Description
		1200 Amp	2000 Amp		
1	All	073-265C0151P029	073-265C0151P029	3	Box barrier catch
2	All	619C0419G008	619C0419G008	3	Box barrier
3	All	828C0864G006	828C0864G006	3	Arc chute clamp
4	All	108B5544G001	108B5544G001	3	Vertical barrier
5	All	688C0586P021	688C0586P013	6	Lower horizontal barrier
6	All	258C0614P031	258C0614P032	6	Upper horizontal barrier
7	Δ	281B0708G001	281B0708G001	3	Operating rod assembly
7	B	281B0708G007	281B0708G007	3	Operating rod assembly
8	All	263B0292P002	263B0292P002	3	Booster cylinder
9	All	845D0123G004	265C0188G007	3	Front bushing
10	All	898B0282G001	898B0282G002	3	Hinge assembly
11	All	265C0160P025	265C0160P025	3	Connection bar

Δ All except breakers with "B".

TYPE AM-13.8 MAGNE-BLAST CIRCUIT BREAKER

GEF-4437

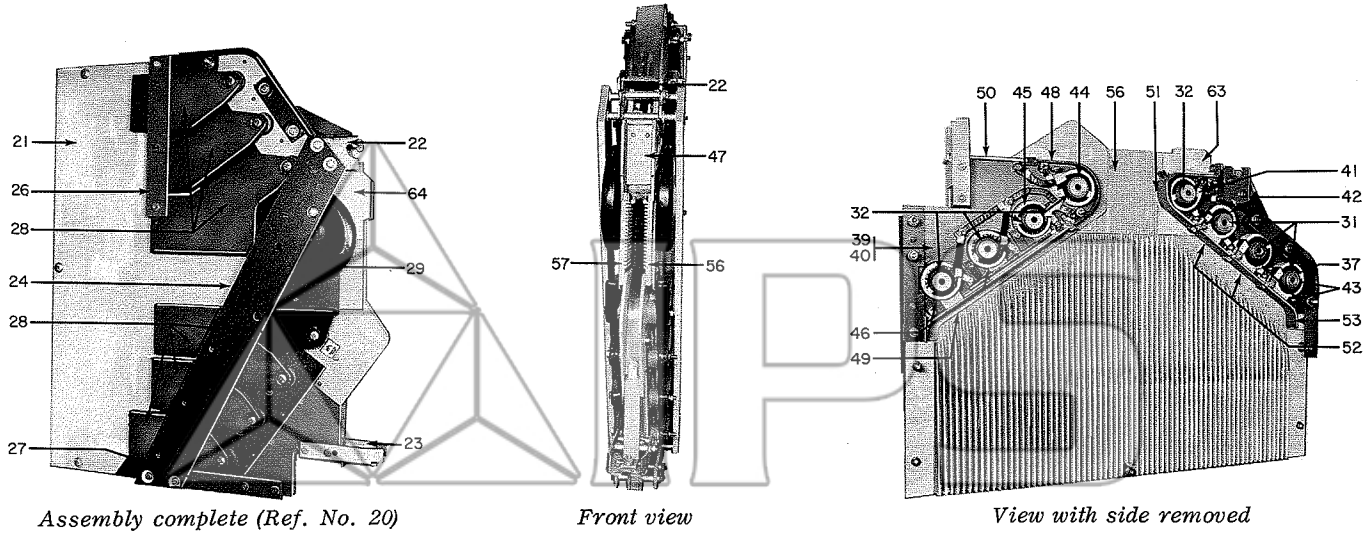


Fig. 2. Interrupter assembly

INTERRUPTER ASSEMBLY (Refer to Fig. 2)

Ref. No.	Type	Catalog Number for Type AM-13,8-750	No. Req'd	Description
20	All	073-213X522G001	3	Interrupter assembly, complete
21	All	264B0100G019	3	Interrupter sides
22	All	132C2721G001	3	Upper support
23	All	132C2721G002	3	Lower support
24	All	132C2722P002	3	Side brace, left
*25	All	132C2722P003	3	Side brace, right
26	All	132C2722P001	6	Rear brace
27	All	132C2722P007	6	Lower brace
28	All	132C2724G001	3	Pole pieces
29	All	132C2721G003	3	Upper pole piece, left
*30	All	132C2721G004	3	Upper pole piece, right
31	All	108B5521G007	21	Core assembly, 2 15/16 in.
32	All	108B5521G010	3	Core assembly, 3 3/16 in.
*33	All	414A0102P008	3	Stud
*34	All	137A9163P002	24	Bushing
*35	All	962C0750P003	3	Block
*36	All	265C0153P009	6	Upper runner insulation
37	All	152C5934P001	3	Coil support, upper
*38	All	152C5934P002	3	Coil support, upper
39	All	619C0489P009	3	Coil support, lower
40	All	619C0489P010	3	Coil support, lower
41	All	152C5905G002	3	Coil, upper
42	All	152C5905G005	3	Coil, upper
43	All	152C5905G007	6	Coil, upper
44	All	152C5905G010	3	Coil, lower
45	All	152C5905G019	3	Coil, lower
46	All	152C5905G020	6	Coil, lower
47	All	108B5520P008	3	Insulation plate
48	All	132C2708G005	3	Runner, lower #1
49	All	132C2708G008	3	Runner, lower #2
50	All	269C0879G006	3	Runner, lower Conn.
51	All	132C2708G002	3	Runner, upper #1
52	All	132C2708G006	6	Runner, upper #2, #3
53	All	132C2708G007	3	Runner, upper #4
*54	All	456A0891P210	3	Sleeve
*55	All	802B0735P003	6	Lower insulation
56	All	132C2720G001	3	Throat cooler assembly, right
57	All	132C2720G002	3	Throat cooler assembly, left
*58	All	132C2722P011	3	Lower runner shield
*59	All	132C2722P012	3	Lower runner shield, right
*60	All	132C2722P013	3	Lower runner shield, left
*61	All	132C2722P009	3	Lower runner barrier, right
*62	All	132C2722P010	3	Lower runner barrier, left
63	All	208A8015G001	3	Upper runner barrier, right
64	All	208A8015G002	3	Upper runner barrier, left

* Not illustrated

TYPE AM-13.8 MAGNE-BLAST CIRCUIT BREAKER

GEF-4437

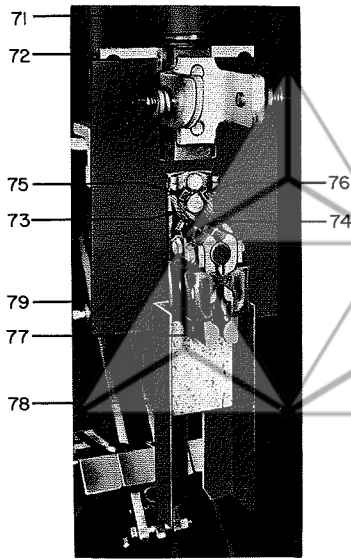


Fig. 3. Rear bushing assembly (Ref. No. 70)

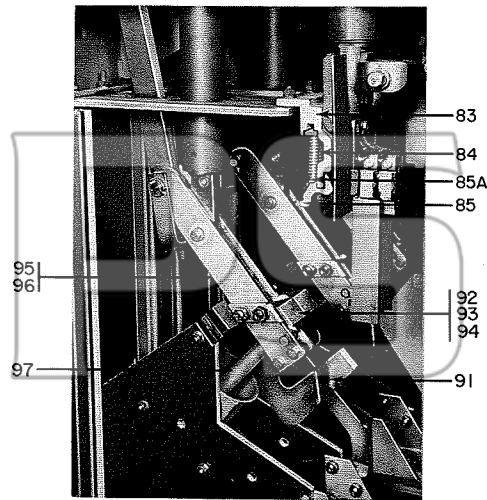


Fig. 4. Contact arm assembly (Ref. No. 90)

REAR BUSHING ASSEMBLY (Refer to Fig. 3 and 4)

Ref. No.	Type	Catalog Number for Type AM-13.8-750		No. Req'd	Description
		1200 Amp	2000 Amp		
70	All	073-213X344G013	073-213X344G014	3	Rear bushing assembly
71	All	845D0124G007	132C2725G001	3	Bushing
72	All	962C0778P011	962C0778P011	3	Contact support
73	All	208A8017G001	208A8017G001	3	Flexible connector, left, long
74	All	208A8017G002	208A8017G002	3	Flexible connector, right, long
75	All	208A8017G003	208A8017G003	3	Flexible connector, left, short
76	All	208A8017G004	208A8017G004	3	Flexible connector, right, short
77	All	213X0344G031	213X0344G031	3	Stationary arcing contact
78	All	208A8016G001	208A8016G001	3	Throat barrier assembly
79	All	132C2722P005	132C2722P004	3	Baffle
*80	All	6445087P004	6445087P004	3	Buffer
*81	All	6557243P002	6557243P002	6	Clamp for buffer
*82	All	N312P2542B	N312P2542B	18	Spring guide
83	All	962C0778P007	962C0778P007	3	Spring retainer
84	H, C	121A5964P001	121A5964P001	18	Primary contact finger spring
84	B	121A5964P001	121A5964P001	24	Primary contact finger spring
85	H, C	114C5382P002	114C5382P002	18	Primary contact finger
85	B	114C5382P002	114C5382P002	24	Primary contact finger
85A	H, C	3663094P005	3663094P005	18	Spacer
85A	B	3663094P005	3663094P005	24	Spacer

* Not illustrated

CONTACT ASSEMBLY (Refer to Fig. 4)

Ref. No.	Type	Catalog Number for Type AM-13.8-750		No. Req'd	Description
		1200 Amp	2000 Amp		
90	All	073-213X343G086	073-213X343G087	3	Contact assembly
91	All	227A5306G001	227A5306G001	3	Movable arcing contact
92	H, C	114C5382P004	114C5382P004	6	Movable primary contact
93	B	137A9164P003	137A9164P003	6	Movable primary contact
94	B	137A9164P004	137A9164P004	6	Movable primary contact
95	All	258C0666P007	258C0666P007	6	Contact arm
96	All	-----	258C0666P006	6	Contact arm
97	All	213X343G093	213X343G093	3	Tube and piston assembly

* Not illustrated

TYPE AM-13.8 MAGNE-BLAST CIRCUIT BREAKER

RECOMMENDED PARTS FOR NORMAL MAINTENANCE

Fig. No.	Ref. No.	Type	Catalog Number for Type AM-13.8-750		No. Req'd	Description
			1200 Amp	2000 Amp		
1	8	All	073-263B0292P002	073-263B0292P002	3	Booster cylinder
1	7	Δ	281B0708G001	281B0708G001	3	Operating rod assembly
1	7	B	281B0708G007	281B0708G007	3	Operating rod assembly
3	73	All	208A8017G001	208A8017G001	3	Flexible connector, left, long
3	74	All	208A8017G002	208A8017G002	3	Flexible connector, right, long
3	75	All	208A8017G003	208A8017G003	3	Flexible connector, left, short
3	76	All	208A8017G004	208A8017G004	3	Flexible connector, right, short
3	78	All	208A8016G001	208A8016G001	3	Throat barrier assembly
3	77	All	213X0344G032	213X0344G032	3	Stationary arcing contact
4	84	H, C	121A5964P001	121A5964P001	18	Primary contact finger spring
4	84	B	121A5964P001	121A5964P001	24	Primary contact finger spring
4	85	H, C	114C5382P002	114C5382P002	18	Primary contact finger
4	85	B	114C5382P002	114C5382P002	24	Primary contact finger
4	85A	H, C	3663094P005	3663094P005	18	Spacer
4	85A	B	3663094P005	3663094P005	24	Spacer
4	92	H, C	114C5382P004	114C5382P004	6	Movable primary contact
4	93	B	137A9164P003	137A9164P003	6	Movable primary contact
4	94	B	137A9164P004	137A9164P004	6	Movable primary contact
4	97	All	213X0343G093	213X0343G093	3	Tube and piston assembly
2	63	All	208A8015G001	208A8015G001	3	Upper runner barrier, right
2	64	All	208A8015G002	208A8015G002	3	Upper runner barrier, left
2	56	All	132C2720G001	132C2720G001	3	Throat cooler assembly, right
2	57	All	132C2720G002	132C2720G002	3	Throat cooler assembly, left
2	*61	All	132C2722G009	132C2722G009	3	Lower runner barrier, right
2	*62	All	132C2722G010	132C2722G010	3	Lower runner barrier, left
2	*59	All	132C2722P012	132C2722P012	3	Lower runner shield, right
2	*60	All	132C2722P013	132C2722P013	3	Lower runner shield, left
2	47	All	108B5520P008	108B5520P008	3	Insulation plate
2	*36	All	265C0153P009	265C0153P009	6	Upper runner insulation

ΔAll except breakers with "B"

* Not illustrated



GENERAL ELECTRIC COMPANY
SWITCHGEAR BUSINESS DEPARTMENT
PHILADELPHIA, PA 19142

store.ips.us

GENERAL  ELECTRIC