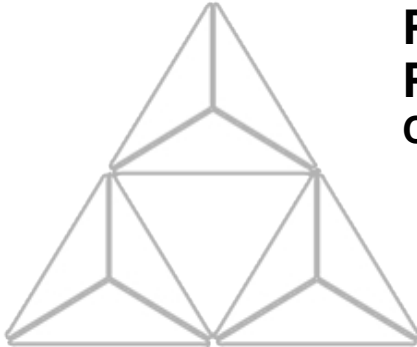


Instruction Bulletin

44021-997-01
February 1999
Middletown, OH, USA

DS/DSL and DSII/DSLII Low Voltage Power Circuit Breaker Replacement Parts Class 6035

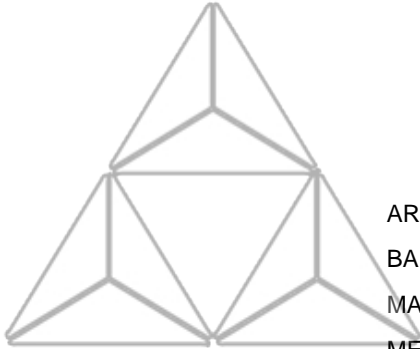


IPS



SQUARE D

CONTENTS



DSII AND DSLII LOW VOLTAGE POWER CIRCUIT BREAKERS 1
 Ordering instructions 2
POLE UNITS 3
 Type DS-206, DSL-206, DSII-308, DSLII-308 3
 Type DS-206E, DS-206H, DS-206S, DS-416, DSL-416,
 DS-416H, DS-416S, DS-420, DSII-508, DSII-608,
 DSII-516, DSII-616, DSII-620, DSLII-516 4
 Type DS-632 and DSII-632 5
 Type DS-840 and DSII-840 6
ARC CHUTES 7
BARRIERS 8
MAIN DISCONNECT CONTACT ASSEMBLY 9
MECHANISM 10
MECHANISM AND RELATED PARTS 10
CONTROL COMPONENTS 12
AUTOMATIC TRIPPING STSTEMS 14
 Current Sensors 16
CURRENT LIMITING BREAKERS 17
ACCESSORIES AND OTHER PARTS 18
SWITCHGEAR CELL PROVISIONS AND UPGRADES 20
RECOMMENDED SPARE PARTS FOR STOCK 20

store.ips.us

**DSII AND DSLII
 LOW VOLTAGE
 POWER CIRCUIT
 BREAKERS**

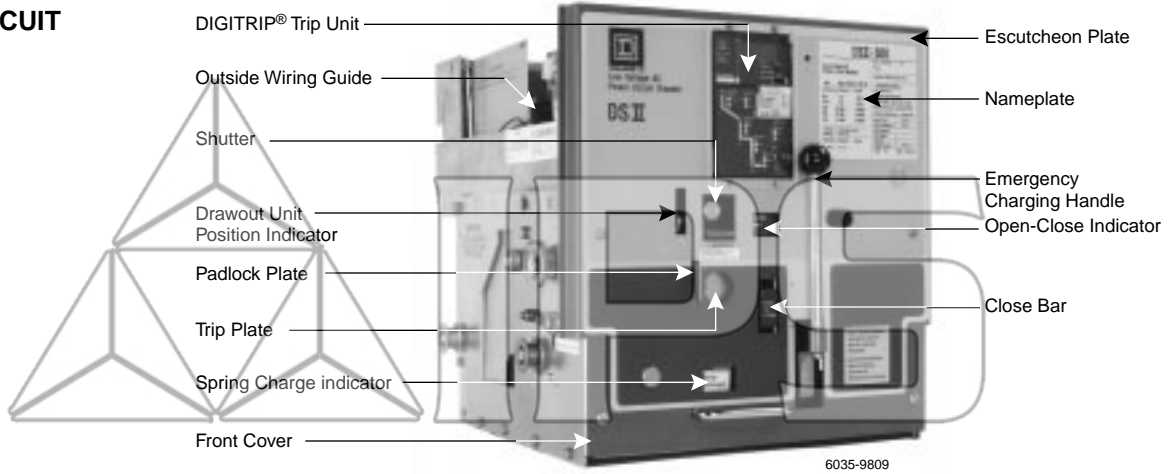


Figure 1: DSII-308 Breaker Front View

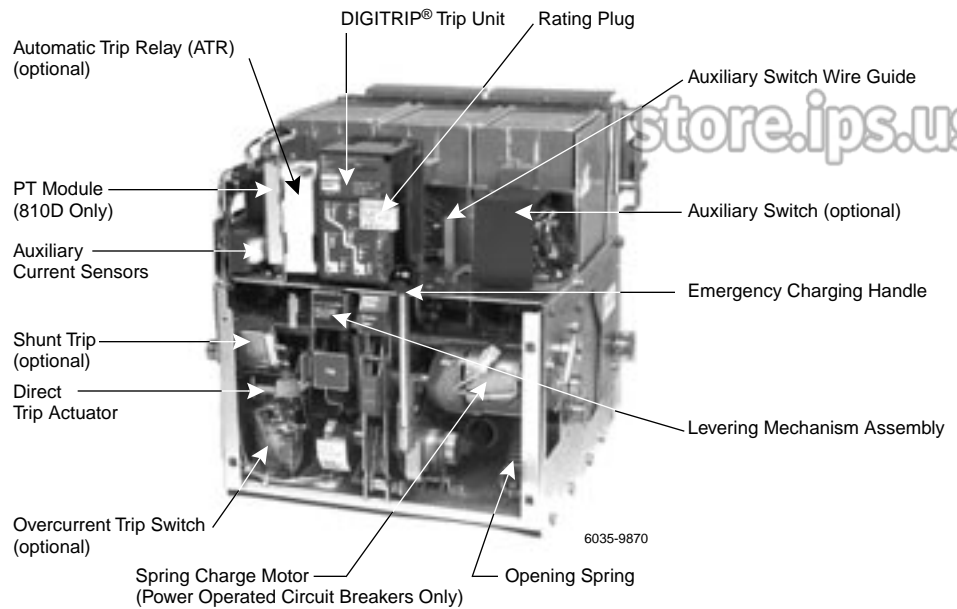


Figure 2: DS-416 Breaker with Front Cover Removed

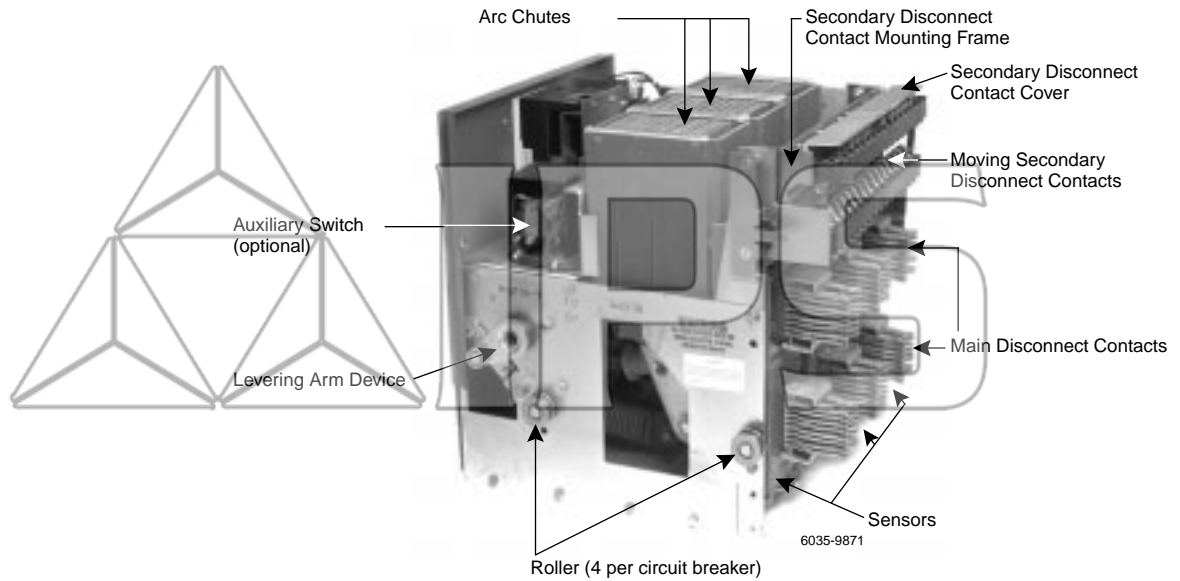


Figure 3: DS-416 Breaker Side View without Barriers

**ORDERING
INSTRUCTIONS**

1. Check the nameplate to identify the type of breaker you have.
2. Identify the part(s) from the photos shown.
3. Determine the style number for the required parts.
4. Specify the quantity required.
5. Contact your local Square D Distributor to place your order.

store.ips.us

POLE UNITS

Type DS-206,
DSL-206, DSII-308,
DSLII-308

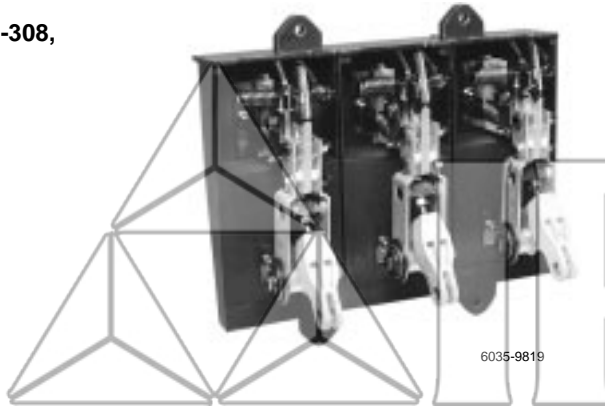


Figure 4: DS-206 and DSII-308 Pole Unit Assembly (Front View)



Figure 6: DS-206 and DSII-308 Lower Stud Assembly



Figure 5: DS-206 and DSII-308 Pole Unit Assembly (Rear View)



Figure 7: DS-206 and DSII-308 Upper Stud Assembly

Description	Figure Number	Number Required Per Breaker	DS-206 and DSII-308 Style Number	DSL-206 and DSLII-308 Style Number
Three Pole Unit Assembly	4, 5	1	140D152G05	140D152G07
A three pole unit assembly includes: Molded Base			①	①
Lower Stud Assembly	6	3	591C652G01	591C652G03
Upper Stud Assembly	7	3	591C653G01	591C653G03

① Only available in a three pole unit assembly.

Type DS-206E,
DS-206H, DS-206S,
DS-416, DSL-416,
DS-416H, DS-416S,
DS-420, DSII-508,
DSII-608, DSII-516,
DSII-616, DSII-620,
DSLII-516

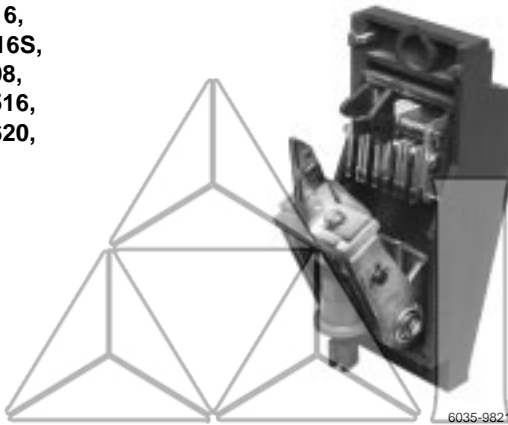


Figure 8: DS-416 Pole Unit Assembly (Front View)



Figure 10: DS-416 Lower Stud Assembly



Figure 9: DS-416 Pole Unit Assembly (Rear View)



Figure 11: DS-416 Upper Stud Assembly

Description	Figure No.	No. Req'd Per Breaker	DS-206H, DS-206S ① DS-416, DSII-508 DSII-516 Style Number	DSL-416 DSLII-516 Style Number	DS-206E, DS-416H DS-416S, DS-420 DSII-608, DSII616 DSII-620 Style Number
Single Pole Unit Assembly	8, 9	3	151D064G01	151D065G01	151D065G02
A single pole unit includes: Molded Base			②	②	②
Lower Stud Assembly	10	3	126D298G06	139D633G04	139D633G05
Upper Stud Assembly	11	3	591C750G02	139D635G01	139D635G02

① Only available in a single pole unit assembly.
② This is a direct replacement pole unit. It is different in appearance than the original.

Type DS-632 and
DSII-632

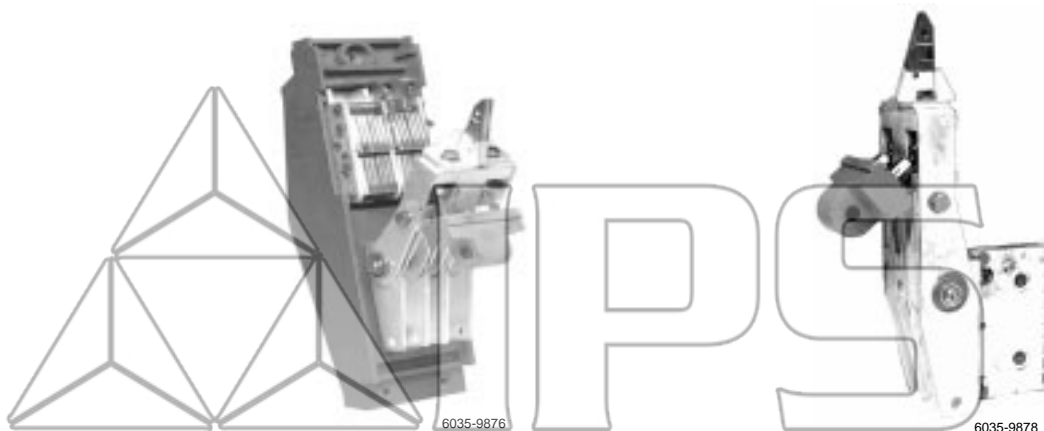


Figure 12: DS-632 and DSII-632 Pole Unit Assembly (Front View)

Figure 14: DS-632 and DSII-632 Lower Stud Assembly



Figure 13: DS-632 and DSII-632 Pole Unit Assembly (Rear View)



Figure 15: DS-632 and DSII-632 Upper Stud Assembly

Description	Figure Number	Number Required Per Breaker	DS-632, DSII-632 Style Number
Single Pole Unit Assembly	12, 13	3	567F962G01
A single pole unit assembly includes: Molded Base			①
Lower Stud Assembly	14	3	140D091G05
Upper Stud Assembly	15	3	126D299G02

① Only available in a single pole unit assembly.

Type DS-840 and
DSII-840

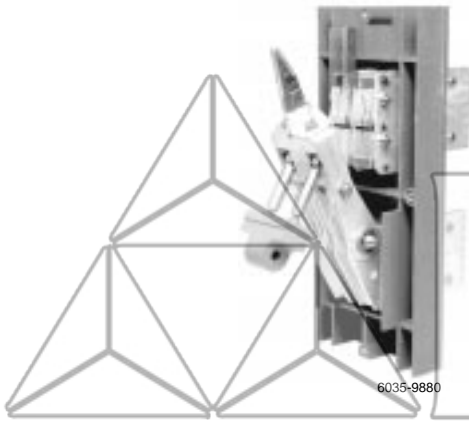


Figure 16: DS-840 and DSII-840 Pole Unit Assembly (Front View)

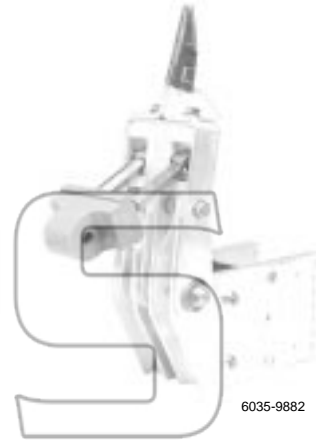


Figure 18: DS-840 and DSII-840 Lower Stud Assembly



Figure 17: DS-840 and DSII-840 Pole Unit Assembly (Rear View)

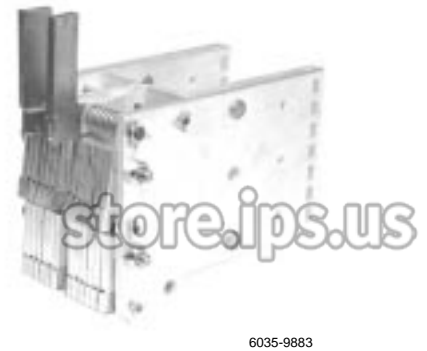


Figure 19: DS-840 and DSII-840 Upper Stud Assembly

Description	Figure	Number Required Per Breaker	DS-840, DSII-840 Style Number
Single Pole Unit Assembly	16, 17	3	567F991G03
A single pole unit assembly includes: Molded Base			①
Lower Stud Assembly	18	3	140D778G01
Upper Stud Assembly	19	3	140D779G01

① Only available in a single pole unit assembly.

ARC CHUTES

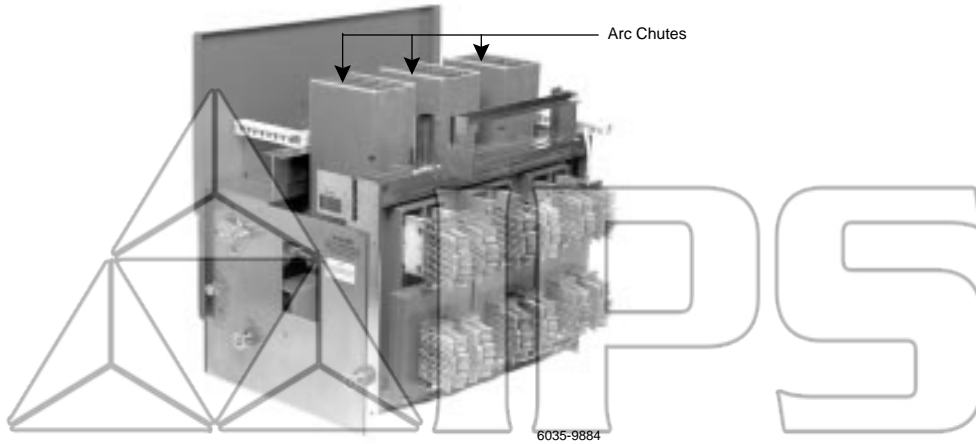


Figure 20: DS-840 without Barriers



Figure 21:



Figure 23:

store.ips.us



Figure 22:



Figure 24:

Breaker Type	Figure Number	Number Required Per Breaker	Arc Chute Kit (Includes 3) Style Number
DS-206, DSL-206, DSII-308, DSLII-308	21	3	1A33568G01
DS-206E, DS-206H, DS-206S, DS-416, DS-416H, DS-416S, DSL-416, DS-420, DSII-508, DSII-608, DSII-516, DSII-616, DSII-620, DSLII-516	22	3	1A33568G02
DS-632, DSII-632	23	3	1A33568G03
DS-840, DSII-840	24	3	1A33568G04

BARRIERS

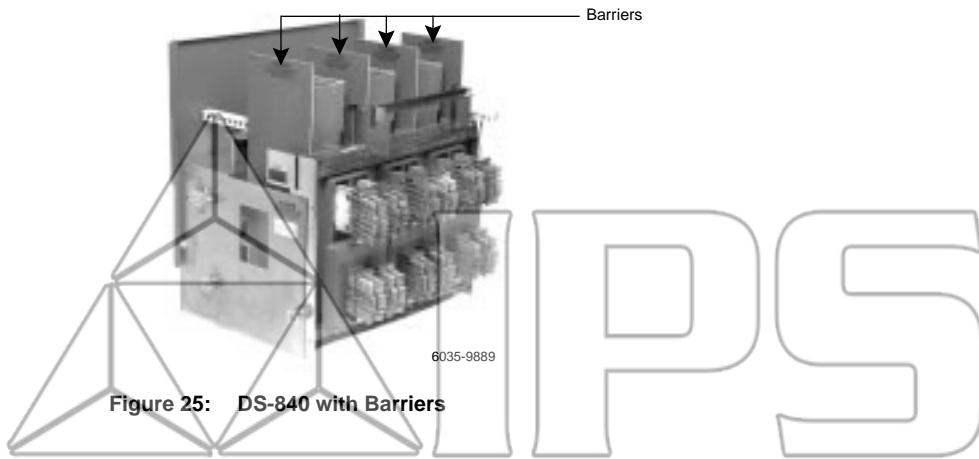


Figure 25: DS-840 with Barriers



Figure 26:

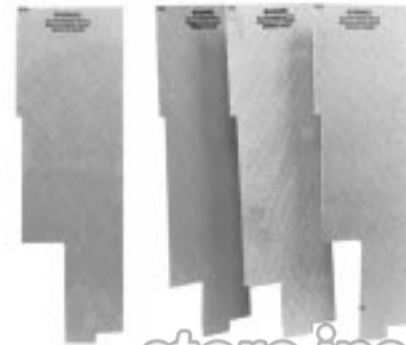


Figure 28:

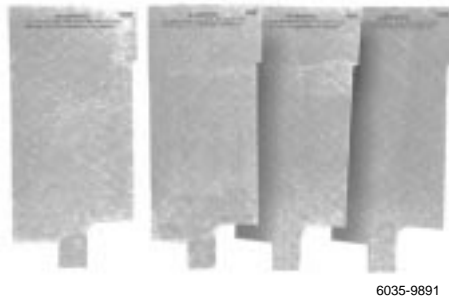


Figure 27:



Figure 29:

Breaker Type	Figure Number	Number Required Per Breaker	Barrier Kit (Includes 4) Style Number
DS-206, DSL-206, DSII-308, DSLII-308	26	4	1A33569G01
DS-206E, DS-206H, DS-206S DS-416, DS-416H, DS-416S, DSL-416, DS-420, DSII-508, DSII-516, DSII-608, DSII-616, DSII-620, DSLII-516	27	4	1A33569G02
DS-632, DSII-632	28	4	1A33569G04
DS-840, DSII-840	29	4	1A33569G05

**MAIN
DISCONNECT
CONTACT
ASSEMBLY**

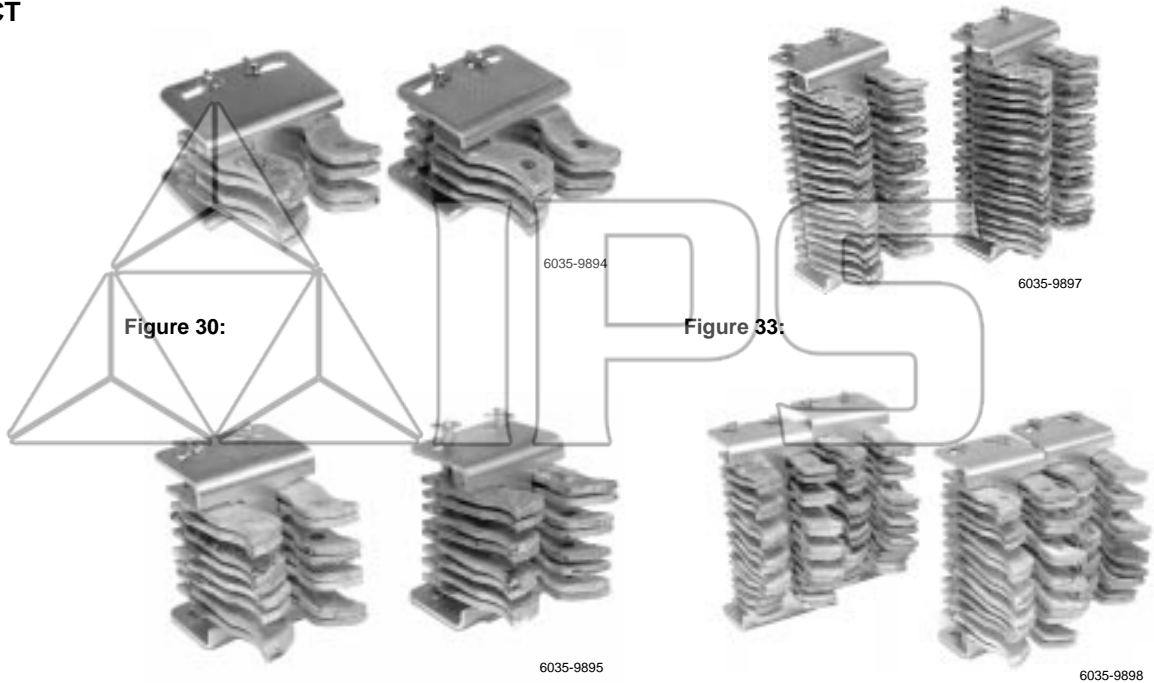


Figure 31:

Figure 34:



Figure 32:

store.ips.us

Breaker Type	Maximum Amp. Rating	Figure Number	Number Required Per Breaker	Main Disconnect Contact Assembly Kit ①
DS-206, DSL-206, DSII-308, DSLII-308	800	30	6	1A33570G01
DS-206H, DS-206S, DS-416, DSL-416, DSII-508, DSII-516, DSLII-516	1600	31	6	1A33570G02
DS-206E, DS-416H, DS-416S, DS-420, DSII-608, DSII-616, DSII-620	2000	32	6	1A33570G03
DS-632, DSII-632	3200	33	6	1A33570G04
DS-840, DSII-840	4000	34	12	1A33570G05

① A kit includes the total number of main disconnect contact assemblies required for one breaker.

MECHANISM



Figure 35: Levering Mechanism Assembly



Figure 36: Crank Kit

Description	Figure Number	Number Required Per Breaker	All Types DS/DSL DSII/DSLII except DS-632, DSII-632, DS-840, DSII-840 Style Number	DS-632, DSII-632 Style Number	DS-840, DSII-840 Style Number
Levering Mechanism Assembly	35	1	449D224G04	449D224G04	449D224G05
Crank Kit includes: Crank Arm with Roller, Special Bolt and Elastic Stop Nut	36	2	3838A95G01	3838A95G02	3838A95G03

MECHANISM AND RELATED PARTS



Figure 37: Electrically Operated with Closing Spring



Figure 40: Emergency Charge Handle Kit



Figure 43: Opening Spring



Figure 38: Manual Mechanism with Closing Spring



Figure 41: Manual Charge Handle Kit with Charging Cams



Figure 44: Trip Shaft Kit



Figure 39: Closing Spring Assembly



Figure 42: Oscillator Assembly Kit



Figure 45: Hold Pawl and Ratchet Kit

Description	Figure Number	Number Required Per Breaker	ALL DS/DSL, DSII/DSLII except DS-632, DS-840, DSII-632, DSII-840		DS-632, DS-840, DSII-632, DSII-840	
			Electrically Operated Style Number	Manually Operated Style Number	Electrically Operated Style Number	Manually Operated Style Number
Mechanism Assembly without Closing Spring Includes: Main Drive Link Assembly (with roller) Oscillator Assembly Oscillator Reset Spring Emergency Charge Device Trip Latch, Trip Lever (for Motor Cutoff Switch) Trip Latch Reset Spring	37	1	567F759G02	N/A	567F759G04	N/A
Mechanism Assembly without Closing Spring Includes: Main Drive Link Assembly (with roller) Trip Latch, Trip Lever (for Motor Cutoff Switch) Trip Latch Reset Spring	38	1	N/A	567F759G01	N/A	567F759G07
Closing Spring Assembly Includes: Closing Spring and Spring Ends	39	2			791A671G03	791A671G03
DS-206, DS-206S, DSL-206, DSII-308, DSLII-308	39	2	349A521G01	349A521G01		
DS-206H, DS-416, DS-416S DSL-416, DSII-508, DSII-516, DSLII-516	39	2	791A671G02	791A671G02		
DS-206E, DS-416H, DS-420, DSII-608, DSII-616, DSII-620	39	2	791A671G01	791A671G01		
Emergency Charge Handle Kit Includes: Emergency Charge Device and Emergency Charge Handle	40	1	3838A96G02	N/A	3838A96G02	N/A
Manual Charge Handle Kit Includes: Manual Charge Assembly and Manual Charge Handle and Charging Cams	41	1	N/A	3838A96G01	N/A	3838A96G01
Oscillator Assembly Kit Includes: Oscillator Assembly, and Oscillator Reset Spring	42	1	1A33566G01	N/A	1A35566G01	N/A
Opening Spring	43	2	698B907H01	698B907H01	698B907H01 ①	698B907H01 ①
Trip Shaft Kit Includes: Trip Shaft Lever, Trip Shaft, and Trip Shaft Return Spring	44	1	1A33567G01	1A33567G01	1A33567G01	1A33567G01
Hold Pawl and Ratchet Wheel Kit	45	1	1A33579G01	N/A	1A33579G01	N/A

① Two Opening springs are required for DS-632, DS-840, DSII-632, DSII-840

CONTROL COMPONENTS



Figure 46: Spring Charging Motor Kit



Figure 47: Anti-Pump Relay



Figure 48: Undervoltage Trip Assembly



Figure 49: Latch Check Switch

Description	Figure Number	Voltage	DS/DSL DSII/DSLII except DS-840 DSII-840 Style Number	DS-840 DSII-840 Style Number
Spring Charging Motor Kit Includes: Motor Crank, Roller, Connectors, Mtg. Bracket and Hardware	46	48 DC	449D431G03	449D431G03
		125 DC	449D431G01	449D431G01
		250 DC	449D431G02	449D431G02
Anti-Pump Relay	47	120 60HZ	449D431G01	449D431G01
		240 60HZ	449D431G02	449D431G02
		48DC	8293A05G03	8293A05G03
		125DC	8293A05G04	8293A05G04
UNDERVOLTAGE TRIP ASSEMBLY WITH WIRES ① (INSTANTANEOUS)	48	250DC	8293A05G05	8293A05G05
		120 60HZ	8293A05G01	8293A05G01
		240 60HZ	8293A05G02	8293A05G02
		120 60HZ	3752A05G01	3752A25G01
		208 60HZ	3752A05G02	3752A25G02
		240 60HZ	3752A05G03	3752A25G03
		480 60HZ	3752A05G04	3752A25G04
		48 DC	3752A05G05	3752A25G05
		125 DC	3752A05G06	3752A25G06
		250 DC	3752A05G07	3752A25G07
		24 DC	3752A45G01	3752A45G01
		115 50HZ	3752A45G02	3752A45G02
208 50HZ	3752A45G03	3752A45G03		
230 50HZ	3752A45G04	3752A45G04		
400 50HZ	3752A45G05	3752A45G05		
415 50HZ	3752A45G05	3752A45G05		
480 50HZ	3752A45G06	3752A45G06		
UNDERVOLTAGE TRIP ASSEMBLY WITH WIRES ① (TIME DELAY)	48	120 60HZ	3752A06G01	3752A26G01
		208 60HZ	3752A06G02	3752A26G02
		240 60HZ	3752A06G03	3752A26G03
		480 60HZ	3752A06G04	3752A26G04
		48 DC	3752A06G05	3752A26G05
		125 DC	3752A06G06	3752A26G06
		250 DC	3752A06G07	3752A26G07
		24 DC	3752A46G01	3752A46G01
		115 50HZ	3752A46G02	3752A46G02
		208 50HZ	3752A46G03	3752A46G03
		230 50HZ	3752A46G04	3752A46G04
		400 50HZ	3752A46G05	3752A46G05
415 50HZ	3752A46G05	3752A46G05		
480 50HZ	3752A46G06	3752A46G06		
LATCH CHECK SWITCH	49	ALL	140D161G01	140D161G01

① Replacement shunt trip, spring release and undervoltage trip are complete assemblies and include mounting hardware and wire leads (not shown). If adding shunt trip, spring release or undervoltage trip to manual breakers; an auxiliary switch (page 14), and wiring guide kit (page 19) are required. Confirm that secondary contacts exist in the rear of the breaker. All changes or additions on the breaker should be wired per the standard drawing 44021-500 and indicate the change on the breaker nameplate.

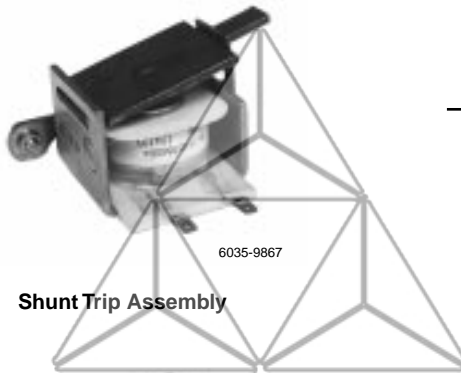


Figure 50: Shunt Trip Assembly



Figure 51: Overcurrent Trip Switch Manual Reset



Figure 52: Spring Release Assembly



Figure 53: Motor Cut-Off Switch

Description	Figure Number	Voltage	DS/DSL DSII/DSLII except DS-840 DSII-840 Style Number	DS-840 DSII-840 Style Number
Shunt trip Assembly ① with wires	50	24 DC	3752A02G01	3752A22G01
		32 DC	3752A02G02	3752A22G02
		48 DC	3752A02G03	3752A22G03
		125 DC	3752A02G04	3752A22G04
		250 DC	3752A02G05	3752A22G05
		120 60HZ	3752A02G06	3752A22G06
		240 60HZ	3752A02G07	3752A22G07
		For use with Capacitor Trip (125VDC)	3752A02G08	3752A22G08
Overcurrent Trip Switch Manual Reset (2 Cont. with wires)	51	ALL	3752A04G01	3752A24G01
Overcurrent Trip Switch Manual Reset (3 Cont. with wires)	51	ALL	3752A04G02	3752A24G02
Overcurrent Trip Switch Manual Reset (4 Cont. with wires)	51	ALL	3752A04G03	3752A24G03
Overcurrent Trip Switch Electrical Reset Includes: coil (2 Cont. with wires)	51	48 DC	3752A04G04	3752A24G04
		115 AC	3752A04G05	3752A24G05
		125 DC	3752A04G06	3752A24G06
		230 AC	3752A04G07	3752A24G07
		250 DC	3752A04G08	3752A24G08
Overcurrent Trip Switch Electrical Reset includes coil (3 Cont. with wires)	51	48 DC	3752A04G09	3752A24G09
		115 AC	3752A04G10	3752A24G10
		125 DC	3752A04G11	3752A24G11
		230 AC	3752A04G12	3752A24G12
		250 DC	3752A04G13	3752A24G13
Spring Release Assembly ① with wires	52	48 DC	3752A03G01	3752A23G01
		125 DC	3752A03G02	3752A23G02
		250 DC	3752A03G03	3752A23G03
		120 60HZ	3752A03G04	3752A23G04
		240 60HZ	3752A03G05	3752A23G05
Motor Cut-off Switch Includes: Mounting Bracket and Insulation	53	ALL	567F430G06	567F430G06

① Replacement shunt trip, spring release and undervoltage trip are complete assemblies and include mounting hardware and wire leads (not shown). If adding shunt trip, spring release or undervoltage trip to manual breakers; an auxiliary switch (page 14), and wiring guide kit (page 19) are required. Confirm that secondary contacts exist in the rear of the breaker. All changes or additions on the breaker should be wired per the standard drawing 44021-500 and indicate the change on the breaker nameplate.

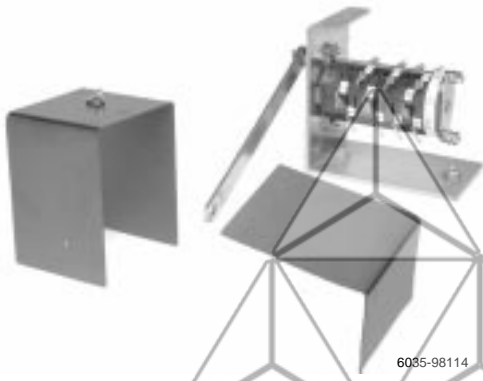


Figure 54: New Auxiliary Switch Assembly Kit (round) - one high

New Auxiliary Switch Assembly Kit (round) ① (Includes mounting bracket, switch, covers, and screw)	Style Number
1 High Assembly Kit	1A33571G01
2 High Assembly Kit	1A33571G02
Additional Auxiliary Switch Assembly with cover (rectangular) ②	
2nd Auxiliary Switch	697B536G08
3rd Auxiliary Switch	697B536G09
Replacement Auxiliary Switches Assembly (rectangular) ③ (Includes: switch, drive link and hardware)	
1st Auxiliary Switch (ABAB only)	697B536G04
2nd Auxiliary Switch	697B536G05
3rd Auxiliary Switch	697B536G06
Replacement Auxiliary Switch Only (rectangular)	
ABAB Auxiliary Switch	449D622G33
AAAA Auxiliary Switch	449D622G34
BBBB Auxiliary Switch	449D622G35
AAAB Auxiliary Switch	449D622G36
ABBB Auxiliary Switch	449D622G37
A = N.O. B= N.C.	

- ① When adding an auxiliary switch, be sure that the wiring guides are installed. There are three wiring guides and they are located as follows: one inside and one outside on the left side of the breaker, and one between the right side of the trip unit and the auxiliary switch. Refer to Figure 1 on page 1 and Figure 2 on page 1 for location and to page 19 for style numbers. Additional secondary contacts and covers may be required. Refer to Figure 3 on page 2 and page 19 for the style number.
- ② For adding to breakers with existing rectangular auxiliary switches.
- ③ Used for replacement only of existing rectangular auxiliary switches.

AUTOMATIC TRIPPING STSTEMS

store.ips.us



6035-98115

Figure 55: Direct Trip Actuator (DTA)

Direct Trip Actuator (DTA)	Style Number
For use with Digitrip box	6482C55G28
For use with Digitrip Mounting	6482C55G11

Digitrip Mounting

Type of Trip Unit	Figure Number	Style Number
510 with Gnd	56	694C735G01
510 without Gnd	56	694C735G02
610 with Gnd	56	694C735G03
610 without Gnd	56	694C735G04
810D with Gnd, ATR, and PT module	56	694C735G05
810D without Gnd and with ATR and PT module	56	694C735G06

Auxiliary CT Mounting

Type	Figure Number	Style Number
with Gnd	57	694C740G01
without Gnd	57	694C740G02

Digitrip (Figure 58)

Trip Unit	Trip Functions	Style Number
510	LI	7829C05G01
510	LSI	7829C05G02
510	LS	7829C05G03
510	LIG	7829C05G04
510	LSG	7829C05G05
510	LSIG	7829C05G06

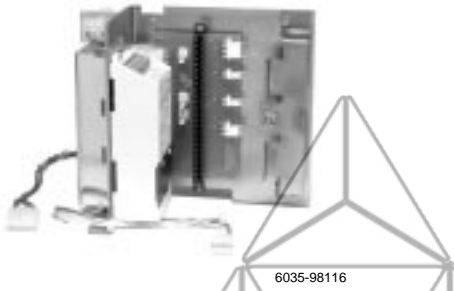


Figure 56: Digitrip Mounting with ATR and PT Module



Figure 57: Auxiliary CT Mounting (for use with Digitrip Mounting)



Figure 58: Digitrip with Rating Plug

Digitrip (Figure 58)

610	LI	7829C10G01
610	LSI	7829C10G02
610	LS	7829C10G03
610	LIG	7829C10G04
610	LSG	7829C10G05
610	LSIG	7829C10G06
810D	LI	7829C54G01
810D	LSI	7829C54G02
810D	LS	7829C54G03
810D	LIG	7829C54G04
810D	LSG	7829C54G05
810D	LSIG	7829C54G06

Digitrip Rating Plugs

Digitrip Rating Plugs for 510, 610, 810D

Rated Current I_n	Current Sensor Rating	Hertz	Style Number
100	200	50/60	3D86734G01
200	200	50/60	3D86734G02
200	300	50/60	3D86734G03
250	300	50/60	3D86734G04
300	300	50/60	3D86734G05
200	400	50/60	3D86734G06
250	400	50/60	3D86734G07
300	400	50/60	3D86734G08
400	400	50/60	3D86734G09
300	600	50/60	3D86734G10
400	600	50/60	3D86734G11
600	600	50/60	3D86734G12
400	800	50/60	3D86734G13
600	800	50/60	3D86734G14
800	800	50/60	3D86734G15
600	1200	50/60	3D86734G16
800	1200	50/60	3D86734G17
1000	1200	50/60	3D86734G18
1200	1200	50/60	3D86734G19
800	1600	50/60	3D86734G20
1000	1600	50/60	3D86734G21
1200	1600	50/60	3D86734G22
1600	1600	50/60	3D86734G23
1000	2000	50/60	3D86734G24
1200	2000	50/60	3D86734G25
1600	2000	50/60	3D86734G26
2000	2000	50/60	3D86734G27
1600	2400	50/60	3D86734G28
2000	2400	50/60	3D86734G29
2400	2400	50/60	3D86734G30
1600	3200	50/60	3D86734G31
2000	3200	50/60	3D86734G32
2400	3200	50/60	3D86734G33
3000	3200	50/60	3D86734G42
3200	3200	50/60	3D86734G34
2000	4000	50/60	3D86734G35
2400	4000	50/60	3D86734G36
3200	4000	50/60	3D86734G37
4000	4000	50/60	3D86734G38
3200	5000	50/60	3D86734G39 ①
4000	5000	50/60	3D86734G40 ①
5000	5000	50/60	3D86734G41 ①

① For use with forced air cooled DS-840 only.

Current Sensors

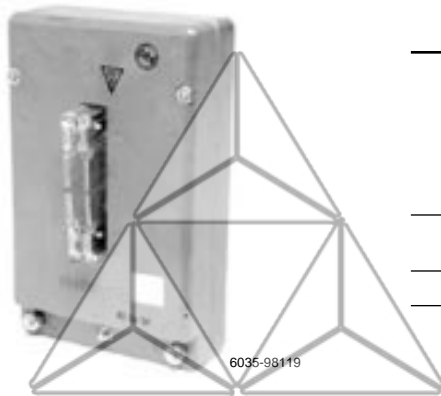


Figure 59: DS-206, DSII-308 Sensor with Spacer



Figure 60: DS-632, DSII-632 Sensor



Figure 61: DS-840, DSII-840 Sensor

Sensor Ampere Rating	Breaker Types	Breaker Frame Rating	Style Number ^①
100		800	151D995G01
150		800	151D995G15
200	ALL DS-206, DS-416, DS- 420	800	151D995G02
300	ALL DSII-308,DSII-508, DSII-608,	800	151D995G03
400	DSII-516, DSII-616, DSII-620	800	151D995G04
600		800	151D995G06
800		800	151D995G08
1200	All DS-416, DS-420	1600	151D995G12
1600	All DSII-516, DSII-616, DSII-620	1600	151D995G16
2000	DS-420, DSII-620	2000	151D995G20
2400		3200	151D995G23 ^②
2400		3200	151D995G24 ^③
3200	DS-632, DSII-632	3200	151D995G31 ^②
3200		3200	151D995G32 ^③
3200		3200	151D995G32 ^③
3200	DS-840, DSII-840	4000	588C734G02 ^④
4000		4000	588C734G01
5000	DS-850, DSII-850	4000	588C734G03 ^⑤
DS-206, DSII-308 Spacer Kit (For DS-206 & DSII-308 only. Not required for DS-206E, DS-206H, DS-206S, DSII-508, or DSII-608)			794A965G01 ^⑥

- ① These are replacements for sensors style 794A170G __ _ series, and are for phase or neutral use, except as noted.
- ② For neutral use only.
- ③ For phase use only.
- ④ For DS-840 and DSII-840 only.
- ⑤ For use with forced air cooled.
- ⑥ Kit includes 2 spacers.

store.ips.us

CURRENT LIMITING BREAKERS

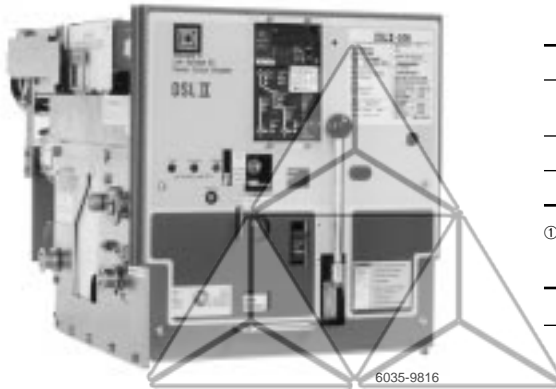


Figure 62: DSLII-516 (Front View)



Figure 63: DSLII-516 without Barriers (Rear View)

Description	Number Required Per Breaker	Style Number
Blown Limiter Indicator Assembly	1	140D777G01
Blown Limiter indicator Assembly (For fuse Truck)	1	140D777G03
Isolating Transformer Assembly	1	591C755G01 ①
Isolating Transformer Only	3	795A823H01

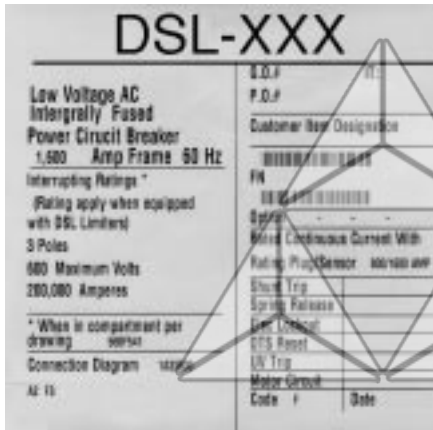
① Includes 3 transformers.

Current Limiters			
Breaker Type	Number Required Per Breaker	Amp Rating	Style Number
DSL-206, DSLII-308	3	150	140D316G01
DSL-206, DSLII-308	3	200	140D316G02
DSL-206, DSLII-308	3	250	140D316G03
DSL-206, DSLII-308	3	300	140D316G04
DSL-206, DSLII-308	3	400	140D316G05
DSL-206, DSLII-308	3	600	140D316G06
DSL-206, DSLII-308	3	800	140D316G07
DSL-206, DSLII-308	3	1200	140D316G10
DSL-206, DSLII-308	3	1600	140D316G11
DSL-206, DSLII-308	3	2000	140D316G12
DSL-416, DSLII-516	3	800	151D932G01
DSL-416, DSLII-516	3	1000	151D932G02
DSL-416, DSLII-516	3	1200	151D932G03
DSL-416, DSLII-516	3	1600	151D932G04
DSL-416, DSLII-516	3	2000	151D932G05
DSL-416, DSLII-516	3	2500	151D932G09
DSL-416, DSLII-516	3	3000	151D932G10

Drawout Fuse Truck Type Current Limiters			
Truck Type	Number Required Per Breaker	Amp Rating	Style Number
DSL-3200	3	2500	5980C01G01 ②
DSLII-3200	3	3000	5980C01G02 ②
	3	4000	5980C01G03 ②
DSL-4000	3	2500	5980C01G01 ②
DSLII-4000	3	3000	5980C01G02 ②
	3	4000	5980C01G03 ②
	3	5000	5980C01G04 ②

② Limiters are mounted on a separate fuse truck.

ACCESSORIES AND OTHER PARTS



6035-98124



6035-98127

Figure 64: Replacement Nameplate (DSL Shown)

Figure 67: Portable Lifter (Style Number RC1000)



6035-98125



6035-98128

Figure 65: DS and DSII Breaker Label Kit (Style Number 8187A84G01)

Figure 68: Lifting Yoke (Spreader Bar) (Style Number 44026-112-50, 44026-112-51)



6035-98126



6035-98129

Figure 66: DSL and DSLII Breaker Label Kit (Style Number 3831A07G01)

Figure 69: Levering-In Tool (Style Number 44050-307-37)

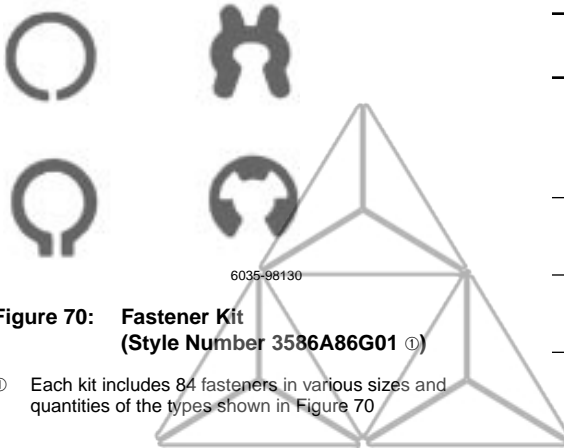


Figure 70: Fastener Kit
(Style Number 3586A86G01 ①)

① Each kit includes 84 fasteners in various sizes and quantities of the types shown in Figure 70



Figure 71: Finger Cluster Removal Tool
(Style Number 591C901G01)



Figure 72: Breaker Test Kit and Adapter
(Style Number 8779C02G02)

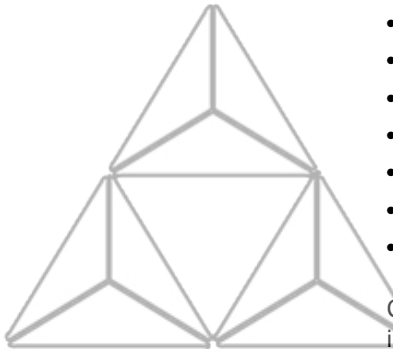


Figure 73: Test Kit Adapter
(Style Number 8779C02G03)

Description	Figure No.	Use	Application	Style Number
Replacement Nameplate	64	Used to replace the nameplates on the front of the breaker	DS Dummy DS Drawout DSL Fuse Truck DS Fixed	9194D95H61 ① 9194D95H63 ① 9194D95H64 ① 9194D95H65 ① 9194D95H67 ①
Secondary Disconnect Contact	3	For Disconnecting secondary control	DS/DSL	591C498G06
Secondary Disconnect Contact Cover	3	Covers top of secondary contacts	DS/DSL	503B569H01
Secondary Disconnect Mounting Frame with 8 point contact block	3	For replacing secondary disconnect mounting frame, or for adding to breaker originally supplied without secondary contacts	DS/DSL	591C498G07
Drawout Breaker Front Covers for Digitrip Box	3	Covers Front of Breaker	All DS (except DS-632 /DSII-632 DS-840/DSII-840) DS-632, DSII-632 DS-840, DSII-840 DSL-206 DSL-416 DSLII-308 DSLII-516	567F498H01 567F499H01 567F503H02 567F498H03 567F498H03 567F498H03 567F498H03
Escutcheon Plate	1	Mounts on front cover	All DS/DSII Breakers All DSL /DSLII Breakers	695C102H01 695C103H01
Breaker Roller Kit (double edge type) and Retaining Rings	3	To roll the breaker in and out of the housing (Set of four)	All Breakers	1A33578G01
Wiring Guide Kit	3	Guides for wiring	All DS (except DS-840) DS-840 All DSL Breaker	1A33588G01 151D418G01 1A33589G01
Wire Channels	3	Guides for wiring	DSII/DSLII	151D418G02
Wire Support Spacer	3	Spacer for wire channels	DSII/DSLII	3838A97H03
Secondary Contact Block Assembly	3	Disconnecting secondary control	DSII/DSLII	693C618G01
Right Hand Side Support	3	For mounting secondary contact blocks	DSII/DSLII	695C138H02
Secondary Contact Frame	3	For mounting secondary contact blocks	DSII/DSLII	695C149G01
Wire Support Bracket	3	Support wire channels	DSII/DSLII	795C072H02
Communications Receptacle Assembly	N/A	Disconnecting communications	DSII/DSLII	8063A80G01
Right Hand Wire Retainer	3	Guides for wiring	DSII	437B242H04
Right Hand Wire Retainer	3	Guides for wiring	DSLII	437B242H05
Right Hand Wire Through	3	Guides for wiring	DSLII-308,DSLII-416, DSLII-420	588C989H04

① Customer is to provide the following original information: GO, P.O., Item, FN and Option Numbers.

SWITCHGEAR CELL PROVISIONS AND UPGRADES



If the original switchgear has blank compartments or if an existing breaker needs to be upgraded, cell parts can be ordered. They typically include some or all of the following parts:

- Mounting pan, extension rails, and push-to-trip mechanism
- Interference brackets
- Polyester backplate (CT mounting plate)
- Line and load stabs
- Load bus runbacks, extensions, supports, and lug adapters
- Door with handle, hinge and trip button
- Gas and arc shields
- Seismic positioner

Contact your local Square D sales representative with the following information:

- Factory Order number
- Date of manufacture

RECOMMENDED SPARE PARTS FOR STOCK

The quantities listed are recommended for 5 breakers of the same rating. Items 8-10 are only required for electrically operated breakers. The reference page number contains the complete styles of the required parts. Where needed, fill in or complete the style numbers for your application and forward to your local Square D sales representative.

Item	Quantity	Description	Reference Page Number	Style Number
1	1	Pole Unit Assembly Main Disconnect Contact Assembly Kit Trip Shaft Kit	3-6	1A33570G__ 1A33576G01
2	1		9	
3	1		10	
4	1	Direct Trip Actuator (DTA)	14	6482C55G__
5	1	Opening Spring	10	698B907H01
6	1	Fastener Kit	19	3586A86G01
7	1	Secondary Disconnect Contact	20	591C498G06
8	1	Shunt Trip Assembly	13	3752A__G0__
9	1	Spring Release Assembly	13	3752A__G0__
10	1	Anti-Pump Relay	12	8293A05G__
11	1	Spring Charging Motor Kit	12	449D431G0__



store.ips.us




store.ips.us

Square D Company
1500 S. University Blvd.
Middletown, OH, 45044 USA
(513) 424-1601
www.squared.com

Trademark Acknowledgements

DIGITRIP is a registered trademark of Cutler-Hammer.

Square D, POWERLOGIC, SY/LINK, SY/MAX, SY/NET and  are registered trademarks of Square D Company. System Manager is a trademark of Square D Company. All other trademarks are the intellectual property of their respective companies.

Electrical equipment should be serviced only by qualified electrical maintenance personnel. No responsibility is assumed by Square D for any consequences arising out of the use of this material.

Bulletin No. 44021-997-01 February 1999 © 1999 Square D All Rights Reserved.
Replaces 6035-3 dated 10/92.